



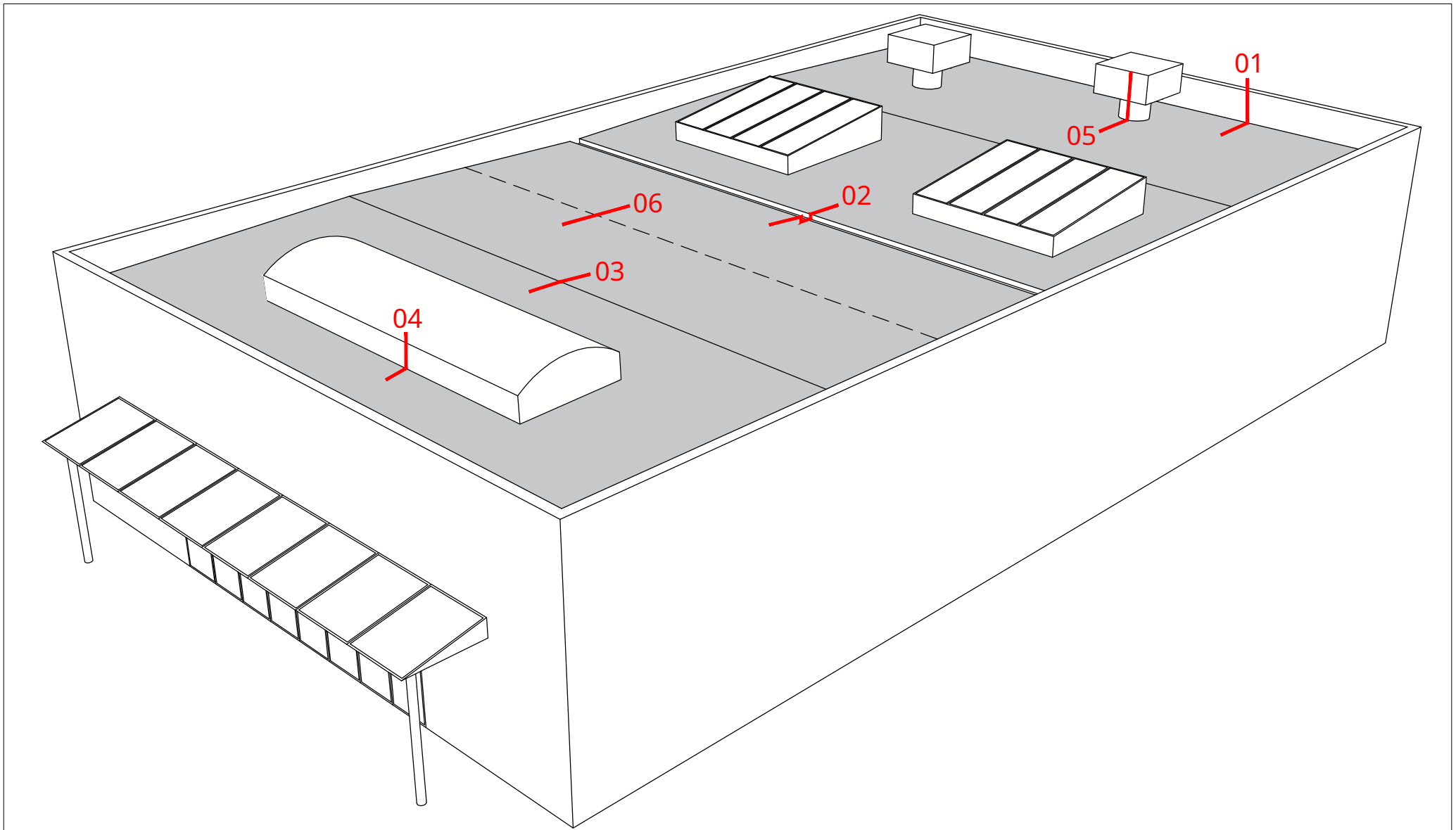
sound insulation • decorative acoustics

PHONOTECH DK ASSEMBLY INSTRUCTIONS

FLAT ROOF



+32 (0)87 33 33 30
info@phonotech.com
www.phonotech.com



Detail 1. Vertical section at the parapet or bank

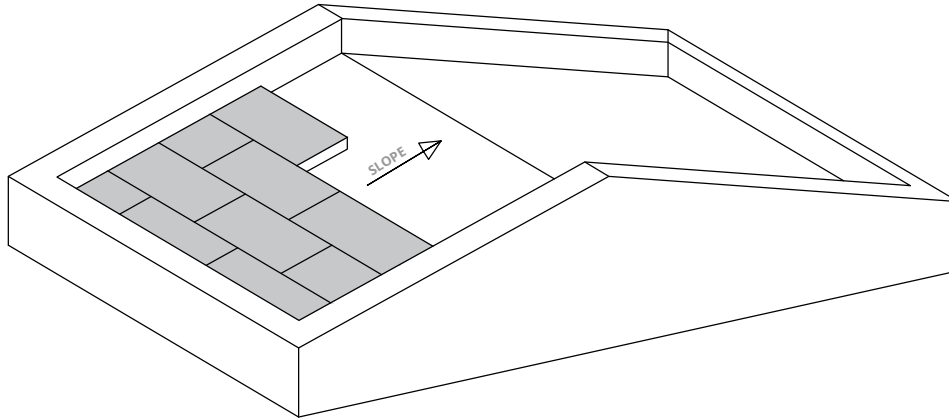
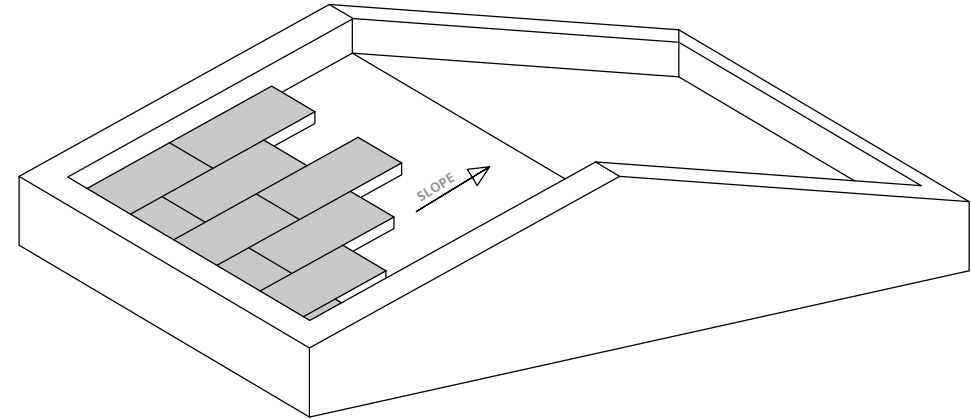
Detail 2. Vertical section at the valley or CIP

Detail 3. Vertical section at dome

Detail 4. Vertical section to the right of skylight

Detail 5. Vertical section at technical passage (duct, etc.)

Detail 6. Vertical section of an expansion joint

INSTALLATION MODE OF THE DK PANEL =PARALLELINSTALLATION MODE OF THE DK PANEL =PERPENDICULAR

As a reminder, in accordance with the "PHONOTECH DK" Technical Notice of 02.01.2023 (5.2/18-2602_V2):

1) Fixing the acoustic mattress rules on the particle boards:

Ø4.8 mm screw in SUPERCOAT 2C treated case-hardened steel, Ø12mm flat head, characteristic resistance PK to tearing in a wooden support ≥ 150 daN (for a support thickness of 18mm, according to standard NF P 30-310).

The screw length is:

- * 50mm if the supporting particle board is single layer;
- * 65mm if the supporting particle board is in double layer of one thickness \geq at 32mm

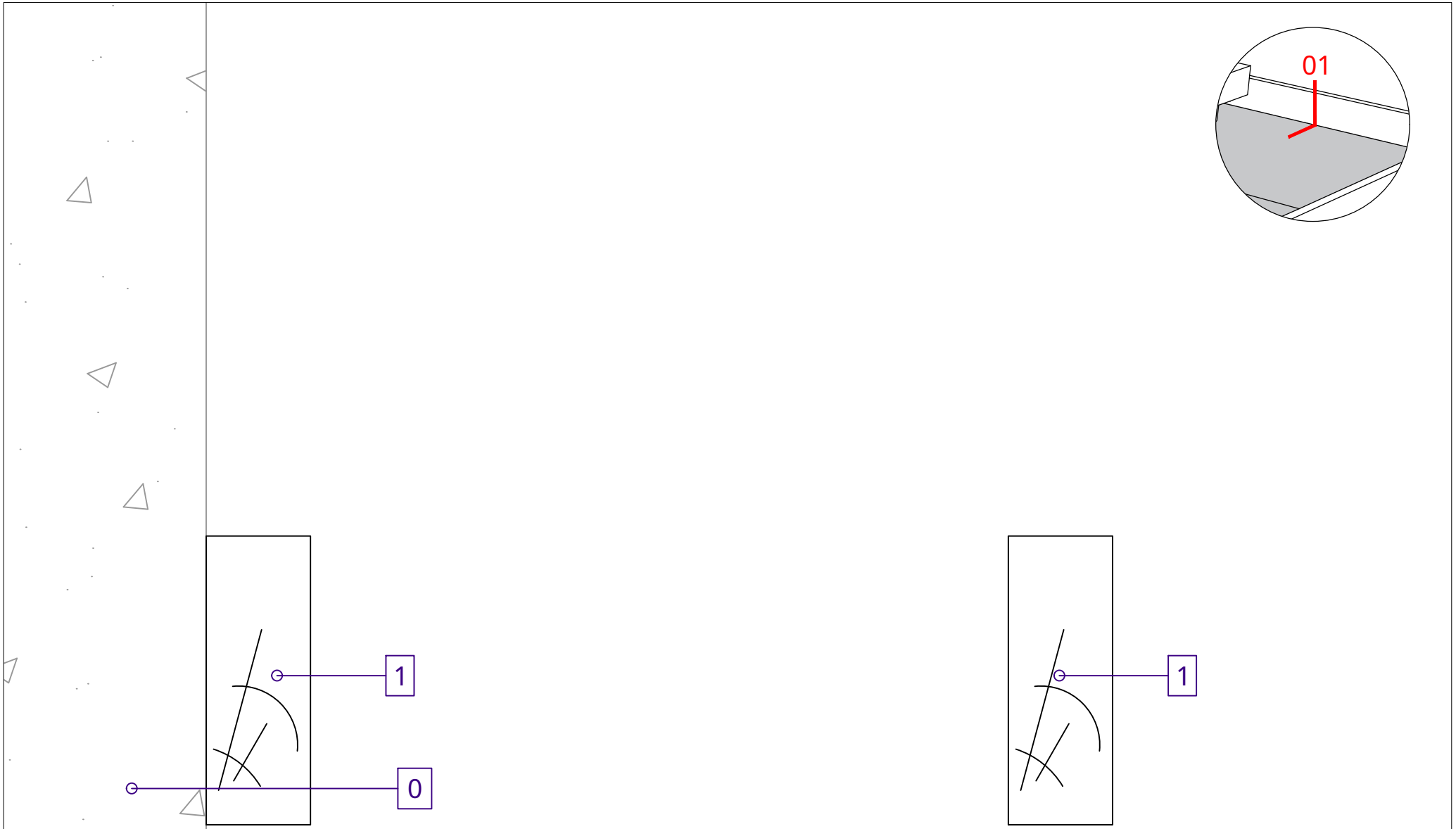
Example: ETANCO EVF screw

The screw is associated with a zinc-plated steel washer 1.25mm thick, with an external Ø of 30mm and a hole of Ø6.4mm.

2) Fixing the PHONOTECH DK particle board to an assembly rule (RM) or starting rule (RD):

Screw Ø4.8 mm x 50mm (length) in case-hardened steel treated with SUPERCOAT 2C, flat head Ø12mm, characteristic resistance PK to tearing in a wooden support ≥ 150 daN (for a support thickness of 18mm, according to standard NF P 30-310).

Example: ETANCO EVF screw

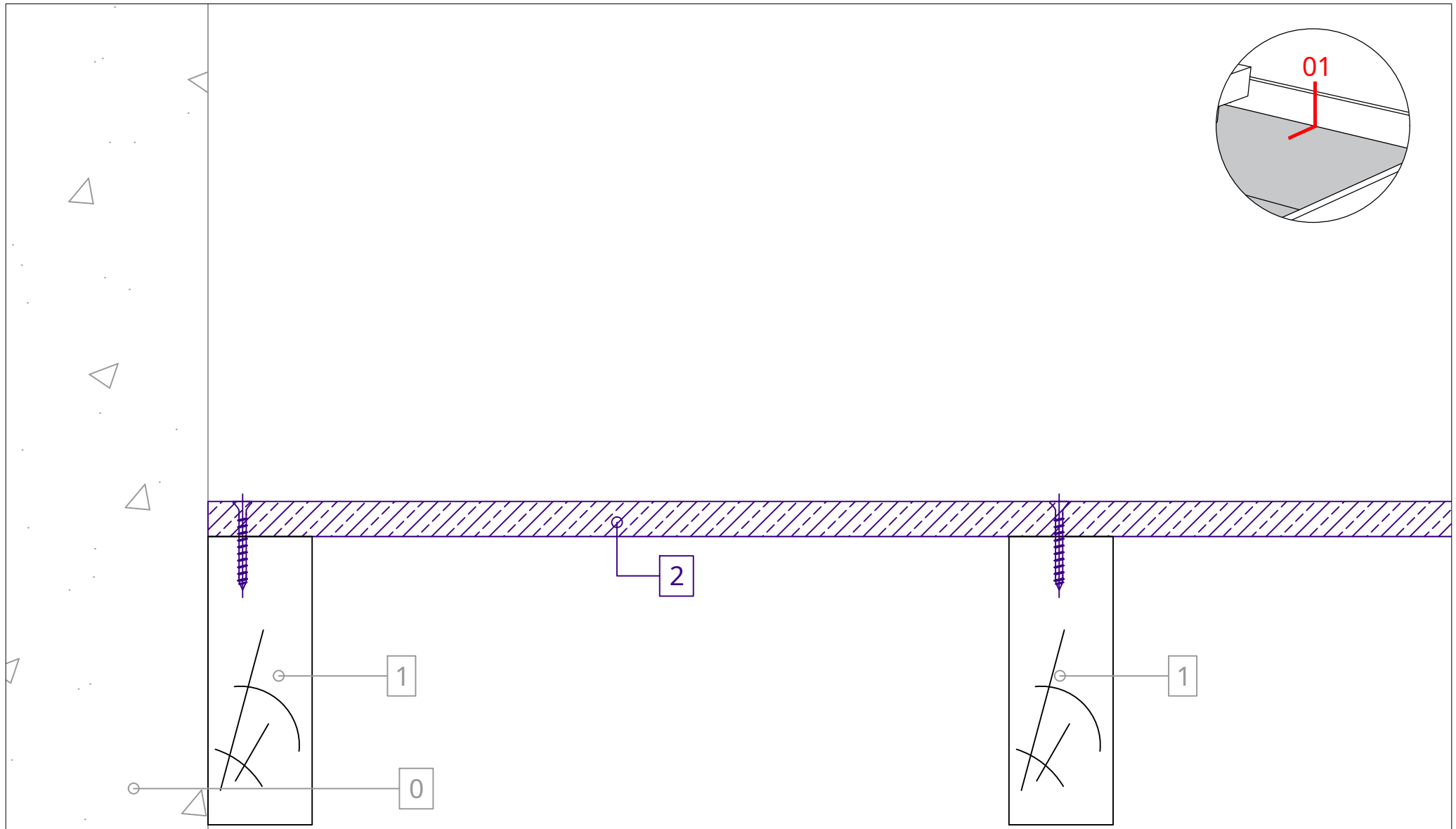


0. Building structure

- 1. Supporting structure (frame) of the roof
- 2. P5 grooved/tongued chipboard, installation with alternate joints
- 3. Vapor barrier

4. PHONOTECH RD starting rule

- 5. PHONOTECH DK acoustic panels (600 x 1200 mm)
- 6. Waterproofing membrane



0. Building structure

1. Supporting structure (frame) of the roof

2. P5 grooved/tongued chipboard, installation with alternate joints

3. Vapor barrier

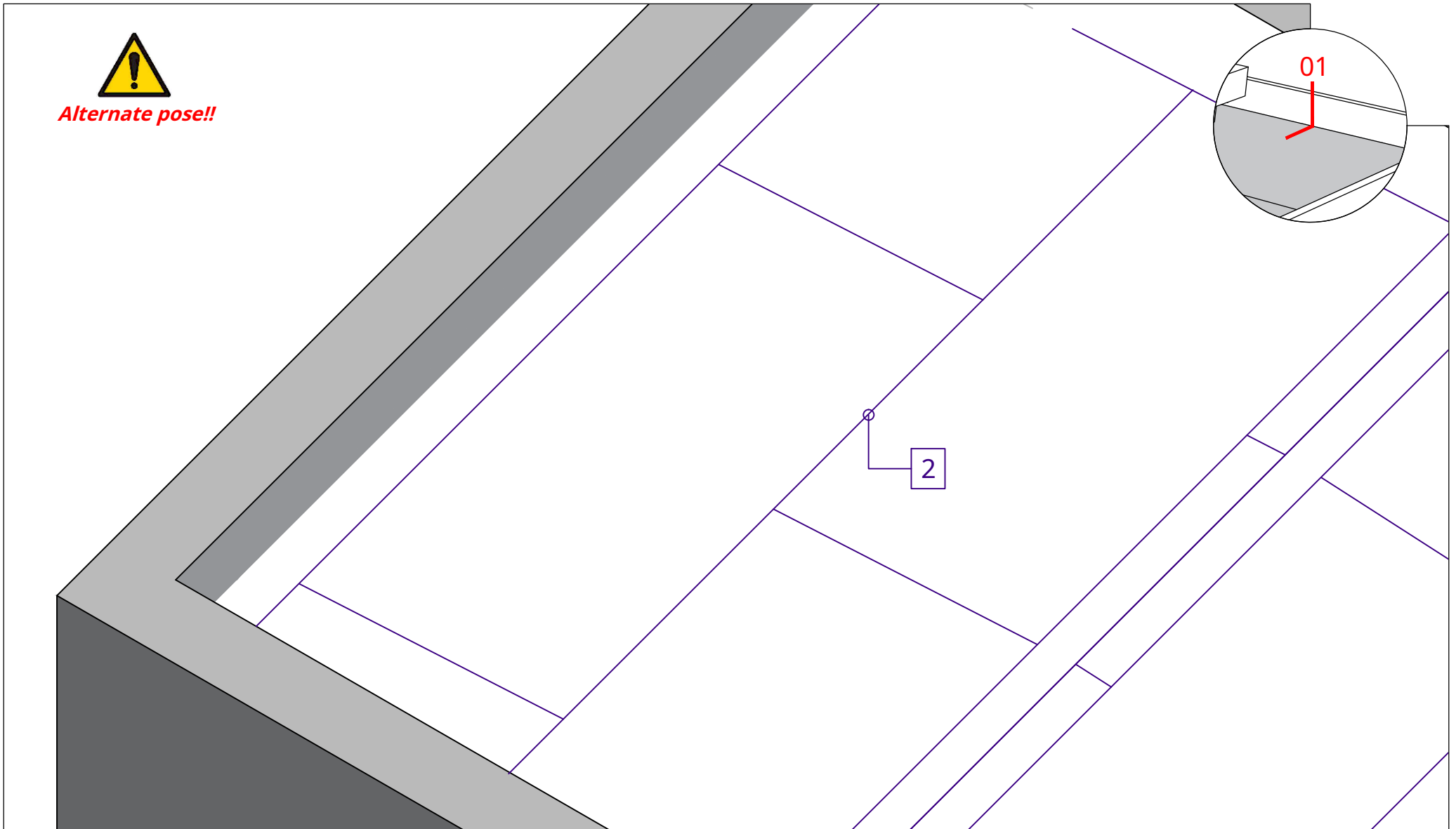
4. PHONOTECH RD starting rule

5. PHONOTECH DK acoustic panels (600 x 1200 mm)

6. Waterproofing membrane



Alternate pose!!



0. Building structure

1. Supporting structure (frame) of the roof

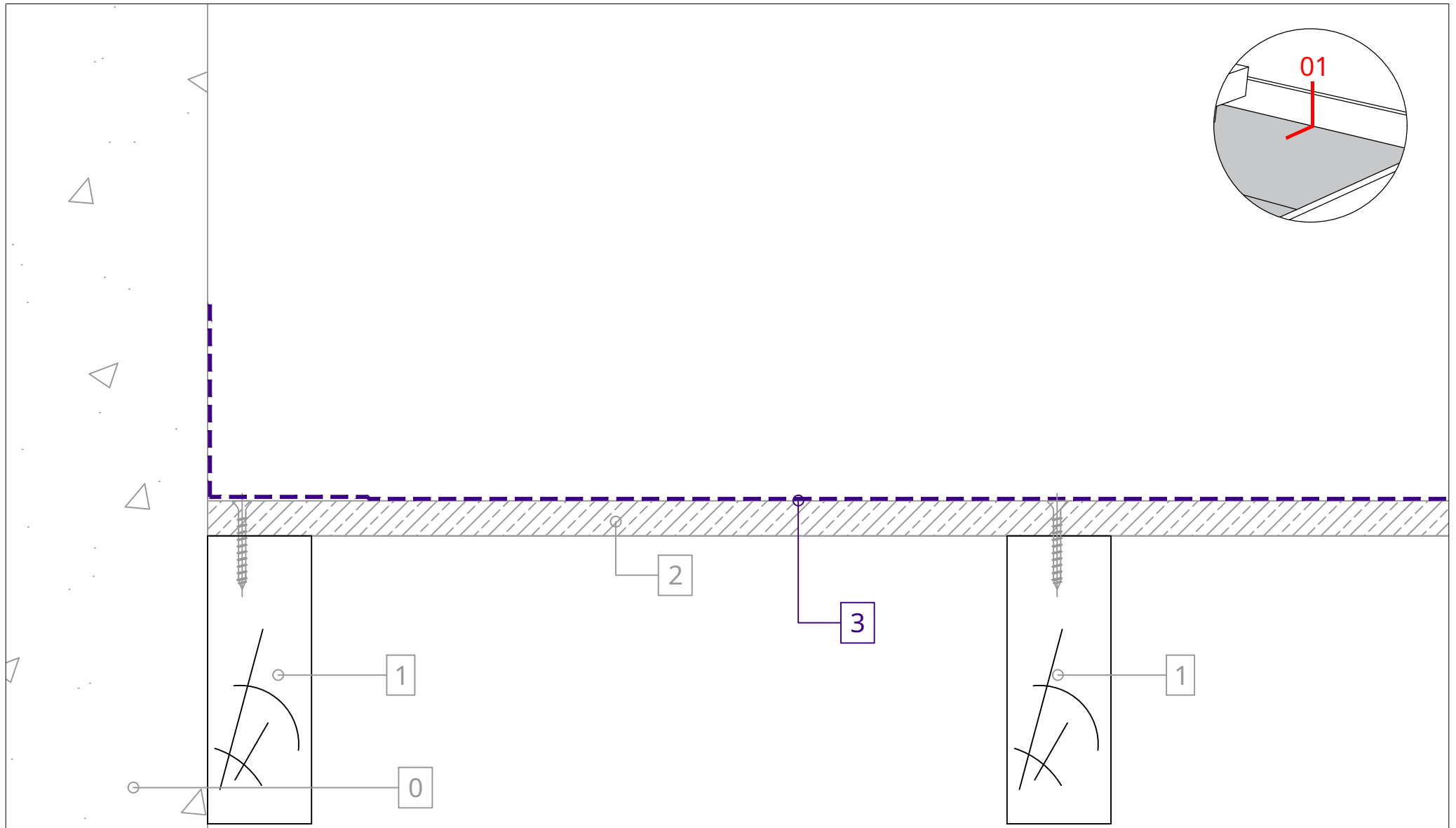
2. P5 grooved/tongued chipboard, installation with alternate joints

3. Vapor barrier

4. PHONOTECH RD starting rule

5. PHONOTECH DK acoustic panels (600 x 1200 mm)

6. Waterproofing membrane



0. Building structure

1. Supporting structure (frame) of the roof

2. P5 grooved/tongued chipboard, installation with alternate joints

3. Vapor barrier

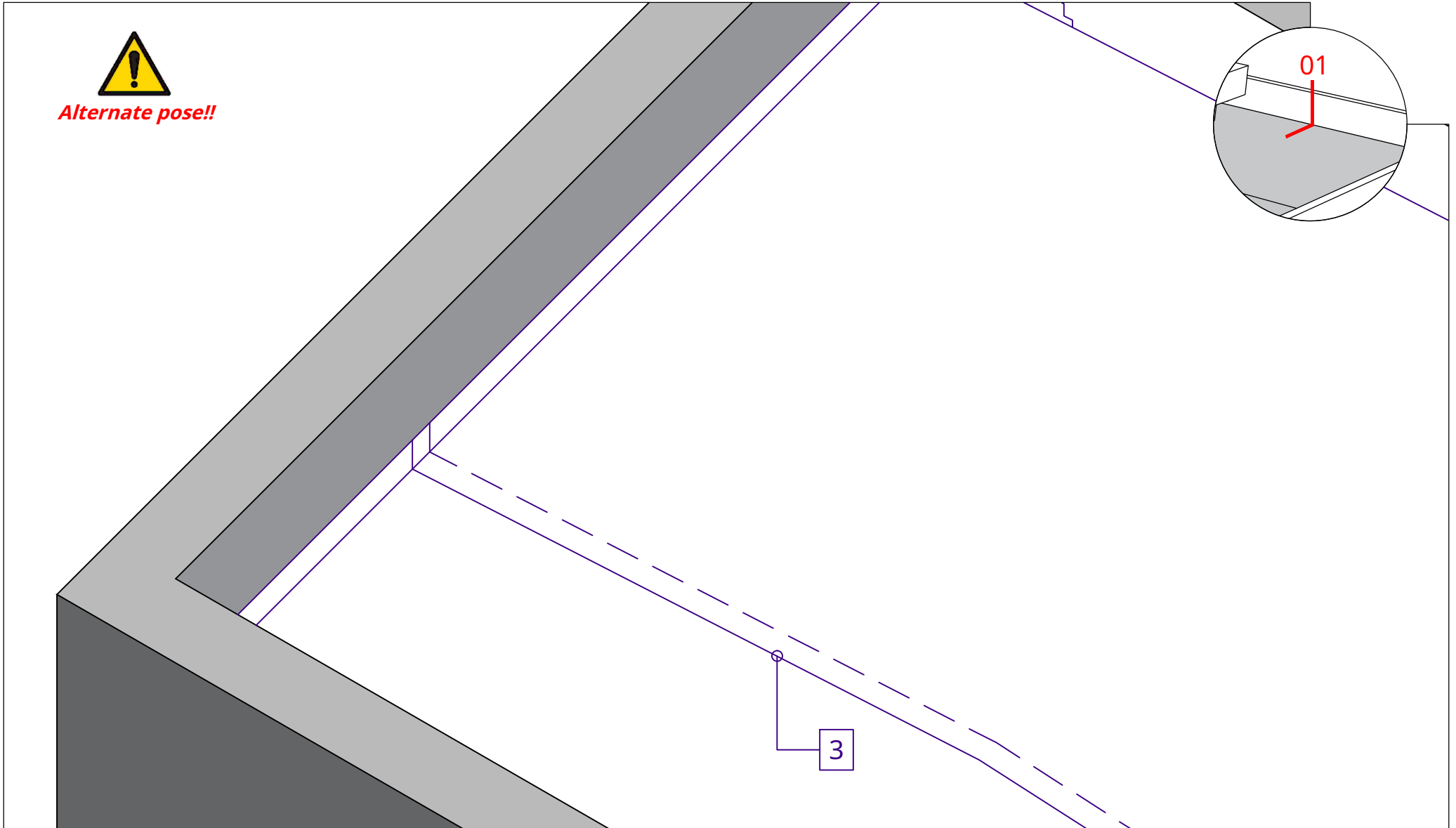
4. PHONOTECH RD starting rule

5. PHONOTECH DK acoustic panels (600 x 1200 mm)

6. Waterproofing membrane



Alternate pose!!



0. Building structure

1. Supporting structure (frame) of the roof

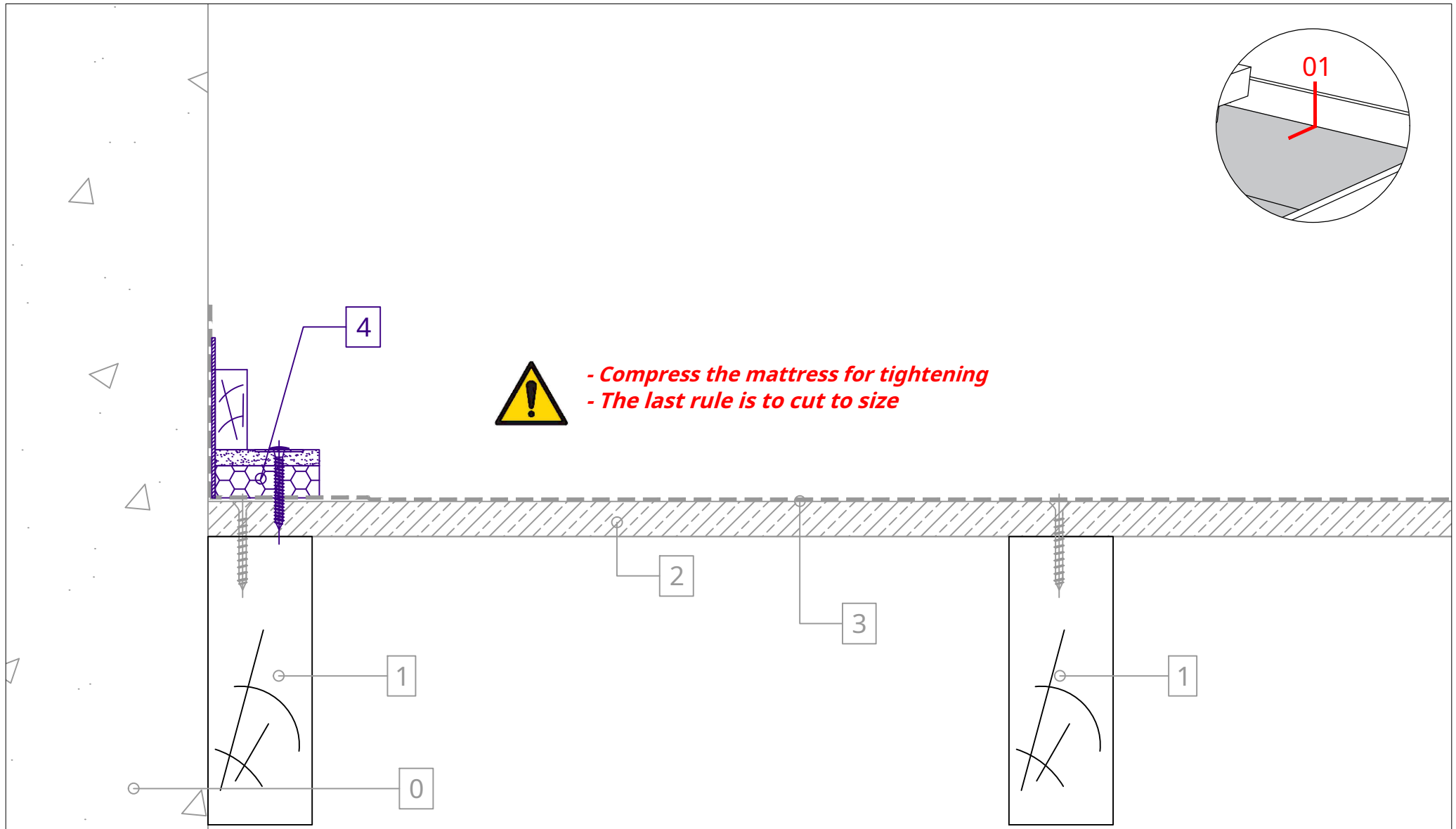
2. P5 grooved/tongued chipboard, installation with alternate joints

3. Vapor barrier

4. PHONOTECH RD starting rule

5. PHONOTECH DK acoustic panels (600 x 1200 mm)

6. Waterproofing membrane



0. Building structure

1. Supporting structure (frame) of the roof

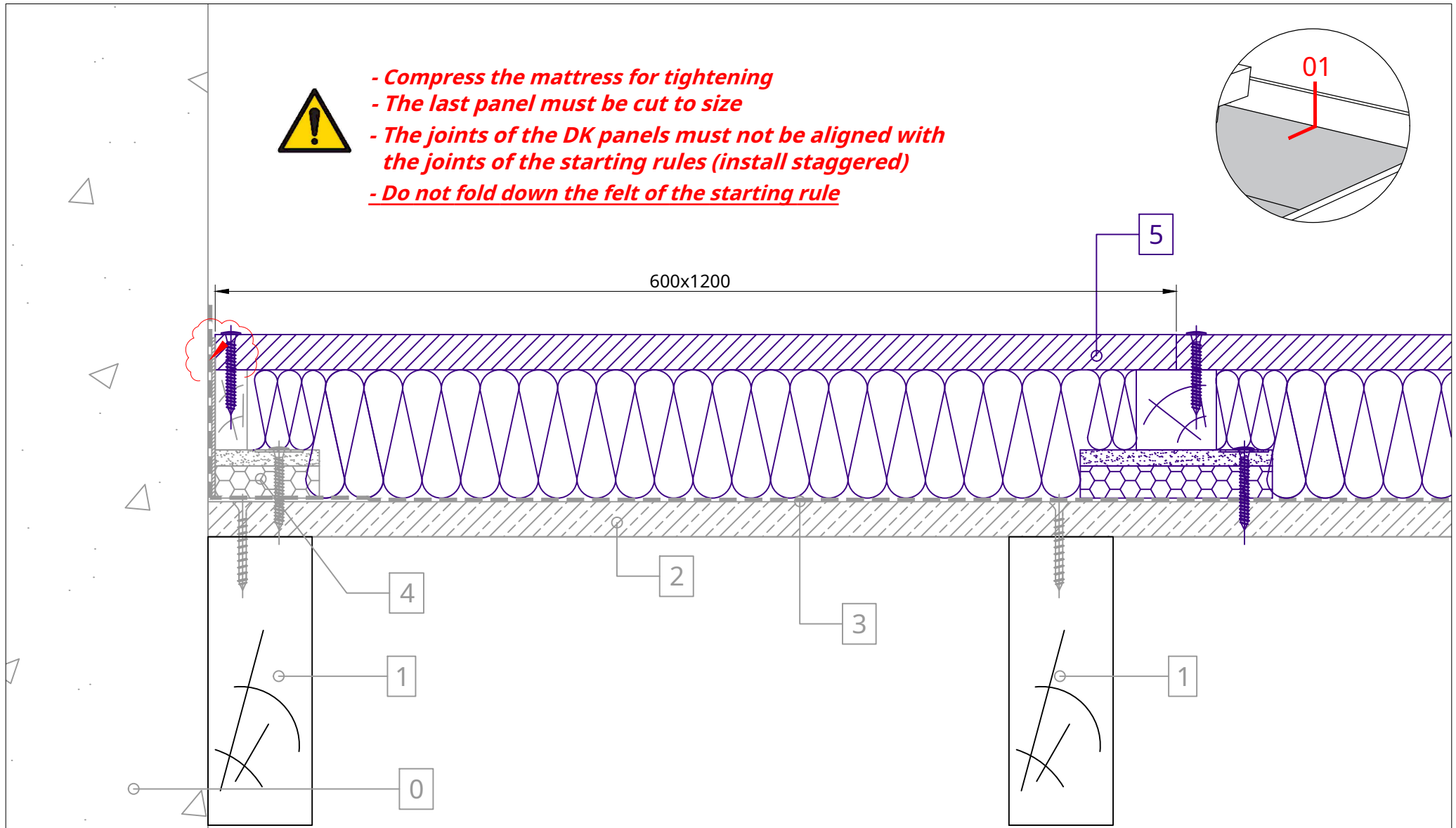
2. P5 grooved/tongued chipboard, installation with alternate joints

3. Vapor barrier

4. PHONOTECH RD starting rule

5. PHONOTECH DK acoustic panels (600 x 1200 mm)

6. Waterproofing membrane



0. Building structure

1. Supporting structure (frame) of the roof

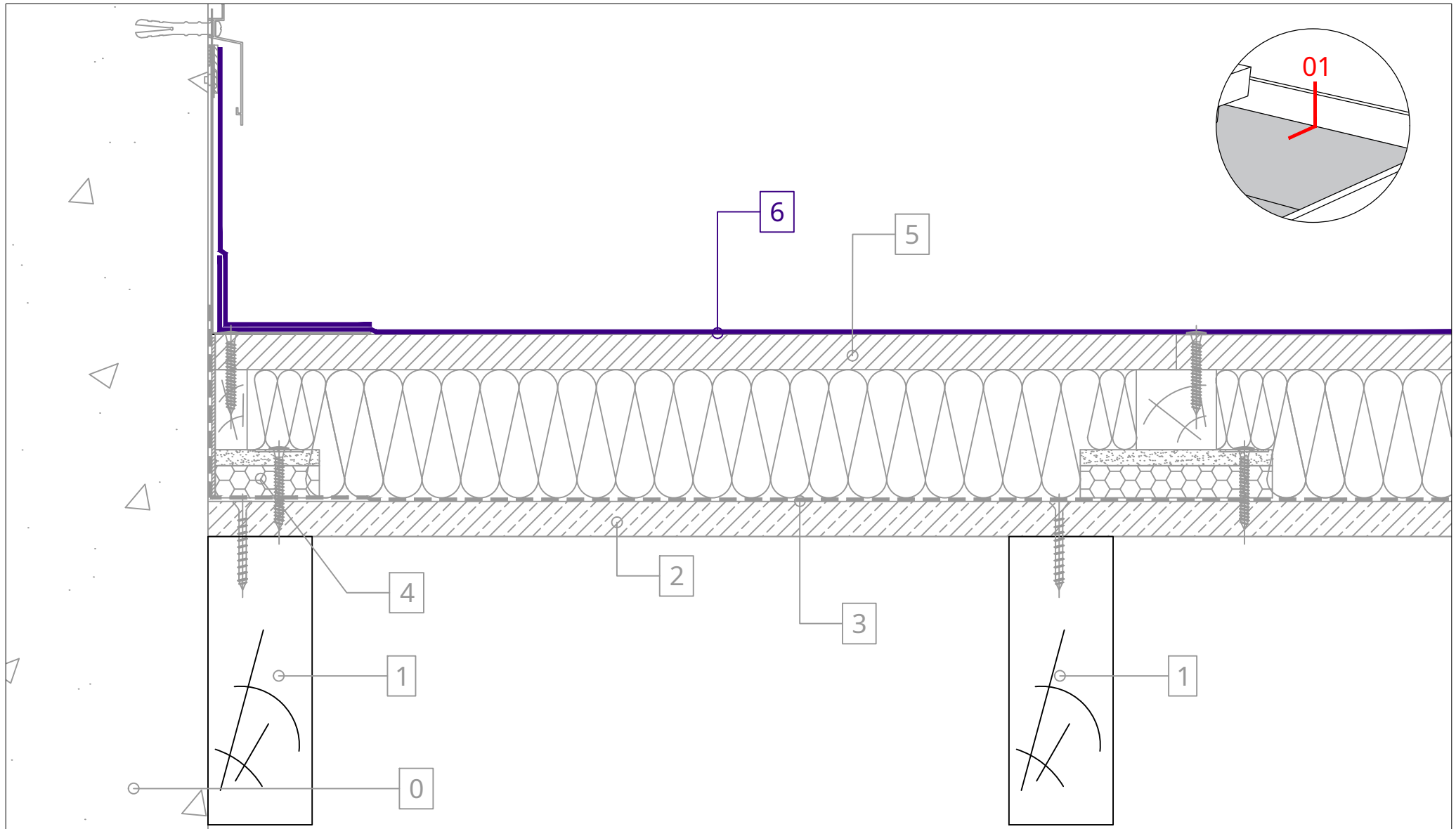
2. P5 grooved/tongued chipboard, installation with alternate joints

3. Vapor barrier

4. PHONOTECH RD starting rule

5. PHONOTECH DK acoustic panels (600 x 1200 mm)

6. Waterproofing membrane



0. Building structure

1. Supporting structure (frame) of the roof

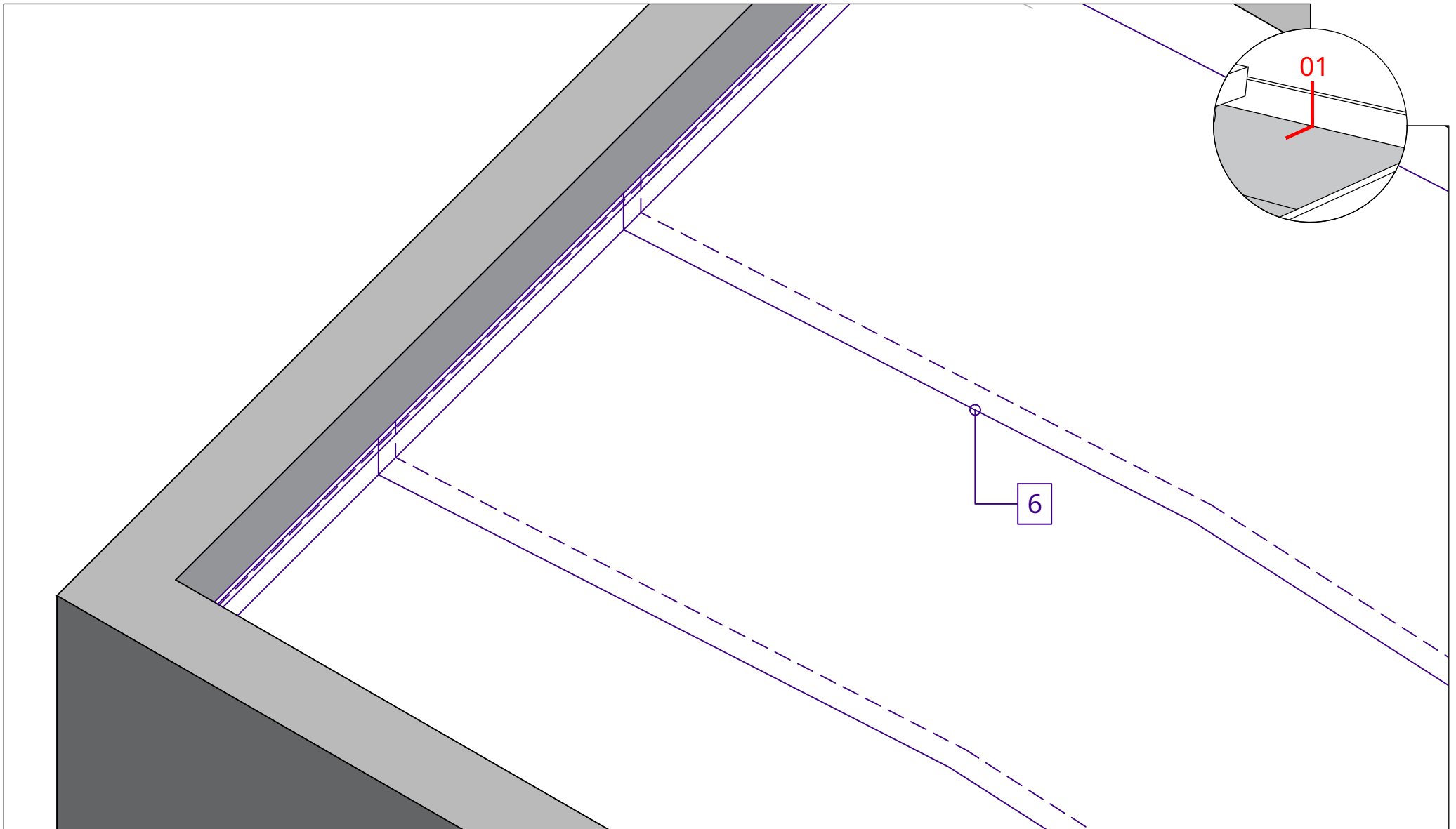
2. P5 grooved/tongued chipboard, installation with alternate joints

3. Vapor barrier

4. PHONOTECH RD starting rule

5. PHONOTECH DK acoustic panels (600 x 1200 mm)

6. Waterproofing membrane



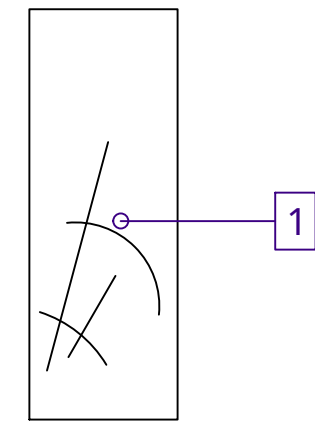
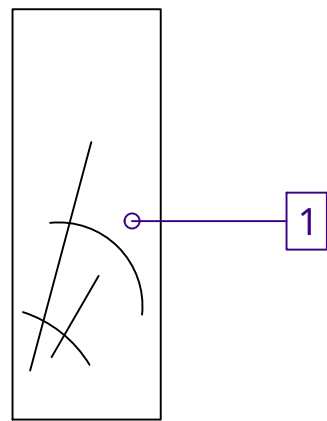
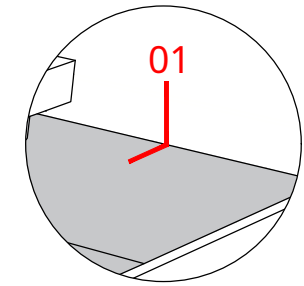
0. Building structure

- 1. Supporting structure (frame) of the roof
- 2. P5 grooved/tongued chipboard, installation with alternate joints
- 3. Vapor barrier

4. PHONOTECH RD starting rule

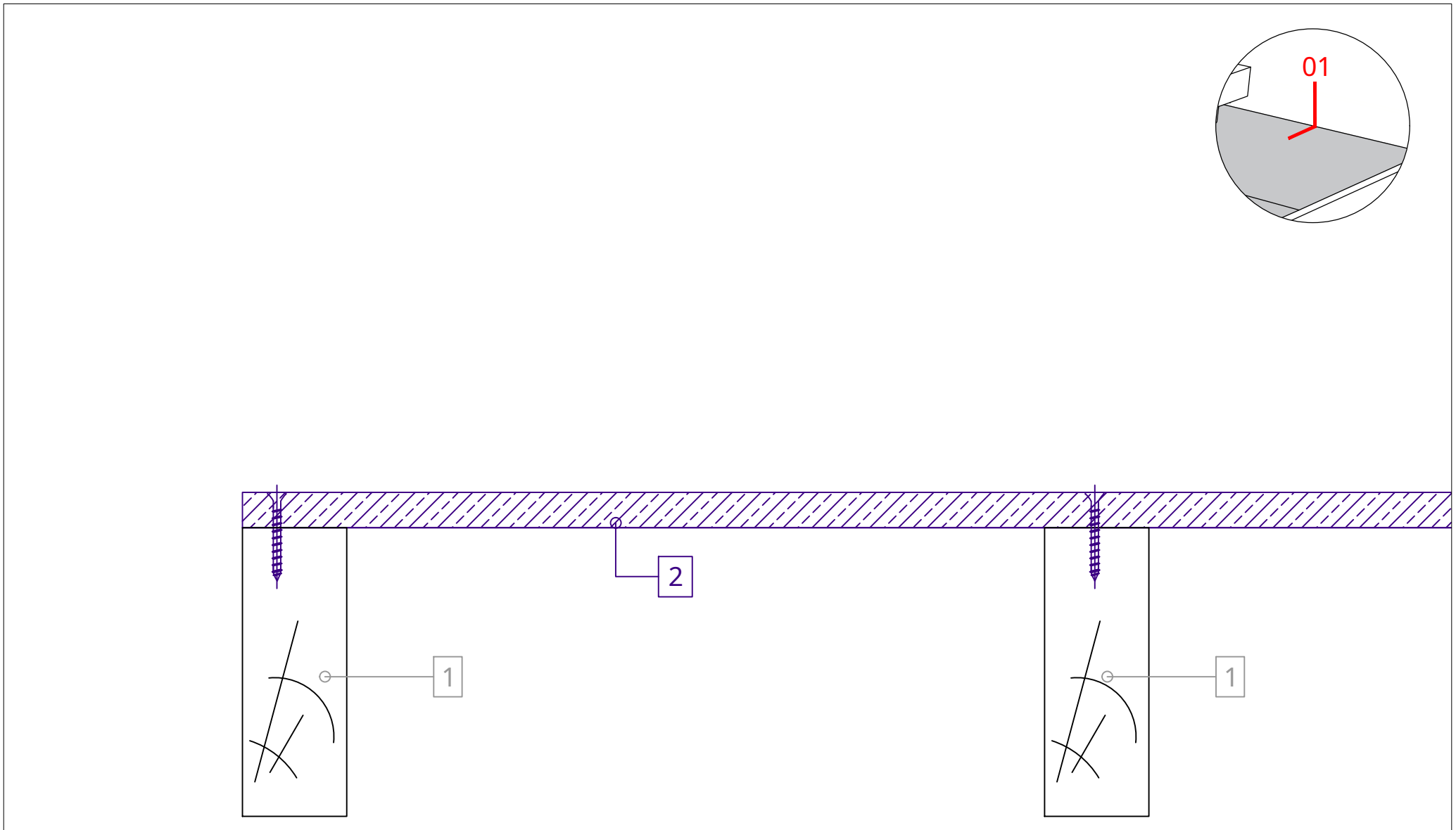
5. PHONOTECH DK acoustic panels (600 x 1200 mm)

6. Waterproofing membrane



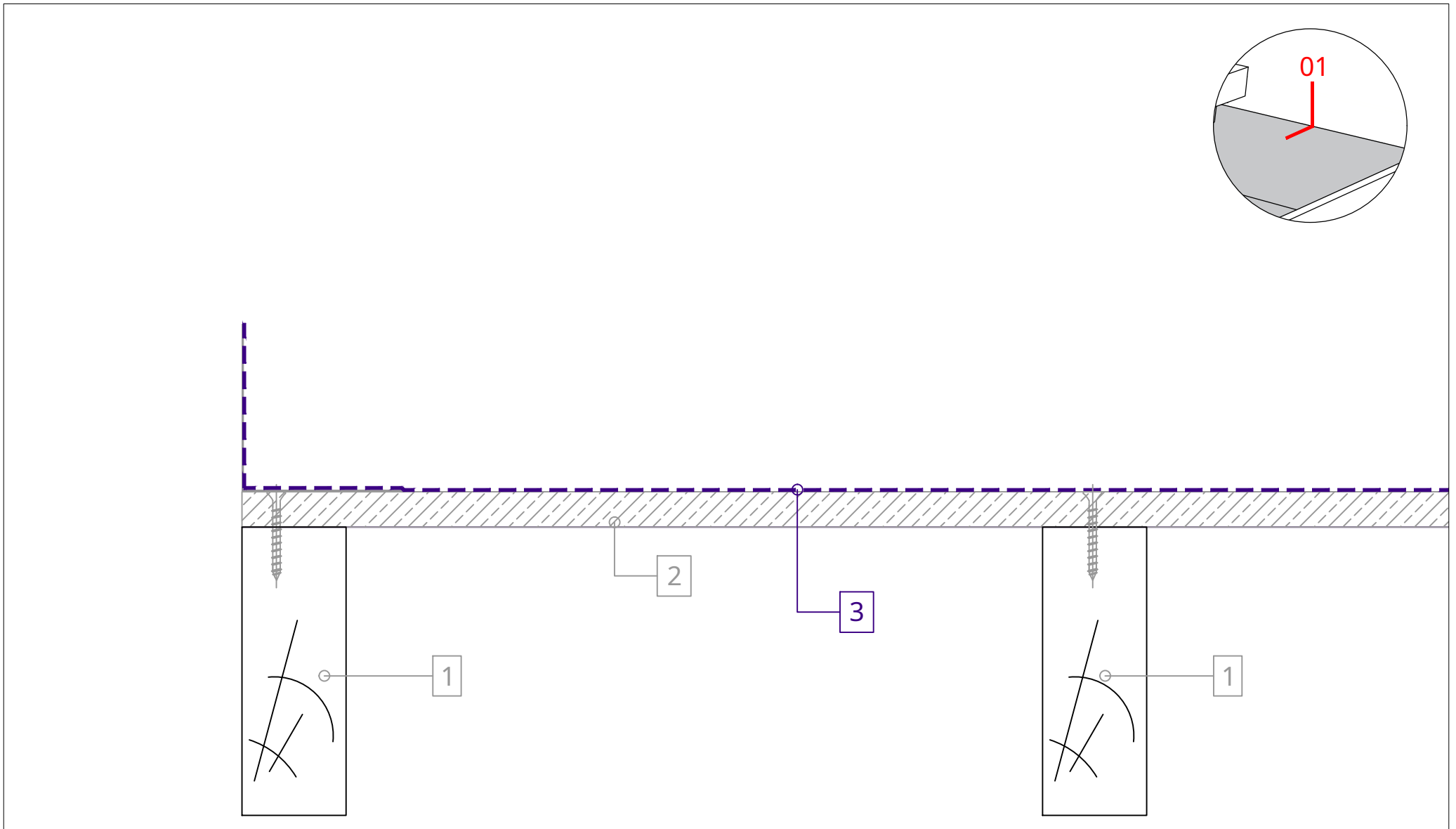
- 1. Supporting structure (frame) of the roof
- 2. P5 grooved/tongued chipboard, installation with alternate joints
- 3. Vapor barrier

- 4. PHONOTECH RD starting rule
- 5. PHONOTECH DK acoustic panels (600 x 1200 mm)
- 6. Waterproofing membrane



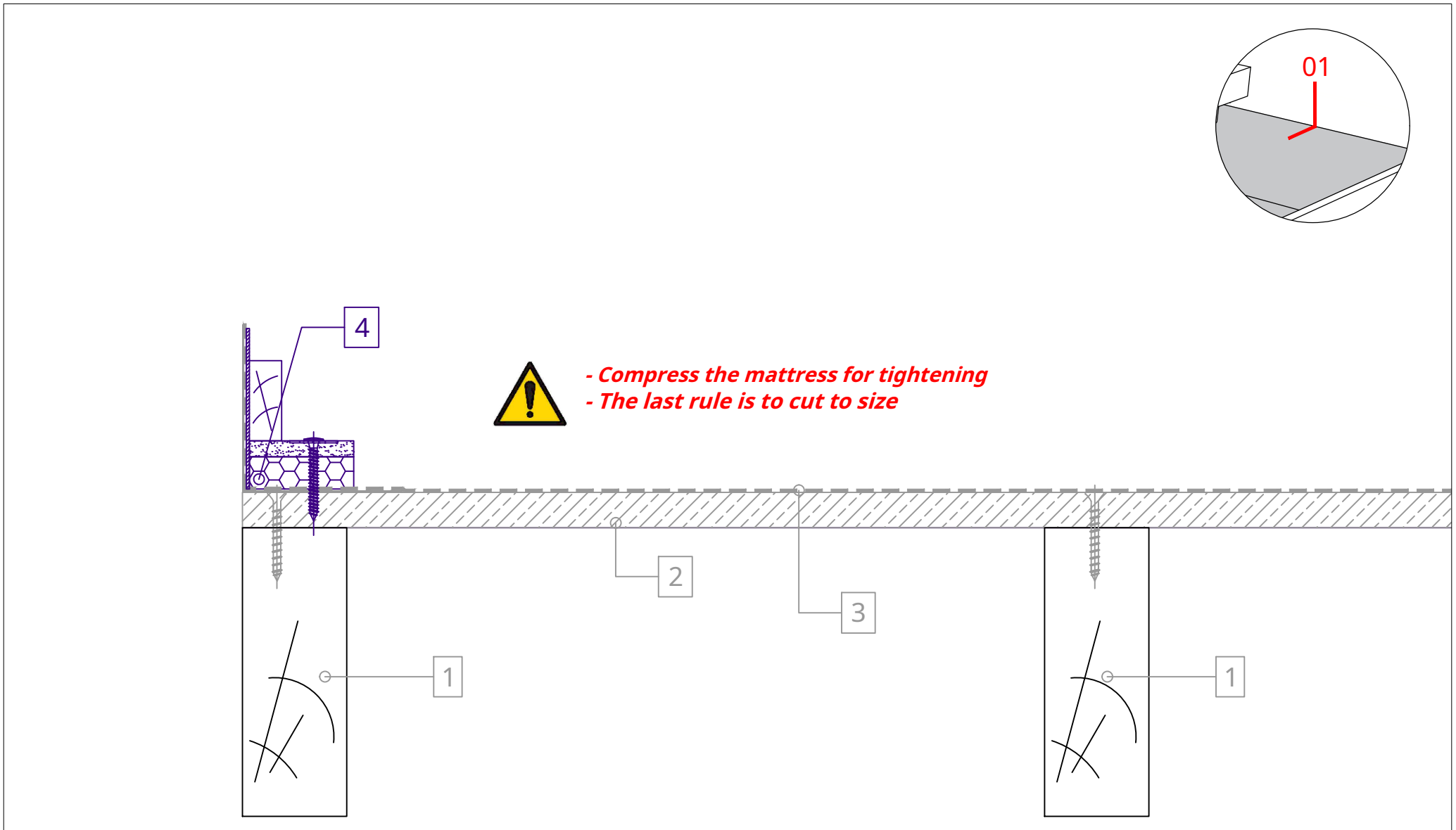
- 1. Supporting structure (frame) of the roof
- 2. P5 grooved/tongued chipboard, installation with alternate joints
- 3. Vapor barrier

- 4. PHONOTECH RD starting rule
- 5. PHONOTECH DK acoustic panels (600 x 1200 mm)
- 6. Waterproofing membrane



- 1. Supporting structure (frame) of the roof
- 2. P5 grooved/tongued chipboard, installation with alternate joints
- 3. Vapor barrier

- 4. PHONOTECH RD starting rule
- 5. PHONOTECH DK acoustic panels (600 x 1200 mm)
- 6. Waterproofing membrane

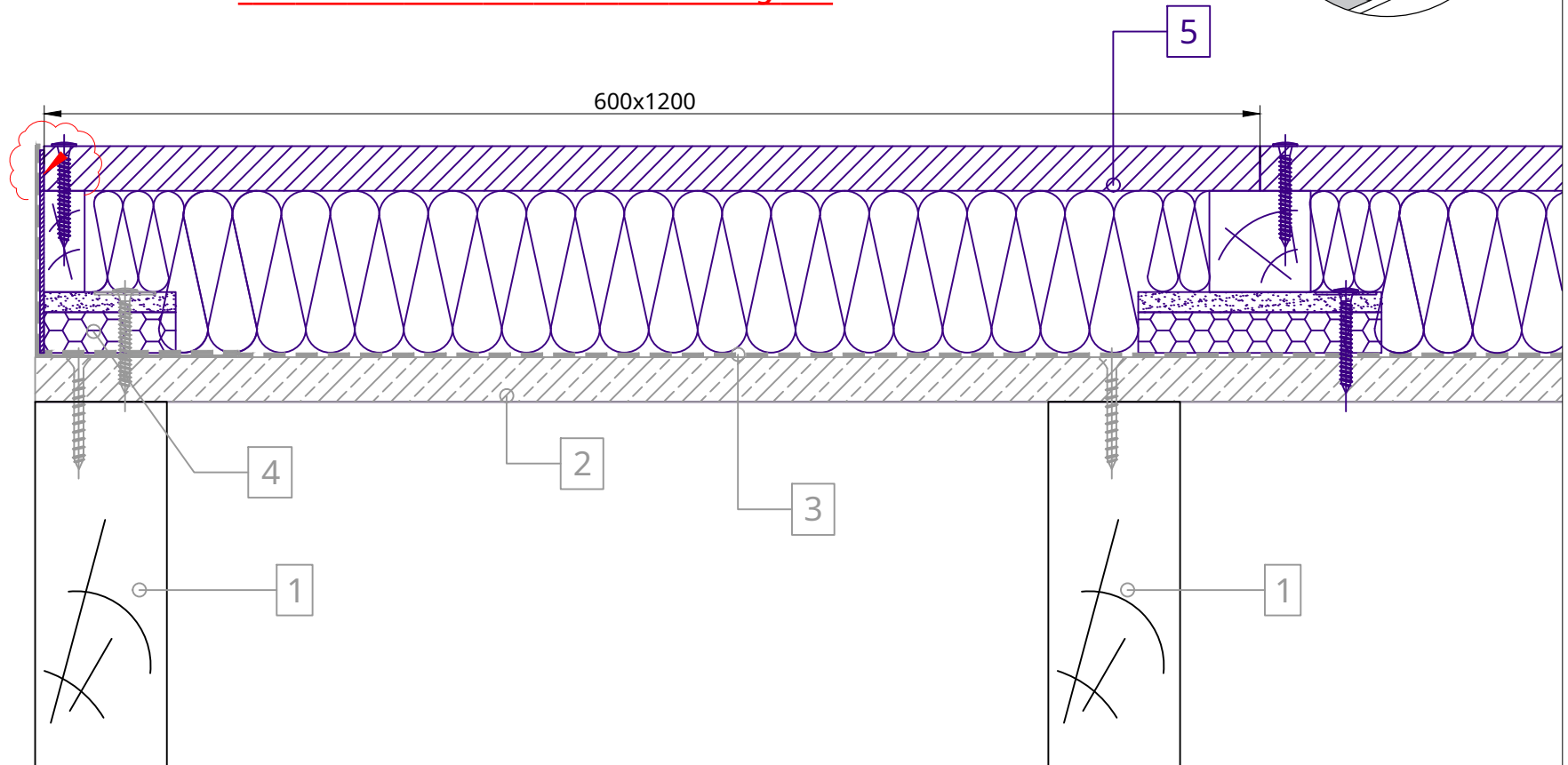
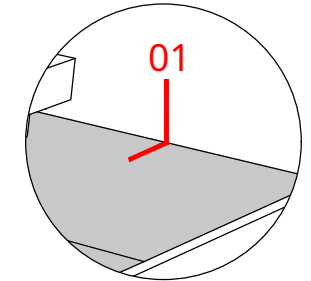


1. Supporting structure (frame) of the roof
2. P5 grooved/tongued chipboard, installation with alternate joints
3. Vapor barrier

4. PHONOTECH RD starting rule
5. PHONOTECH DK acoustic panels (600 x 1200 mm)
6. Waterproofing membrane

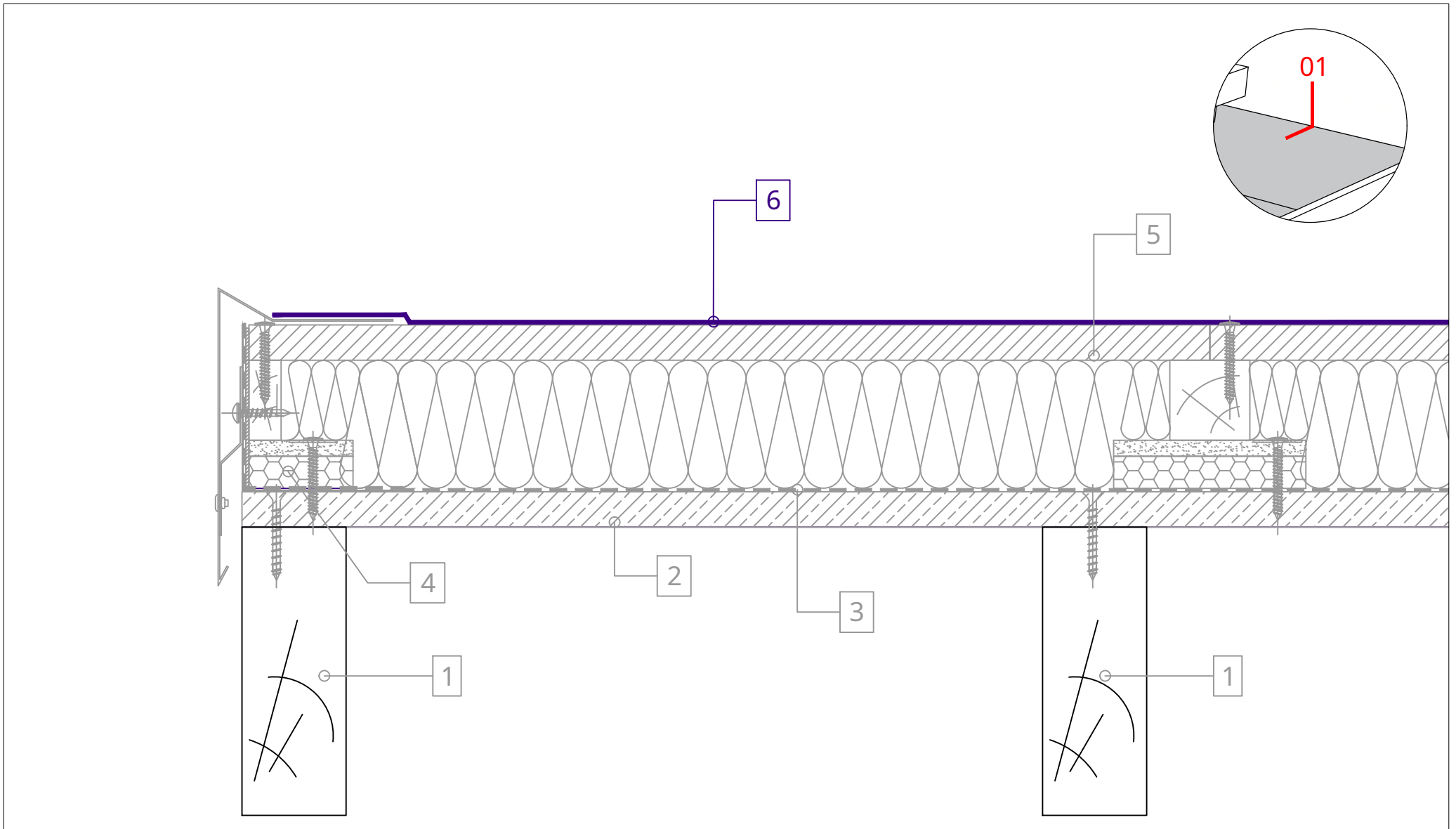


- **Compress the mattress for tightening**
- **The last panel must be cut to size**
- **The joints of the DK panels must not be aligned with the joints of the starting rules (install staggered)**
- **Do not fold down the felt of the starting rule**



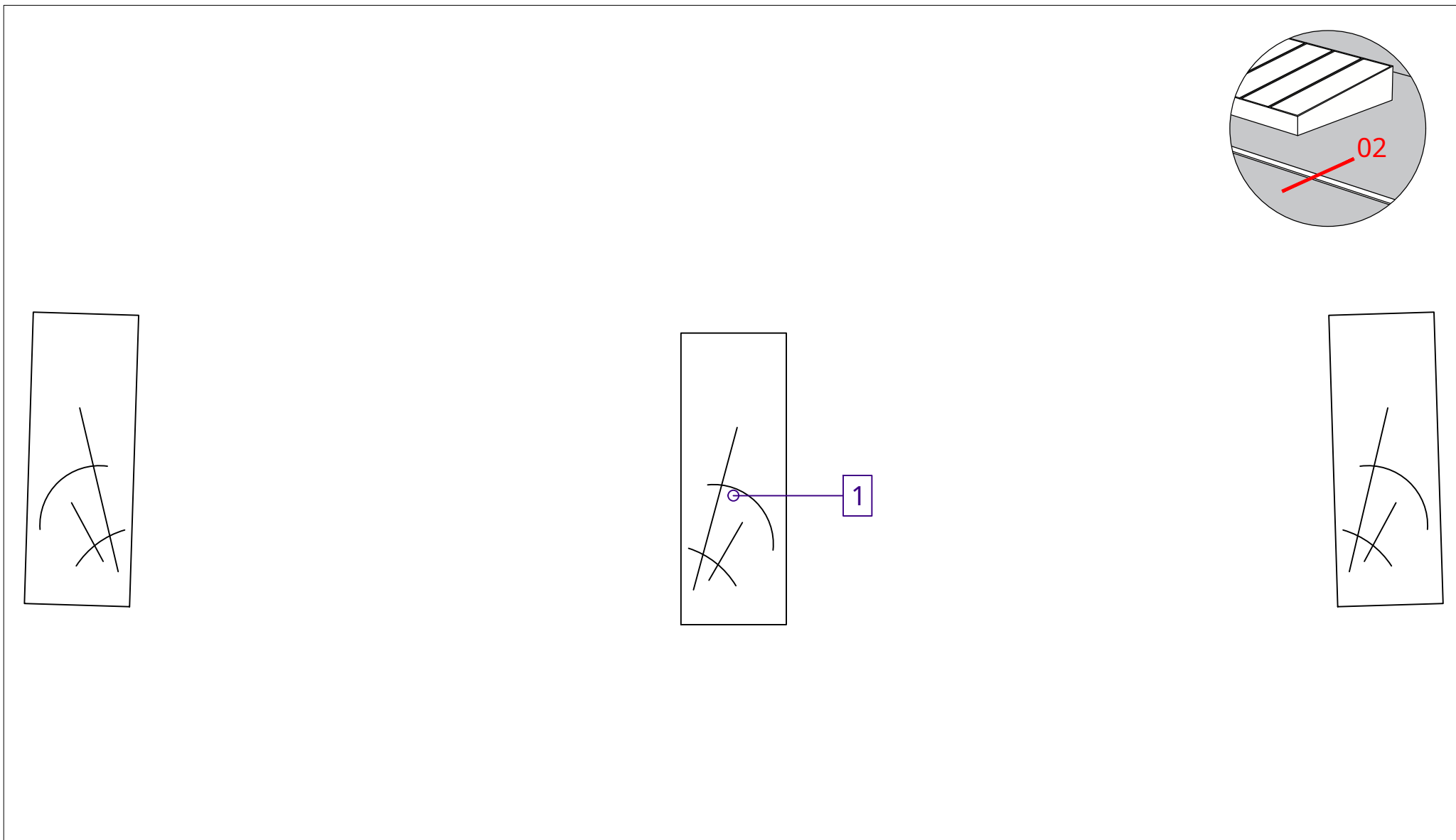
1. Supporting structure (frame) of the roof
2. P5 grooved/tongued chipboard, installation with alternate joints
3. Vapor barrier

4. PHONOTECH RD starting rule
5. PHONOTECH DK acoustic panels (600 x 1200 mm)
6. Waterproofing membrane



- 1. Supporting structure (frame) of the roof
- 2. P5 grooved/tongued chipboard, installation with alternate joints
- 3. Vapor barrier

- 4. PHONOTECH RD starting rule
- 5. PHONOTECH DK acoustic panels (600 x 1200 mm)
- 6. Waterproofing membrane



1. Supporting structure (frame) of the roof

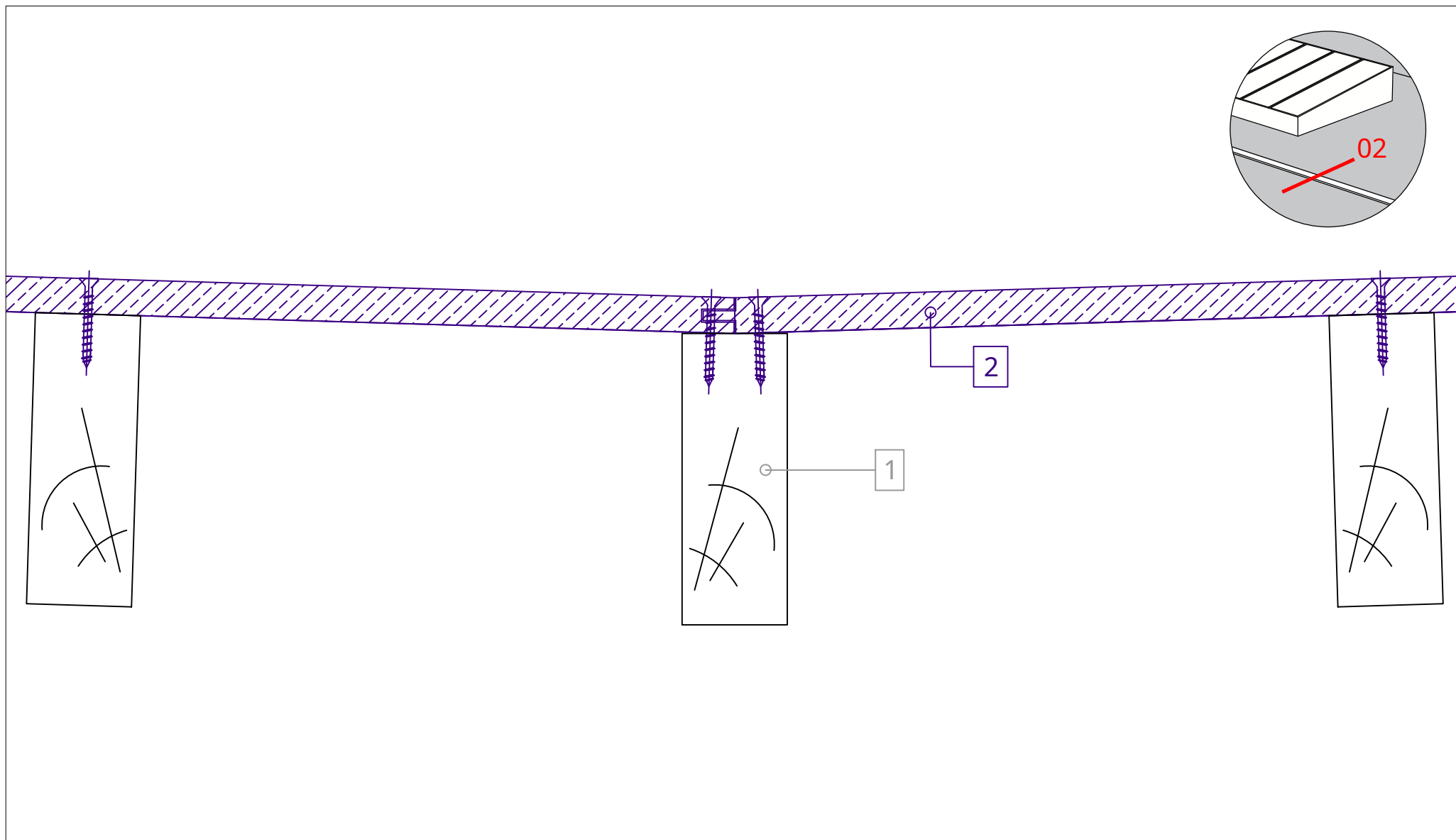
2. P5 grooved/tongued chipboard, installation with alternate joints

3. Vapor barrier

4. PHONOTECH RM assembly rule

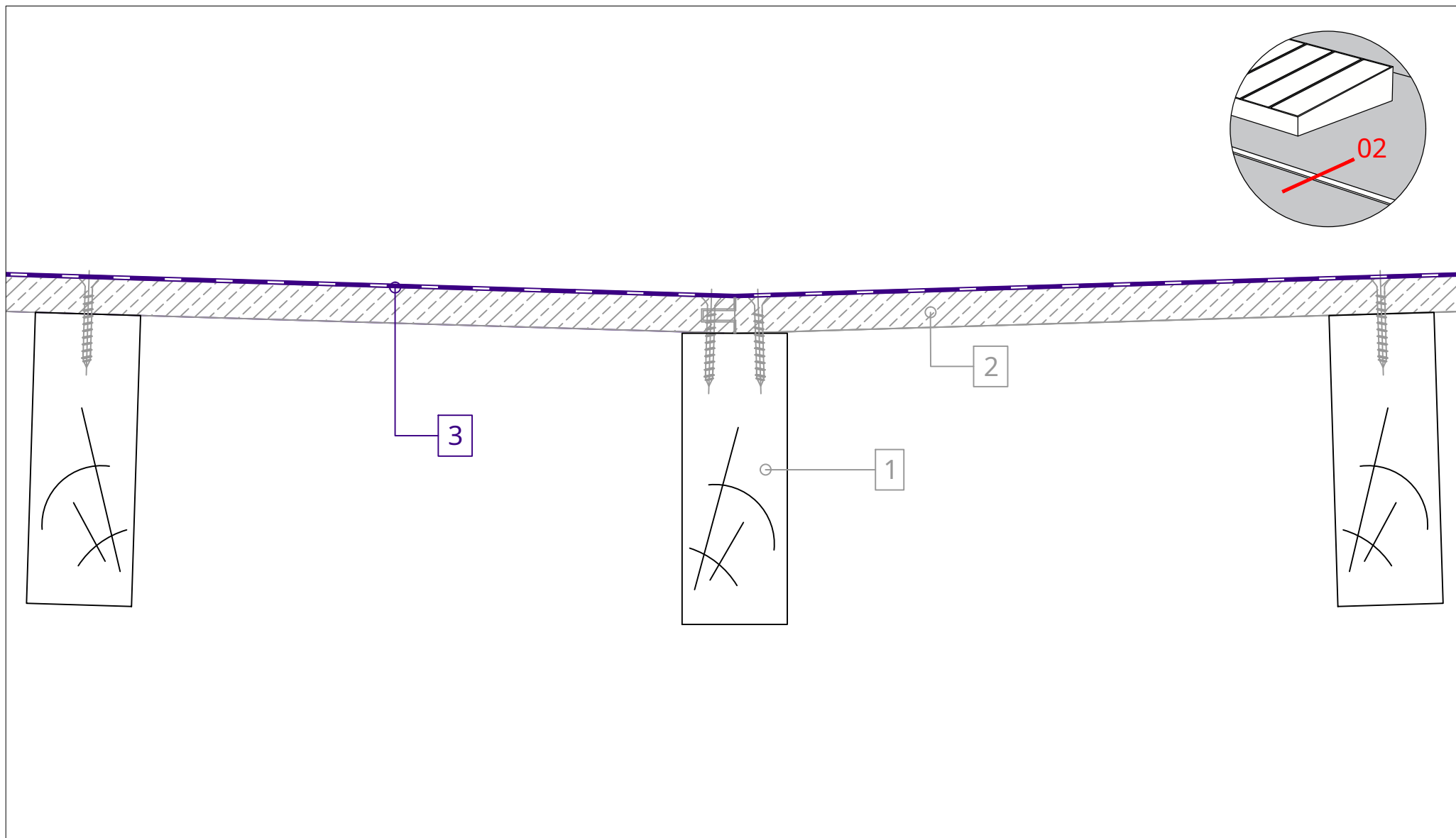
5. PHONOTECH DK acoustic panels (600 x 1200 mm)

6. Waterproofing membrane



- 1. Supporting structure (frame) of the roof
- 2. P5 grooved/tongued chipboard, installation with alternate joints
- 3. Vapor barrier

- 4. PHONOTECH RM assembly rule
- 5. PHONOTECH DK acoustic panels (600 x 1200 mm)
- 6. Waterproofing membrane

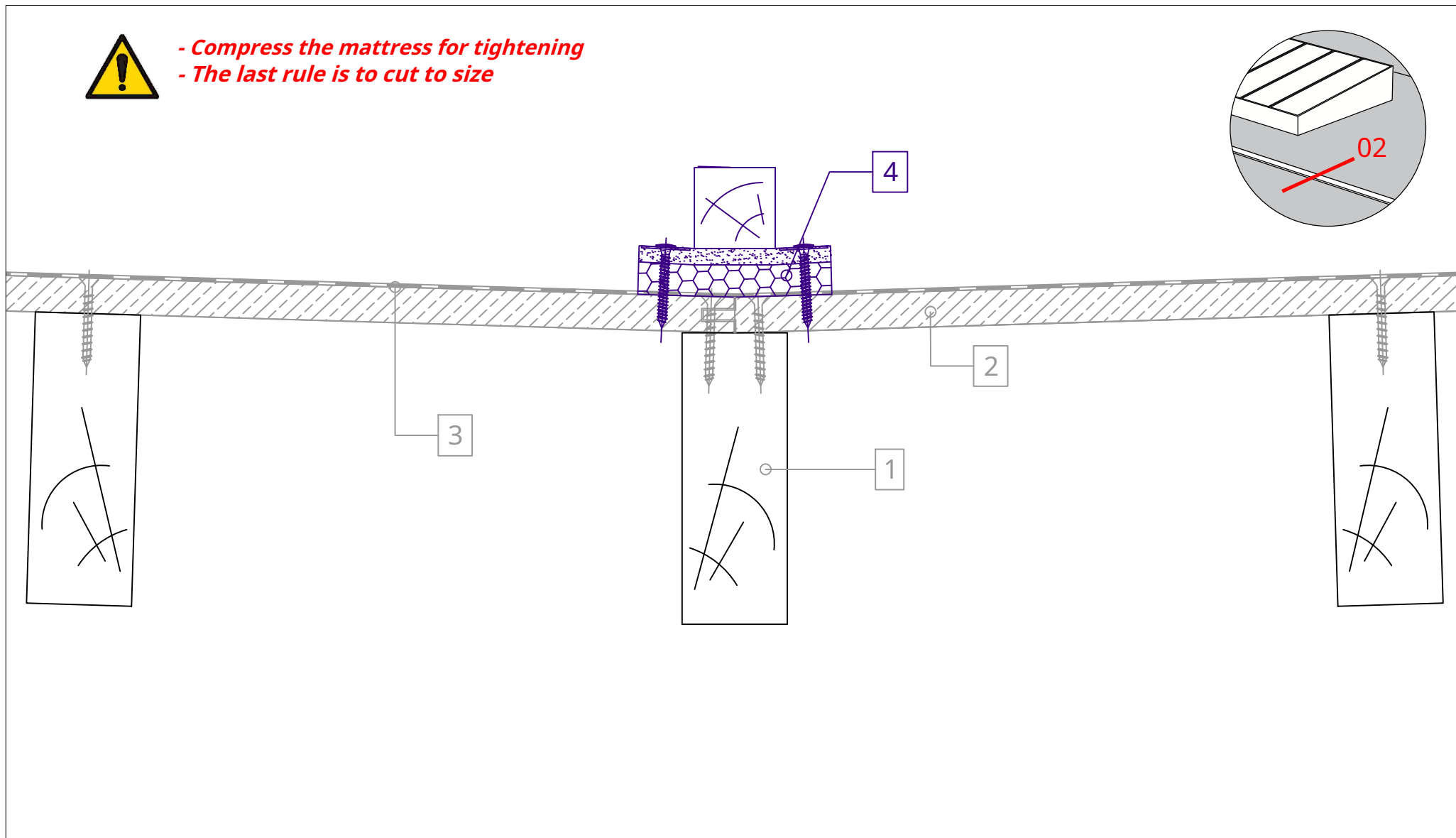
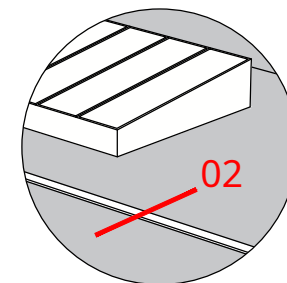


- 1. Supporting structure (frame) of the roof
- 2. P5 grooved/tongued chipboard, installation with alternate joints
- 3. Vapor barrier

- 4. PHONOTECH RM assembly rule
- 5. PHONOTECH DK acoustic panels (600 x 1200 mm)
- 6. Waterproofing membrane

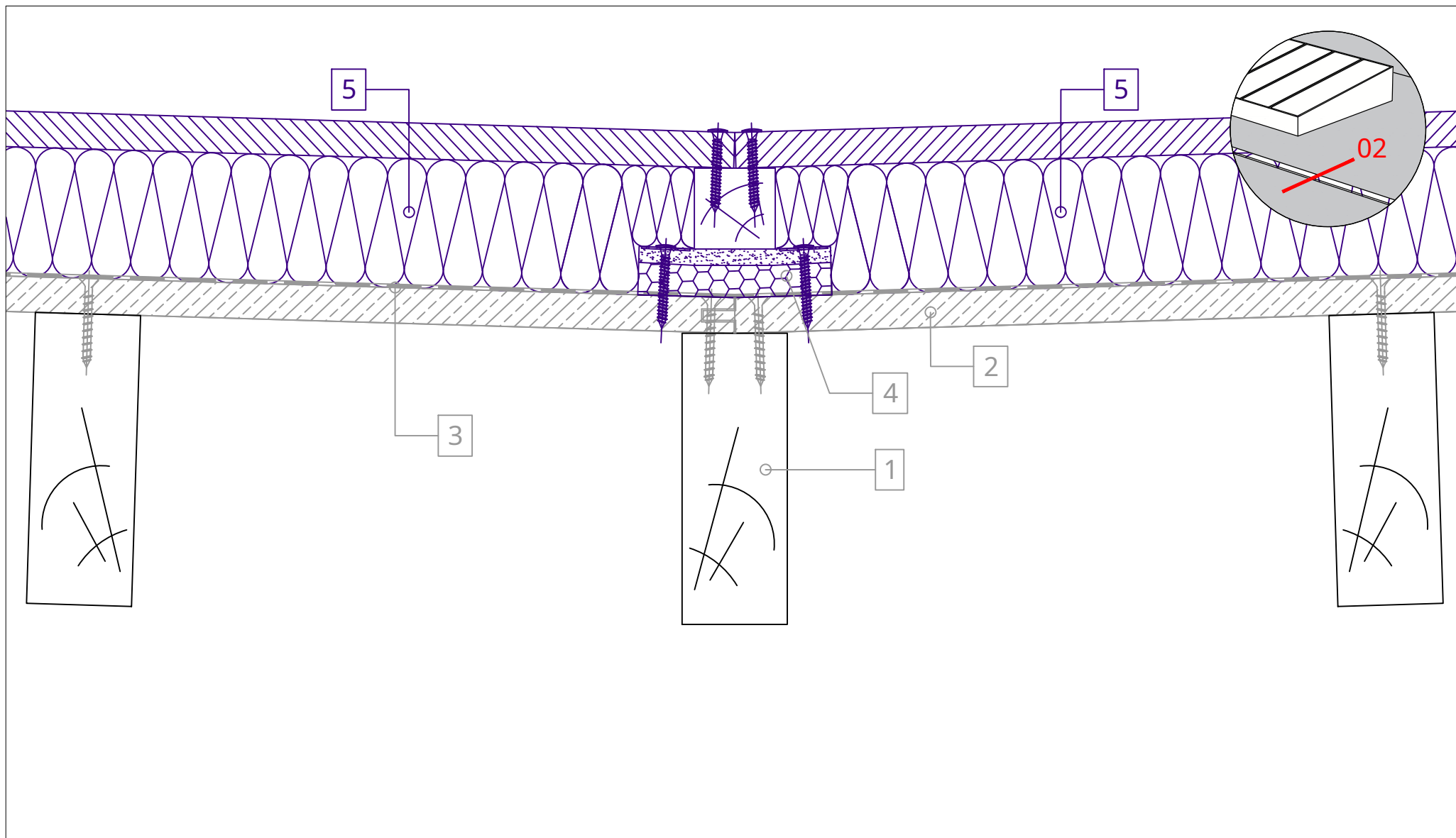


- *Compress the mattress for tightening*
- *The last rule is to cut to size*



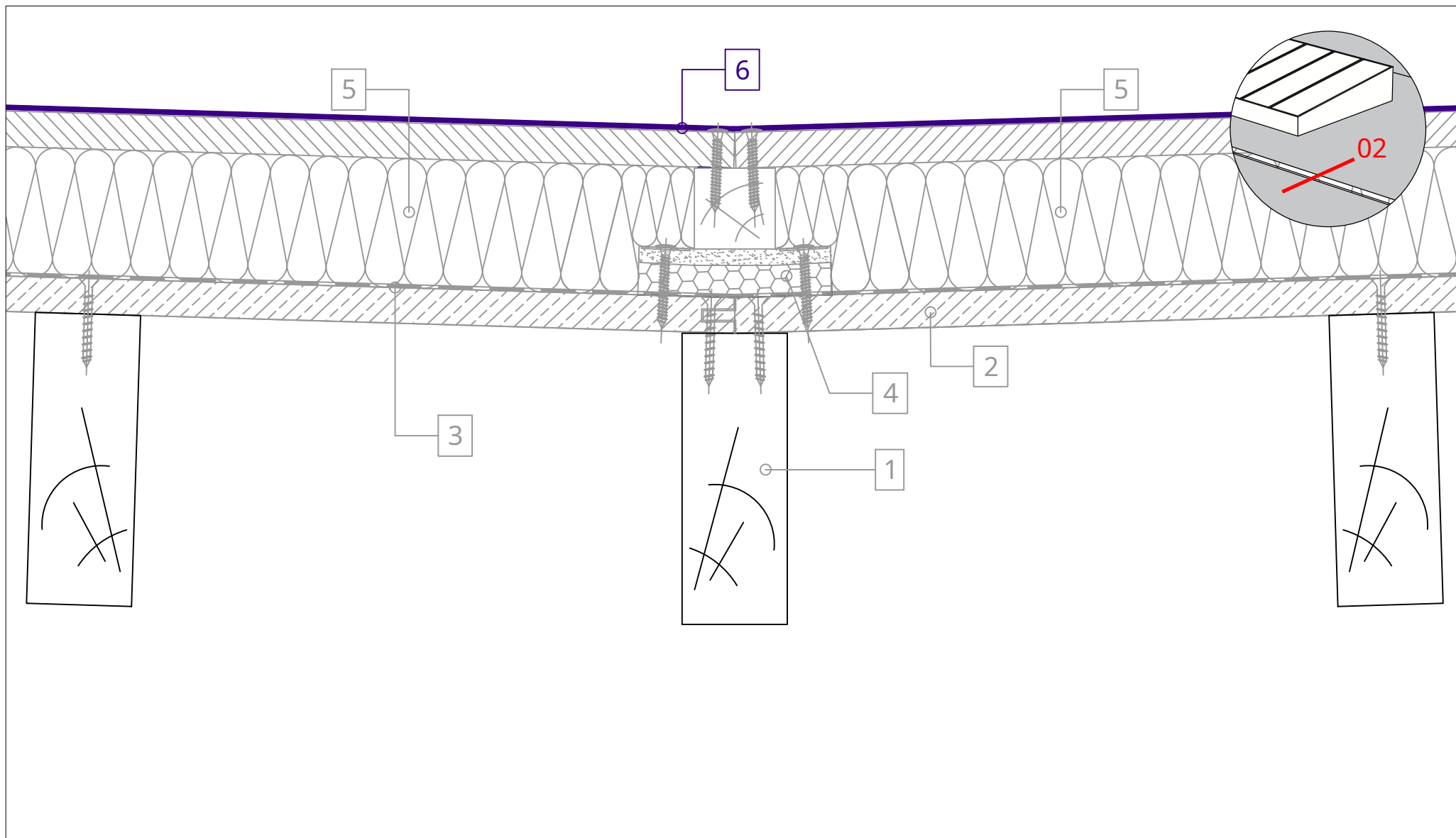
- 1. Supporting structure (frame) of the roof
- 2. P5 grooved/tongued chipboard, installation with alternate joints
- 3. Vapor barrier

- 4. PHONOTECH RM assembly rule
- 5. PHONOTECH DK acoustic panels (600 x 1200 mm)
- 6. Waterproofing membrane



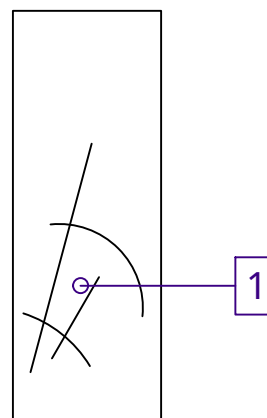
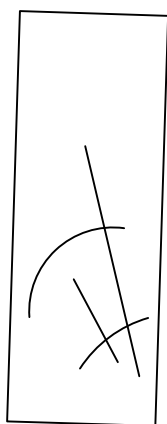
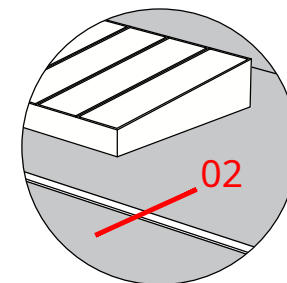
- 1. Supporting structure (frame) of the roof
- 2. P5 grooved/tongued chipboard, installation with alternate joints
- 3. Vapor barrier

- 4. PHONOTECH RM assembly rule
- 5. PHONOTECH DK acoustic panels (600 x 1200 mm)
- 6. Waterproofing membrane



- 1. Supporting structure (frame) of the roof
- 2. P5 grooved/tongued chipboard, installation with alternate joints
- 3. Vapor barrier

- 4. PHONOTECH RM assembly rule
- 5. PHONOTECH DK acoustic panels (600 x 1200 mm)
- 6. Waterproofing membrane



1. Supporting structure (frame) of the roof

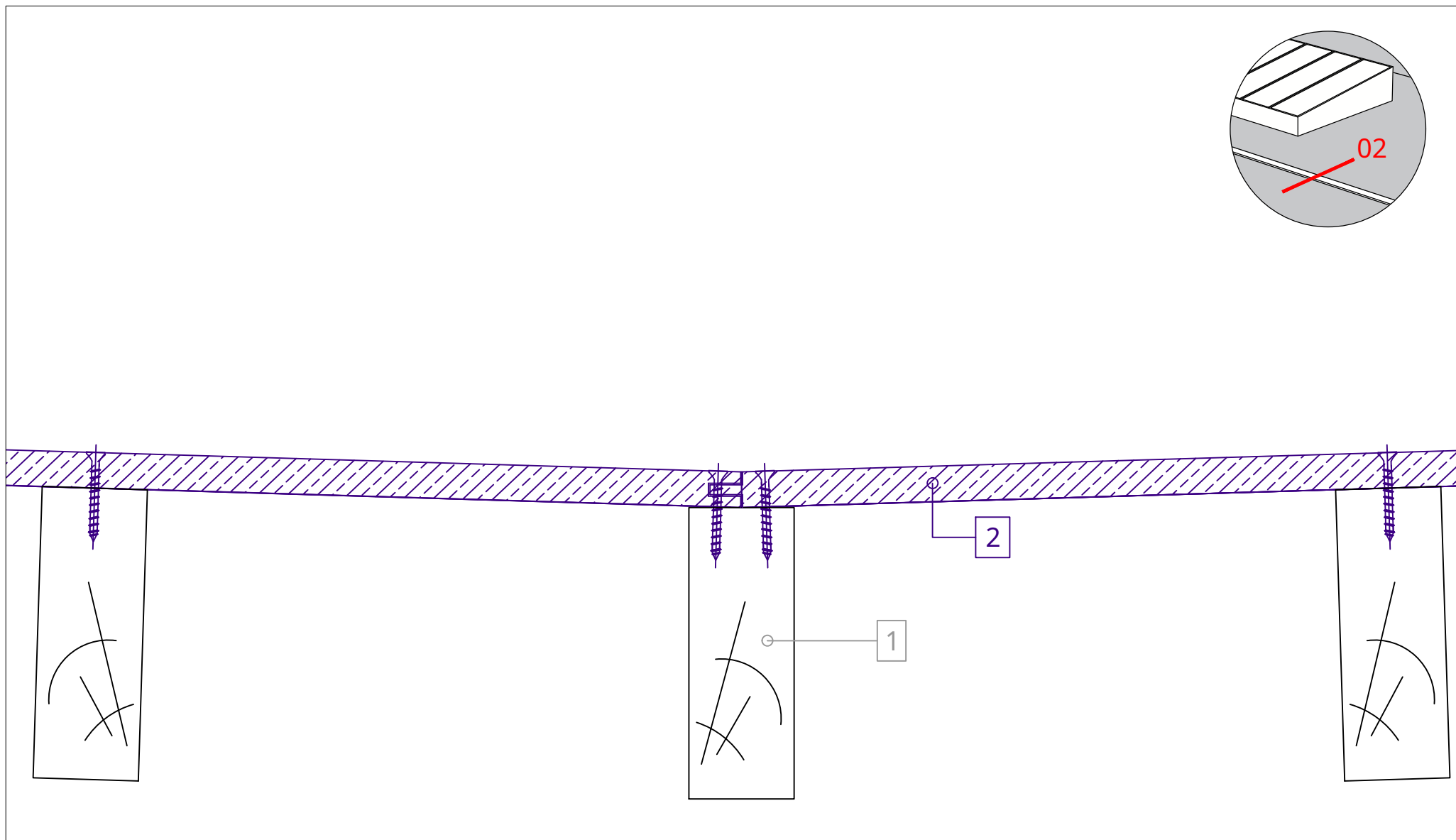
2. P5 grooved/tongued chipboard, installation with alternate joints

3. Vapor barrier

4. PHONOTECH RD starting rule

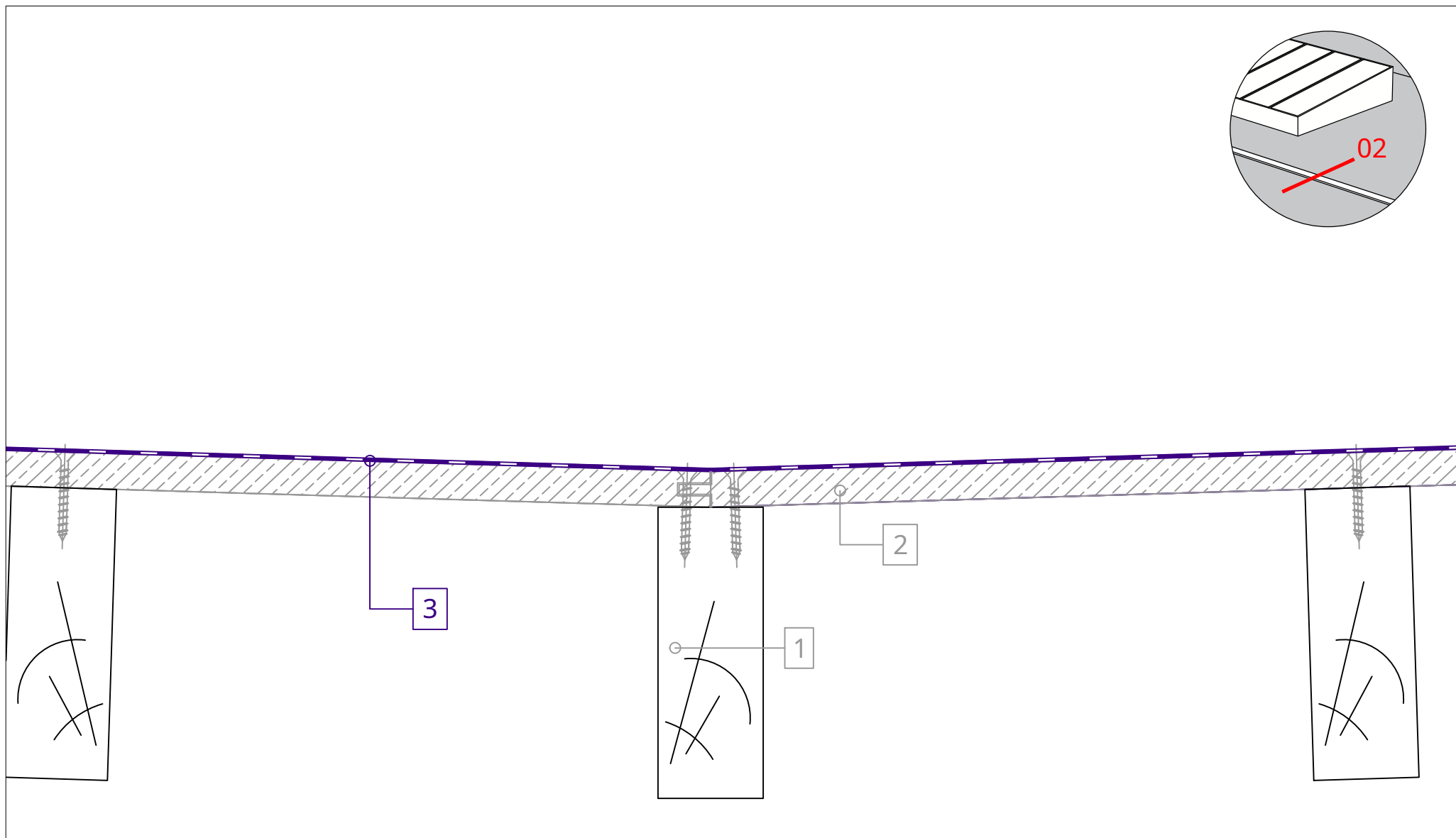
5. PHONOTECH DK acoustic panels (600 x 1200 mm)

6. Waterproofing membrane



- 1. Supporting structure (frame) of the roof
- 2. P5 grooved/tongued chipboard, installation with alternate joints
- 3. Vapor barrier

- 4. PHONOTECH RD starting rule
- 5. PHONOTECH DK acoustic panels (600 x 1200 mm)
- 6. Waterproofing membrane

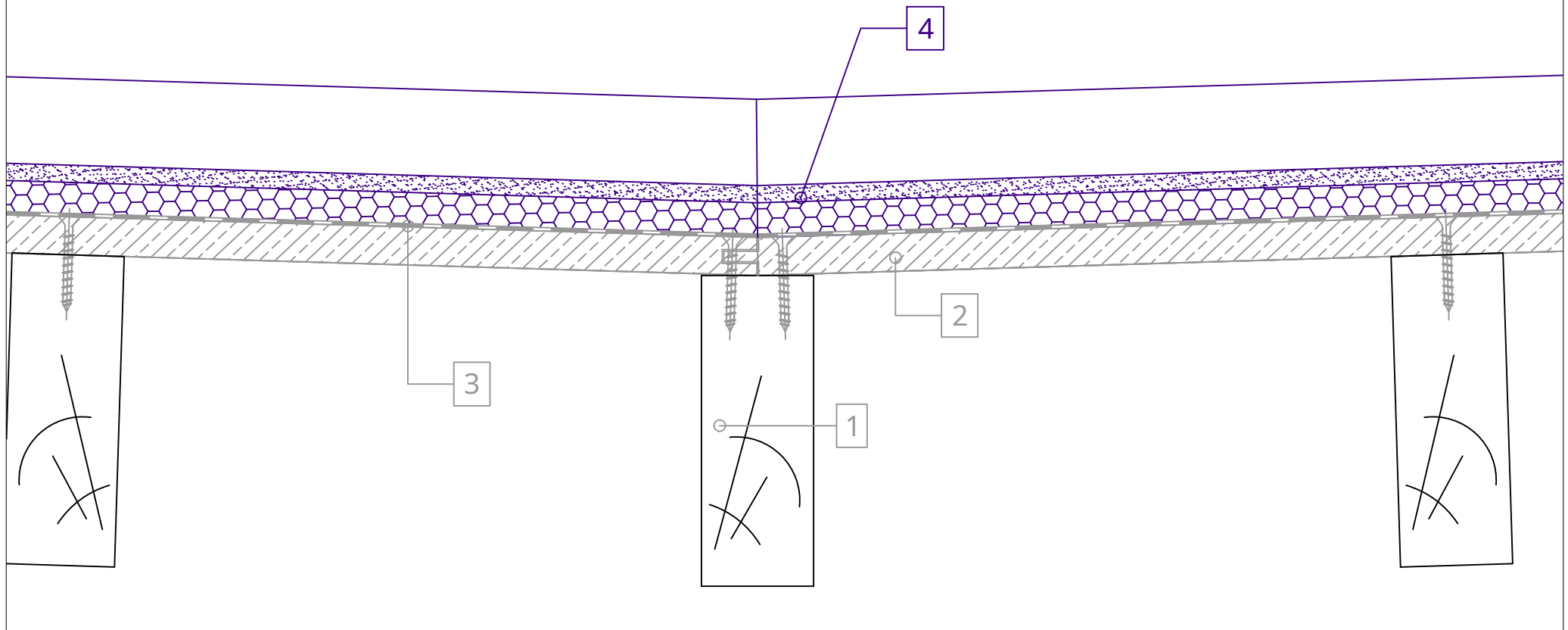
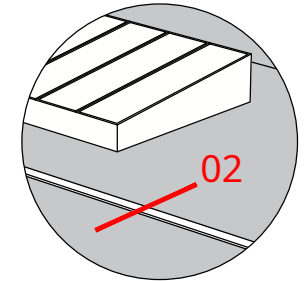


- 1. Supporting structure (frame) of the roof
- 2. P5 grooved/tongued chipboard, installation with alternate joints
- 3. Vapor barrier

- 4. PHONOTECH RD starting rule
- 5. PHONOTECH DK acoustic panels (600 x 1200 mm)
- 6. Waterproofing membrane

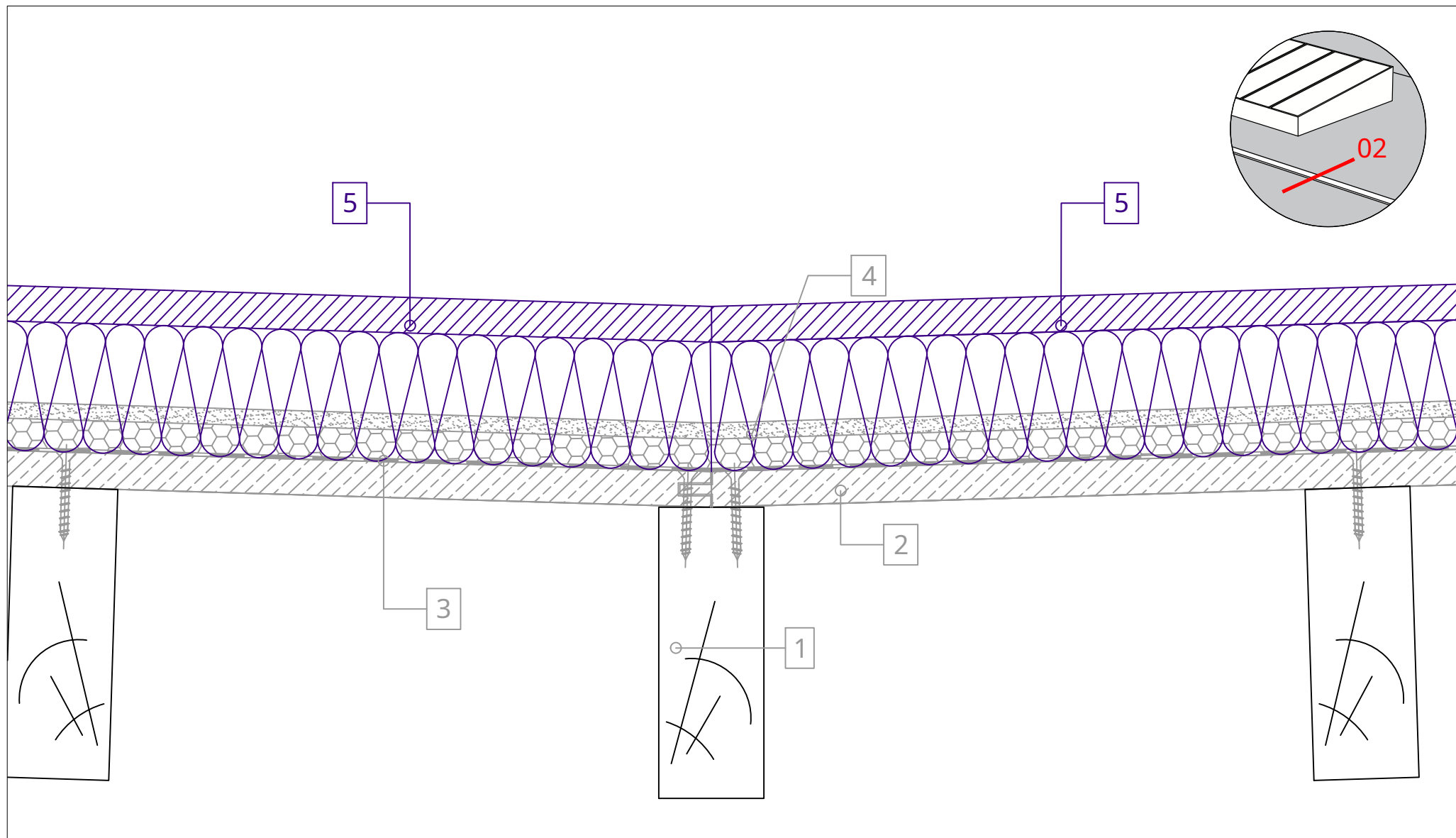


- Compress the mattress for tightening
- The last rule is to cut to size



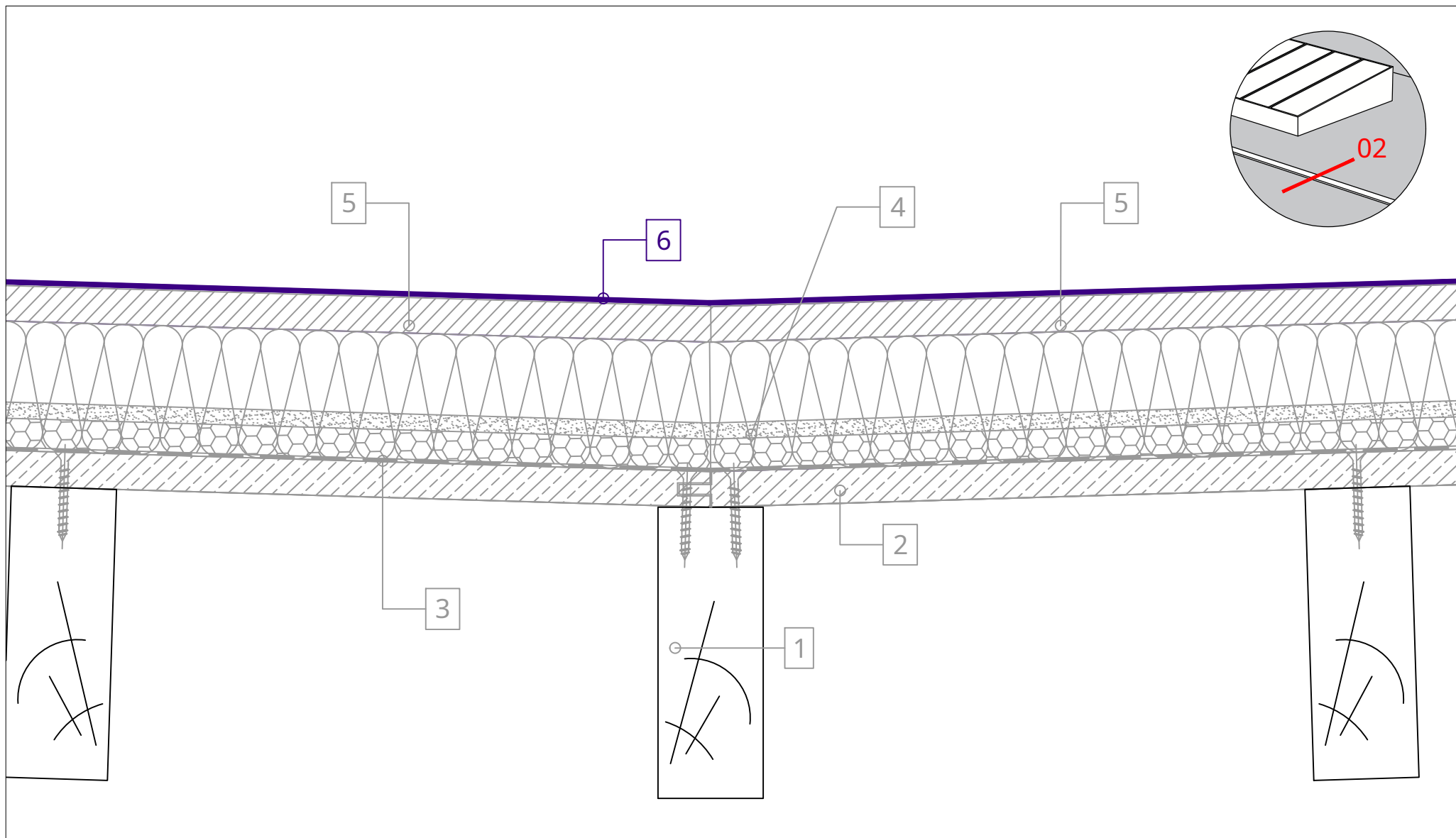
- 1. Supporting structure (frame) of the roof
- 2. P5 grooved/tongued chipboard, installation with alternate joints
- 3. Vapor barrier

- 4. PHONOTECH RD starting rule
- 5. PHONOTECH DK acoustic panels (600 x 1200 mm)
- 6. Waterproofing membrane



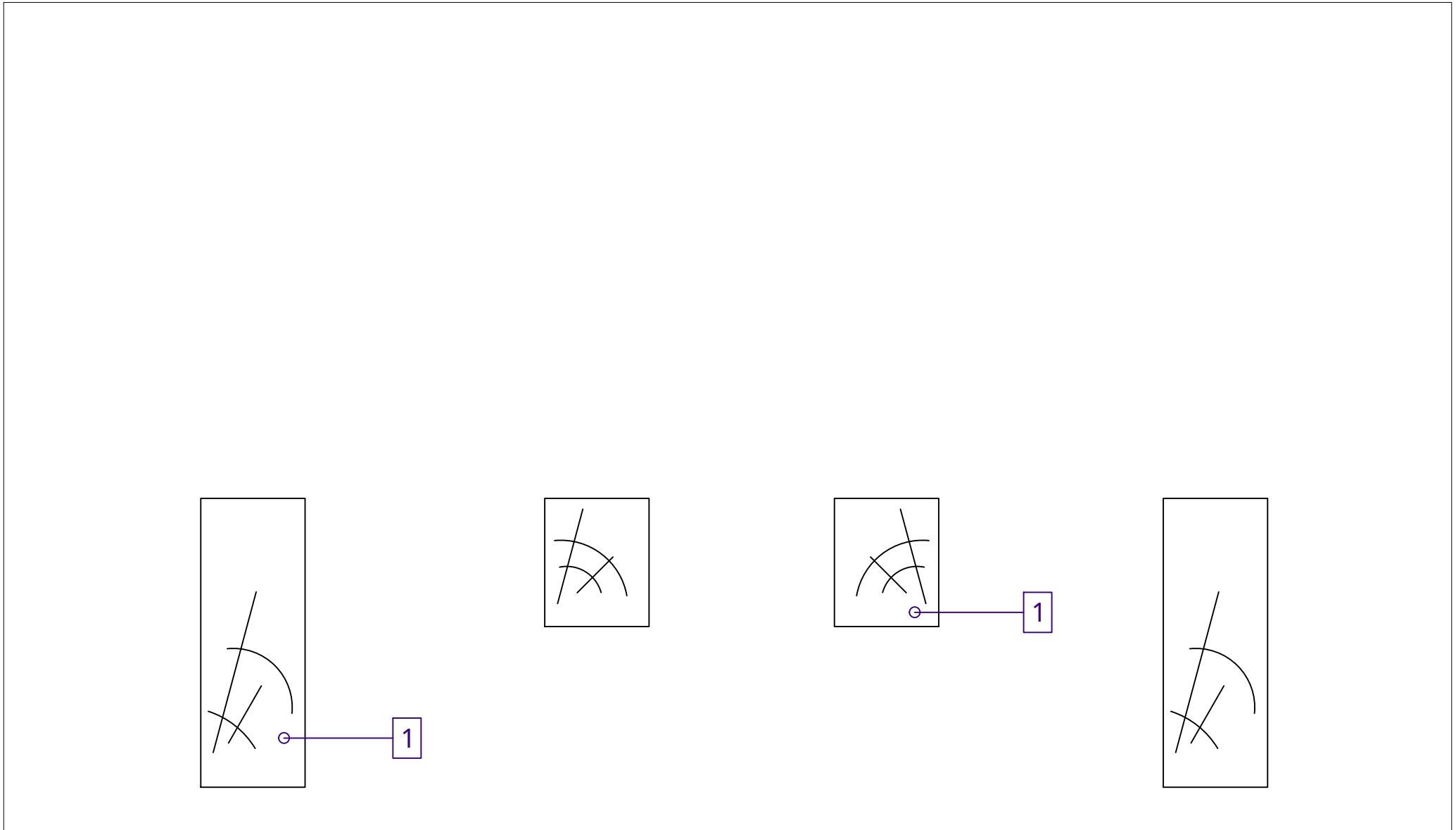
- 1. Supporting structure (frame) of the roof
- 2. P5 grooved/tongued chipboard, installation with alternate joints
- 3. Vapor barrier

- 4. PHONOTECH RD starting rule
- 5. PHONOTECH DK acoustic panels (600 x 1200 mm)
- 6. Waterproofing membrane



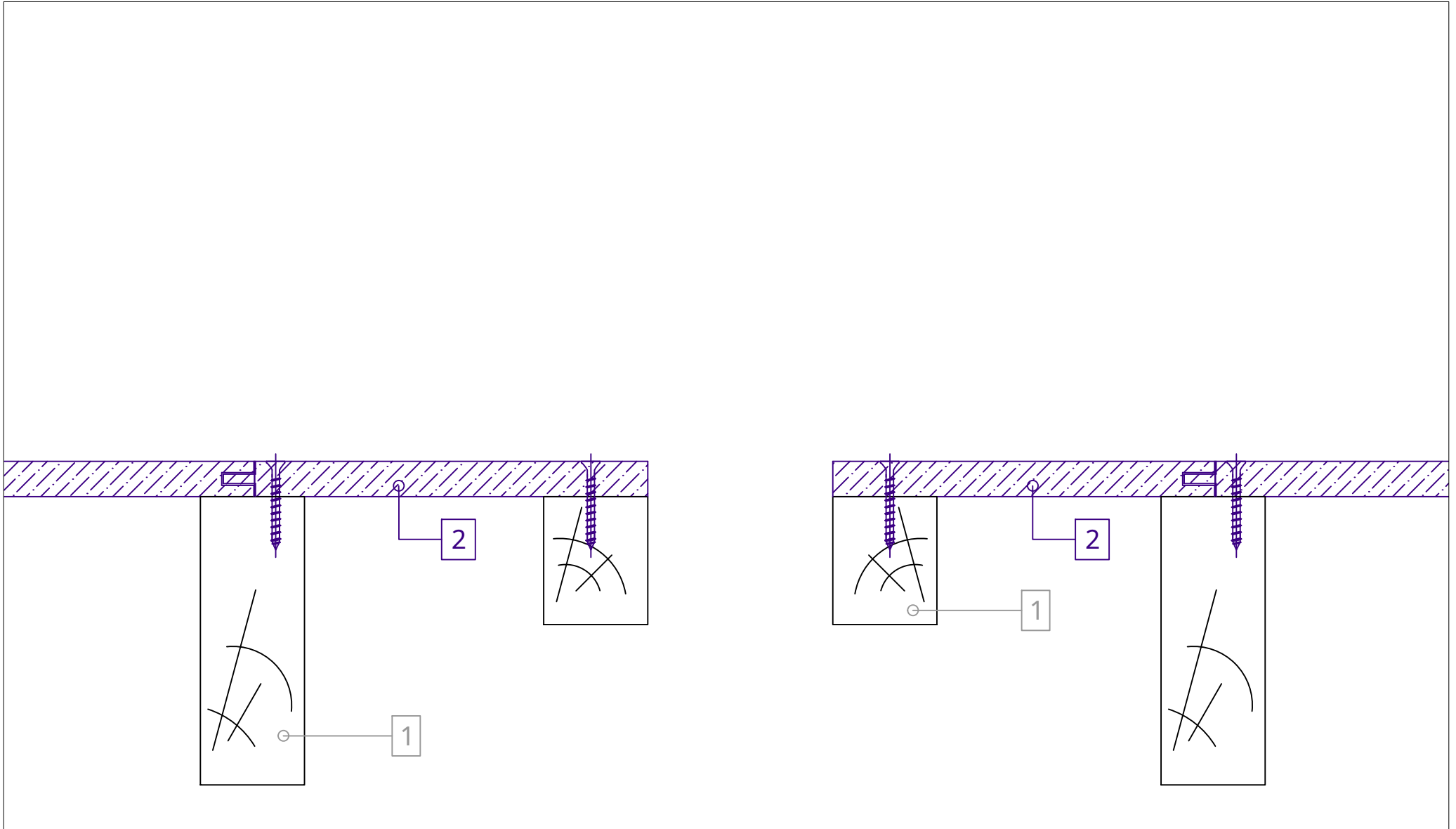
- 1. Supporting structure (frame) of the roof
- 2. P5 grooved/tongued chipboard, installation with alternate joints
- 3. Vapor barrier

- 4. PHONOTECH RD starting rule
- 5. PHONOTECH DK acoustic panels (600 x 1200 mm)
- 6. Waterproofing membrane



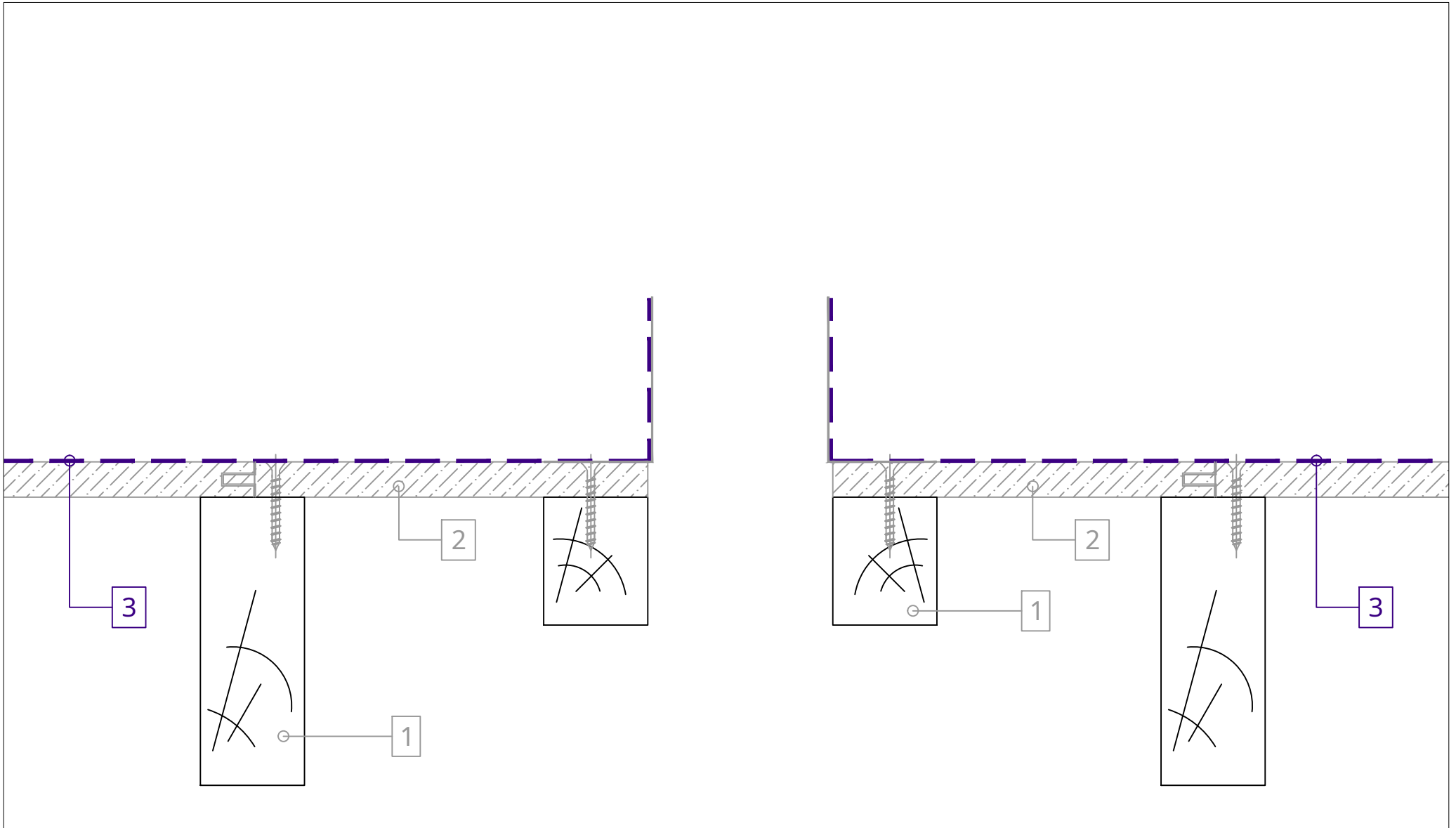
- 1. Supporting structure (frame) of the roof
- 2. P5 grooved/tongued chipboard, installation with alternate joints
- 3. Vapor barrier

- 4. PHONOTECH DK acoustic panels (600 x 1200 mm)
- 5. Waterproofing membrane



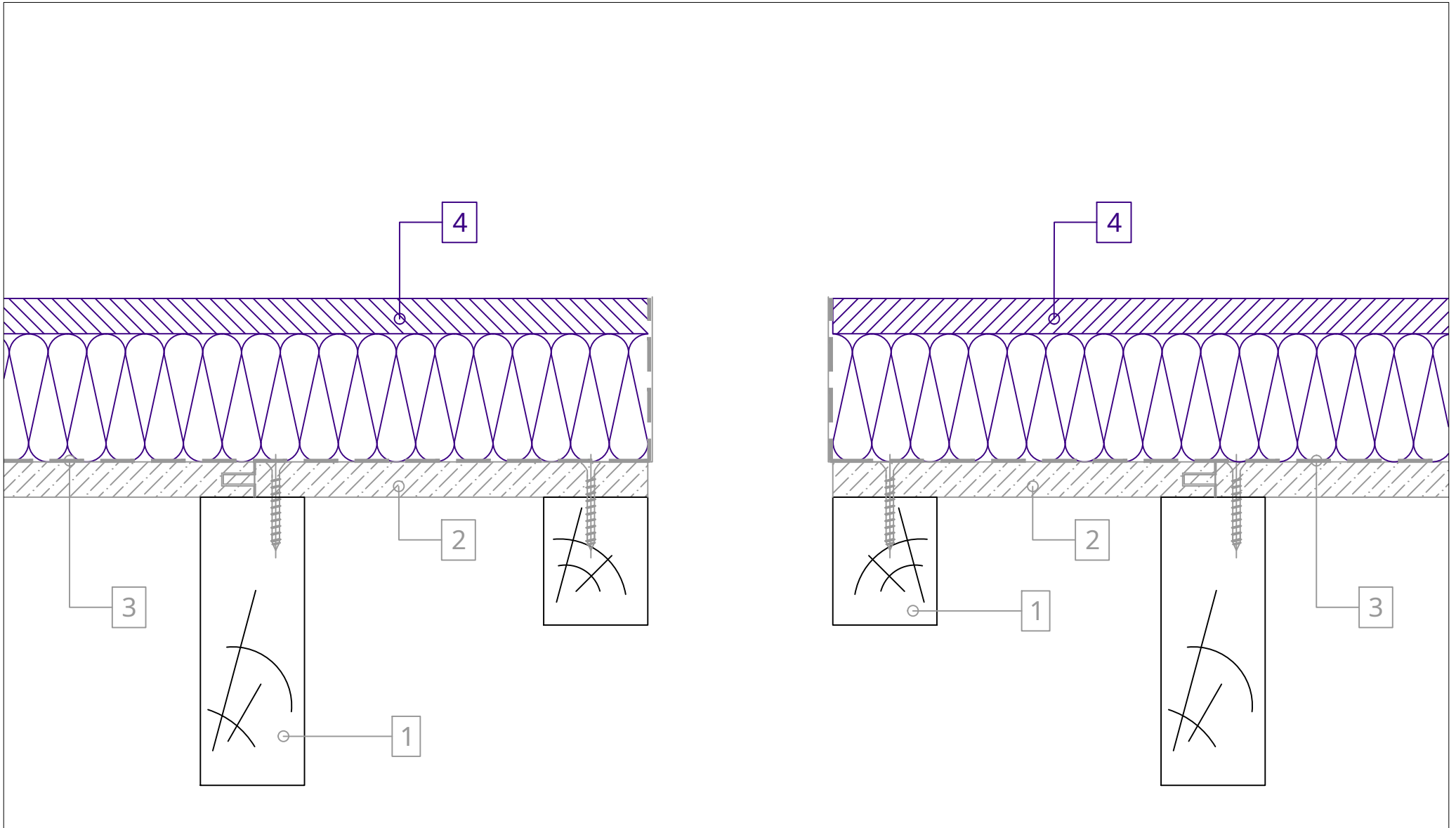
- 1. Supporting structure (frame) of the roof
- 2. P5 grooved/tongued chipboard, installation with alternate joints
- 3. Vapor barrier

- 4. PHONOTECH DK acoustic panels (600 x 1200 mm)
- 5. Waterproofing membrane



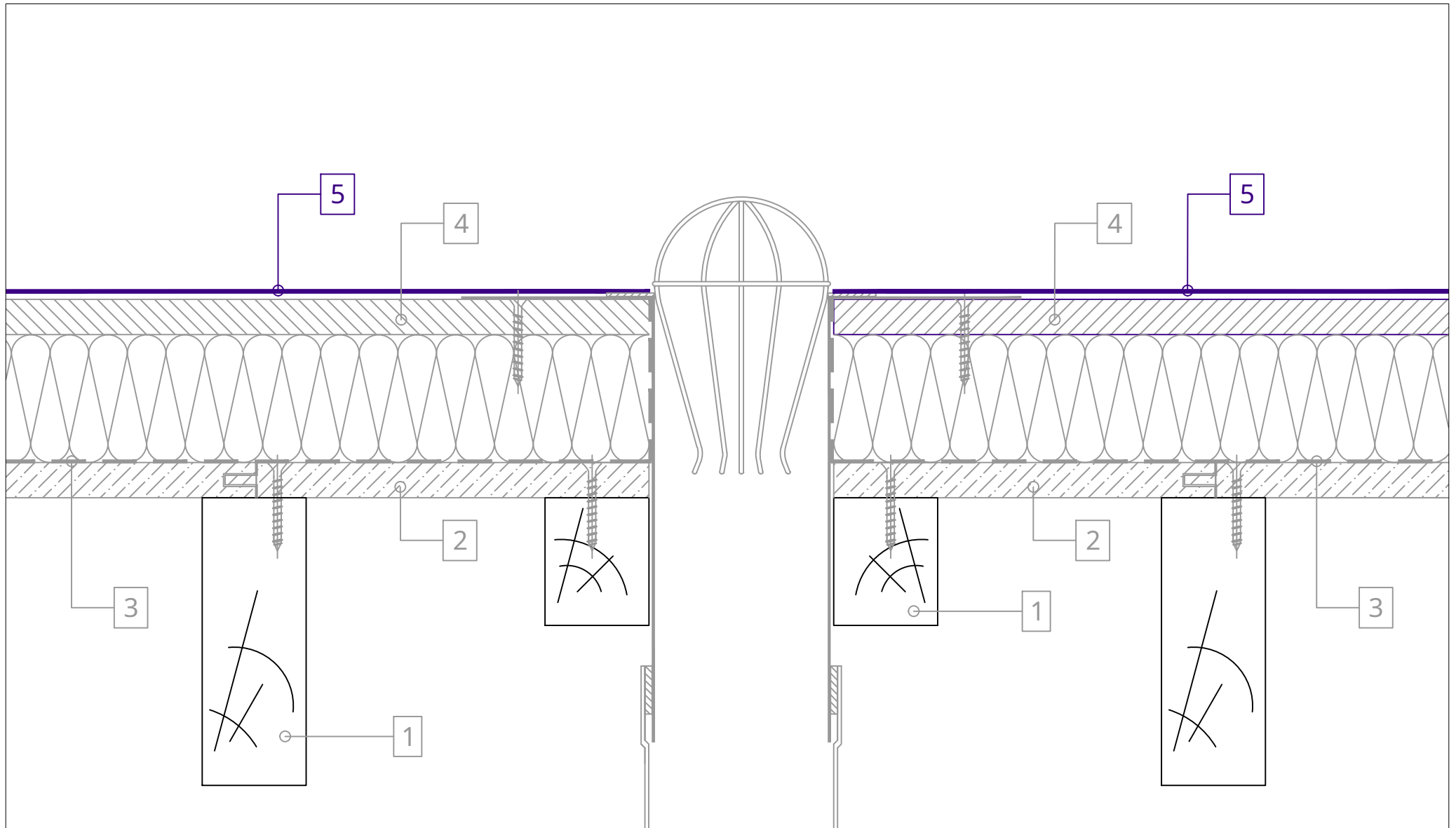
- 1. Supporting structure (frame) of the roof
- 2. P5 grooved/tongued chipboard, installation with alternate joints
- 3. Vapor barrier

- 4. PHONOTECH DK acoustic panels (600 x 1200 mm)
- 5. Waterproofing membrane



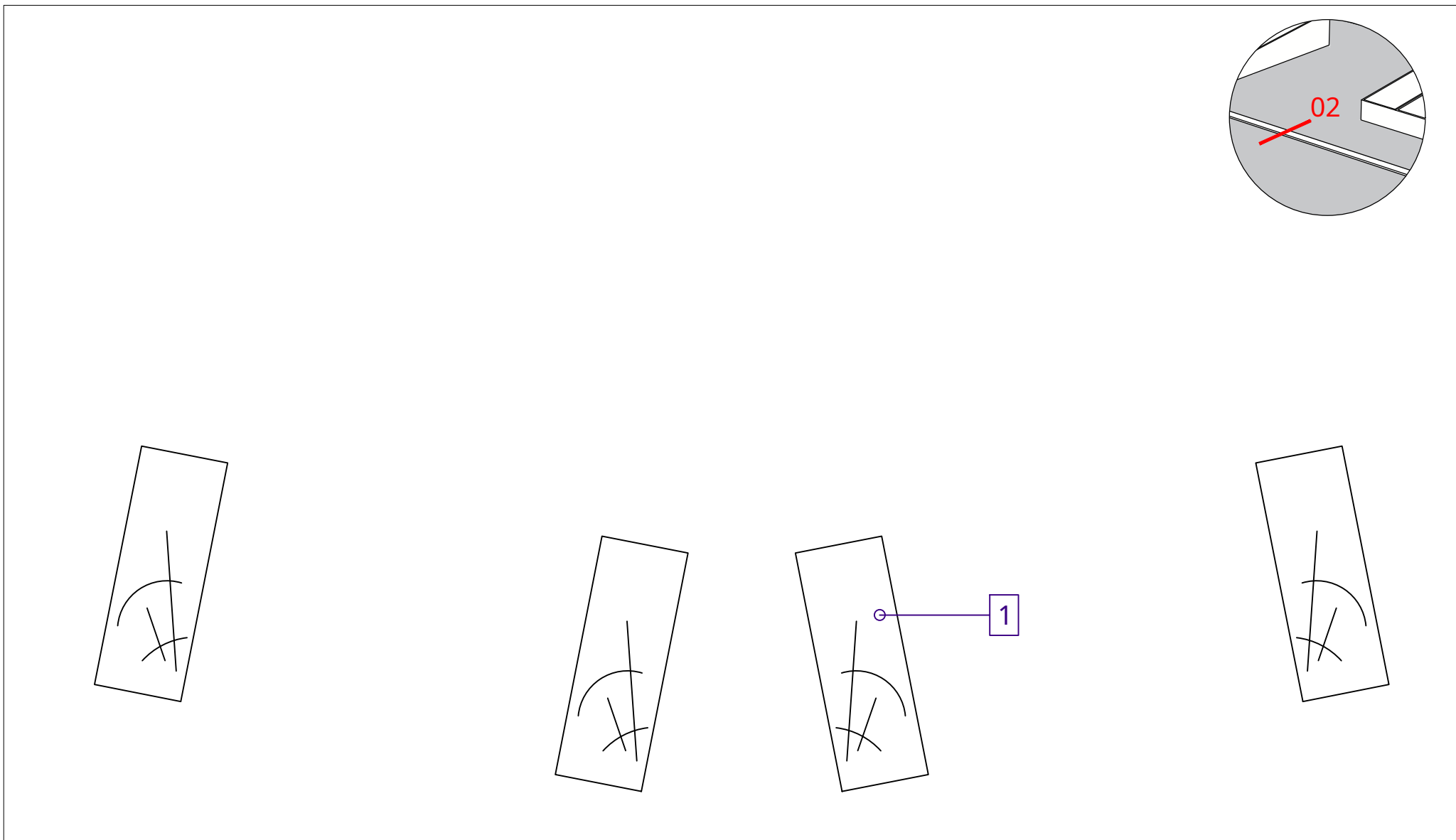
- 1. Supporting structure (frame) of the roof
- 2. P5 grooved/tongued chipboard, installation with alternate joints
- 3. Vapor barrier

- 4. PHONOTECH DK acoustic panels (600 x 1200 mm)
- 5. Waterproofing membrane



- 1. Supporting structure (frame) of the roof
- 2. P5 grooved/tongued chipboard, installation with alternate joints
- 3. Vapor barrier

- 4. PHONOTECH DK acoustic panels (600 x 1200 mm)
- 5. Waterproofing membrane



1. Supporting structure (frame) of the roof

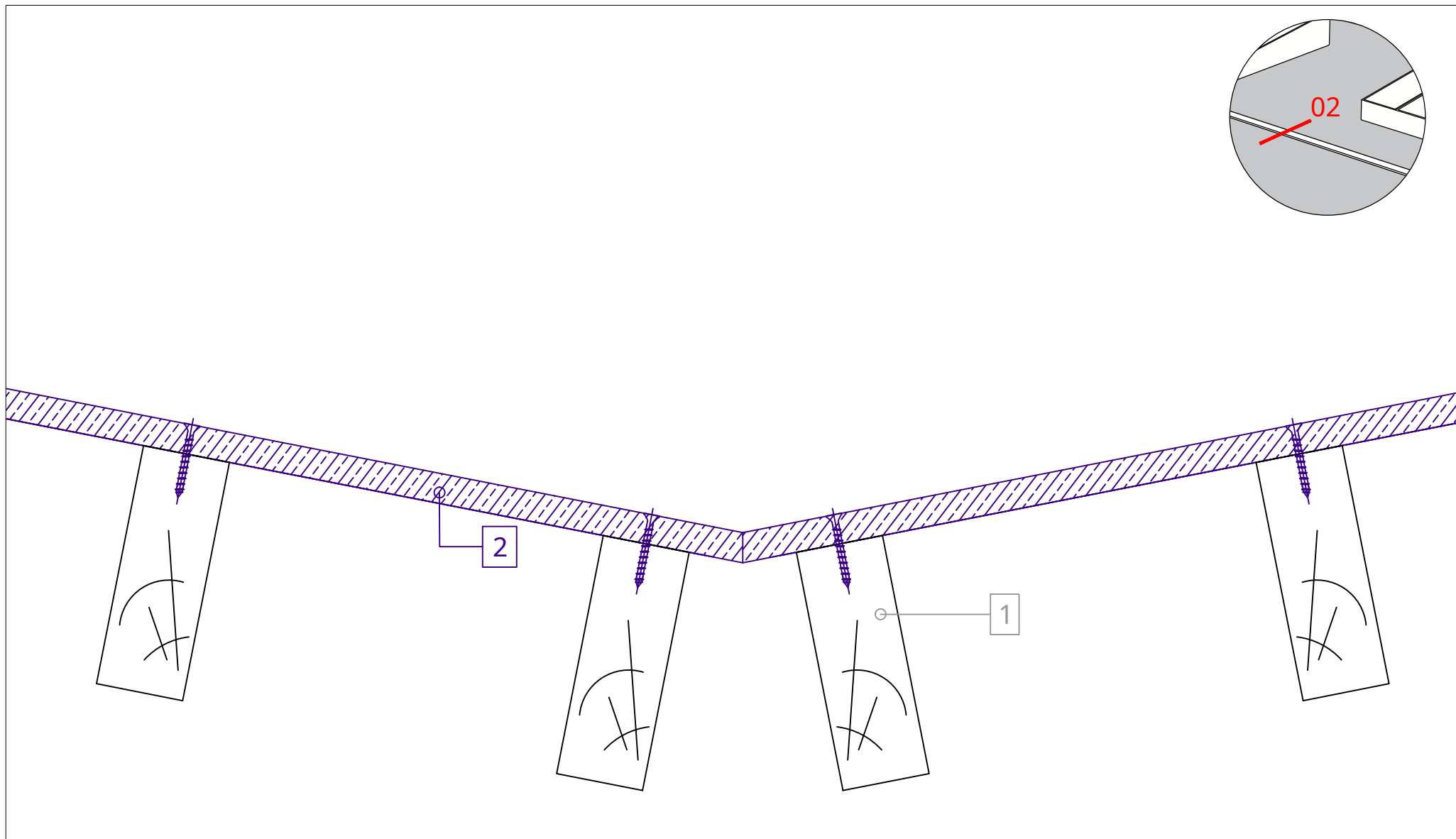
2. P5 grooved/tongued chipboard, installation with alternate joints

3. Vapor barrier

4. PHONOTECH RD starting rule

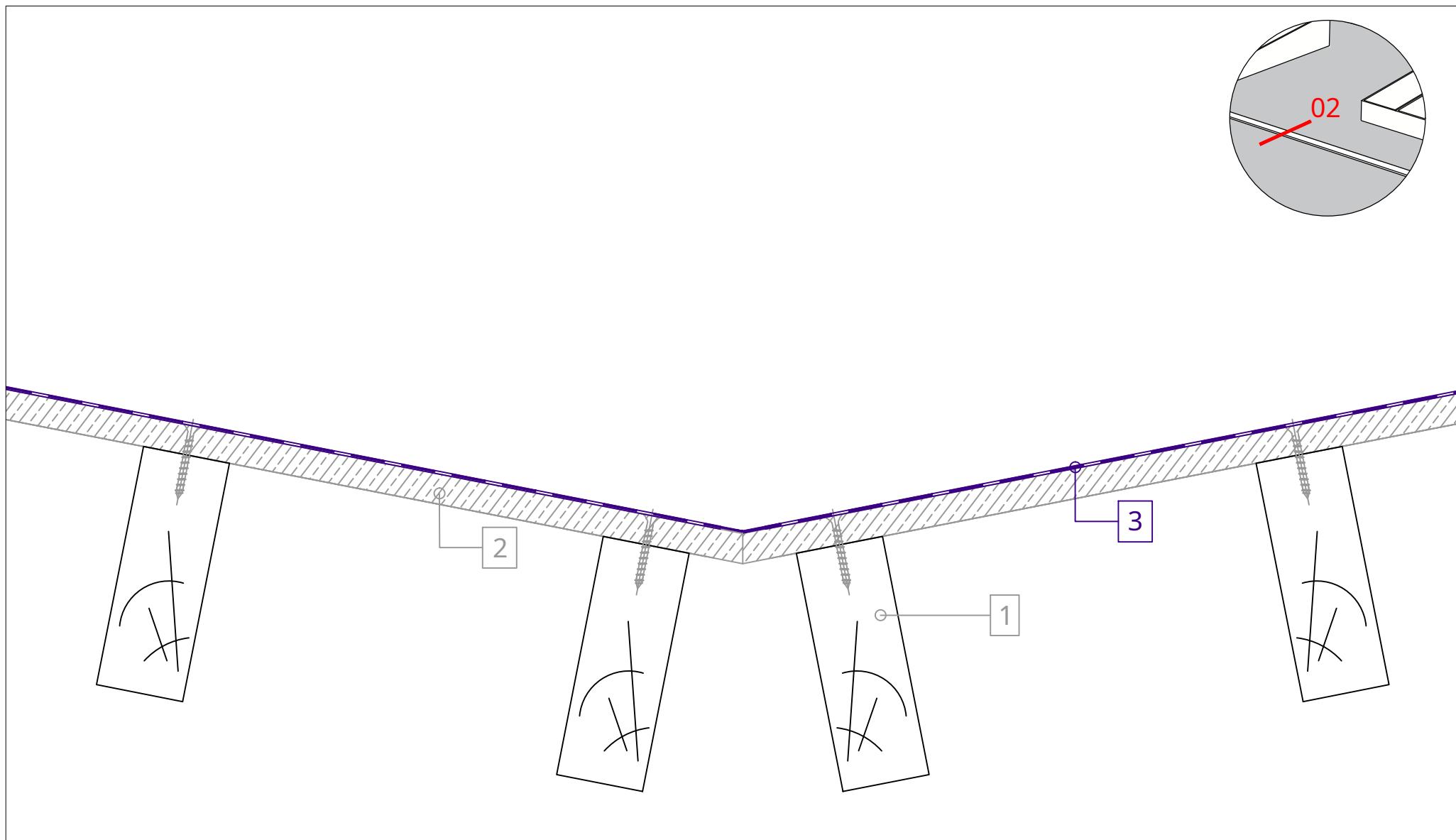
5. PHONOTECH DK acoustic panels (600 x 1200 mm)

6. Waterproofing membrane



- 1. Supporting structure (frame) of the roof
- 2. P5 grooved/tongued chipboard, installation with alternate joints
- 3. Vapor barrier

- 4. PHONOTECH RD starting rule
- 5. PHONOTECH DK acoustic panels (600 x 1200 mm)
- 6. Waterproofing membrane

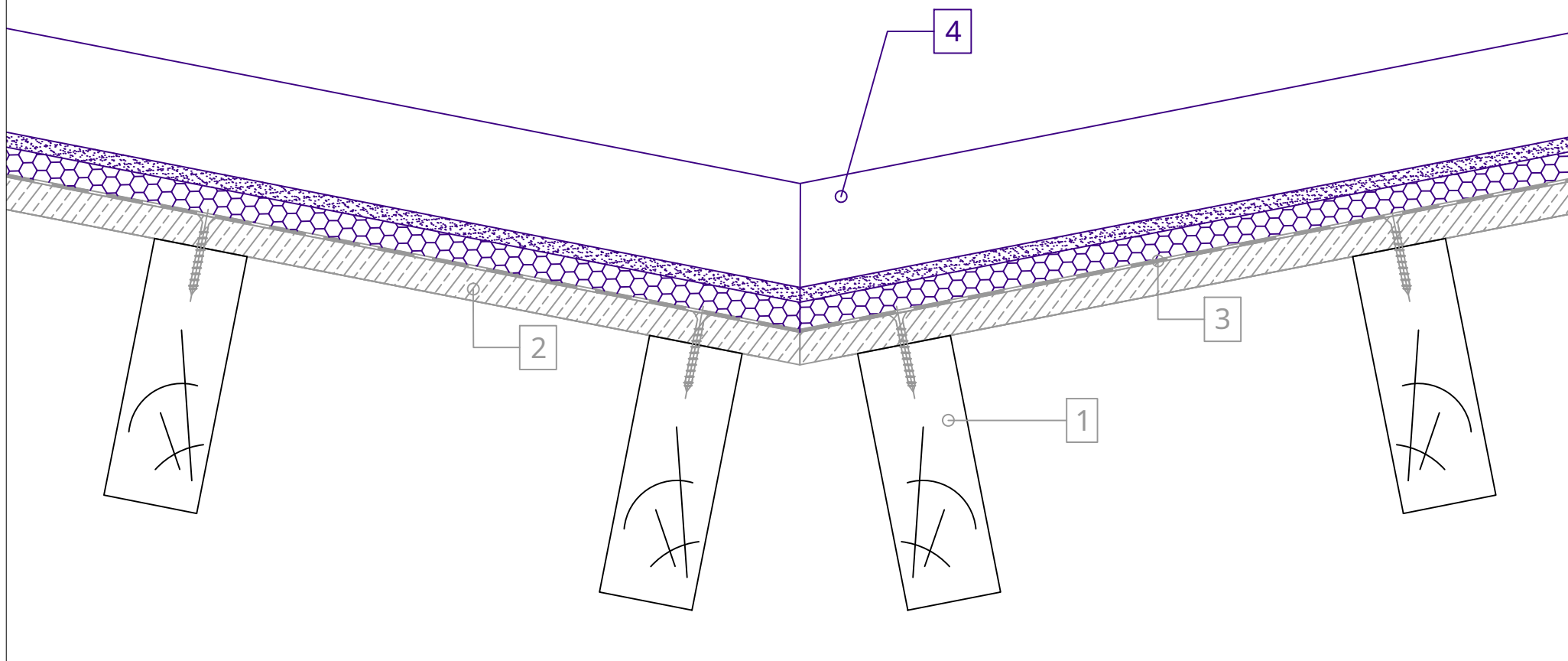
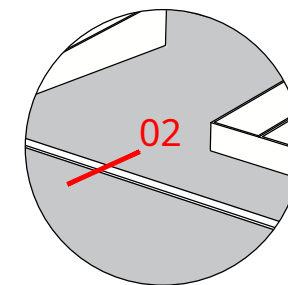


- 1. Supporting structure (frame) of the roof
- 2. P5 grooved/tongued chipboard, installation with alternate joints
- 3. Vapor barrier

- 4. PHONOTECH RD starting rule
- 5. PHONOTECH DK acoustic panels (600 x 1200 mm)
- 6. Waterproofing membrane

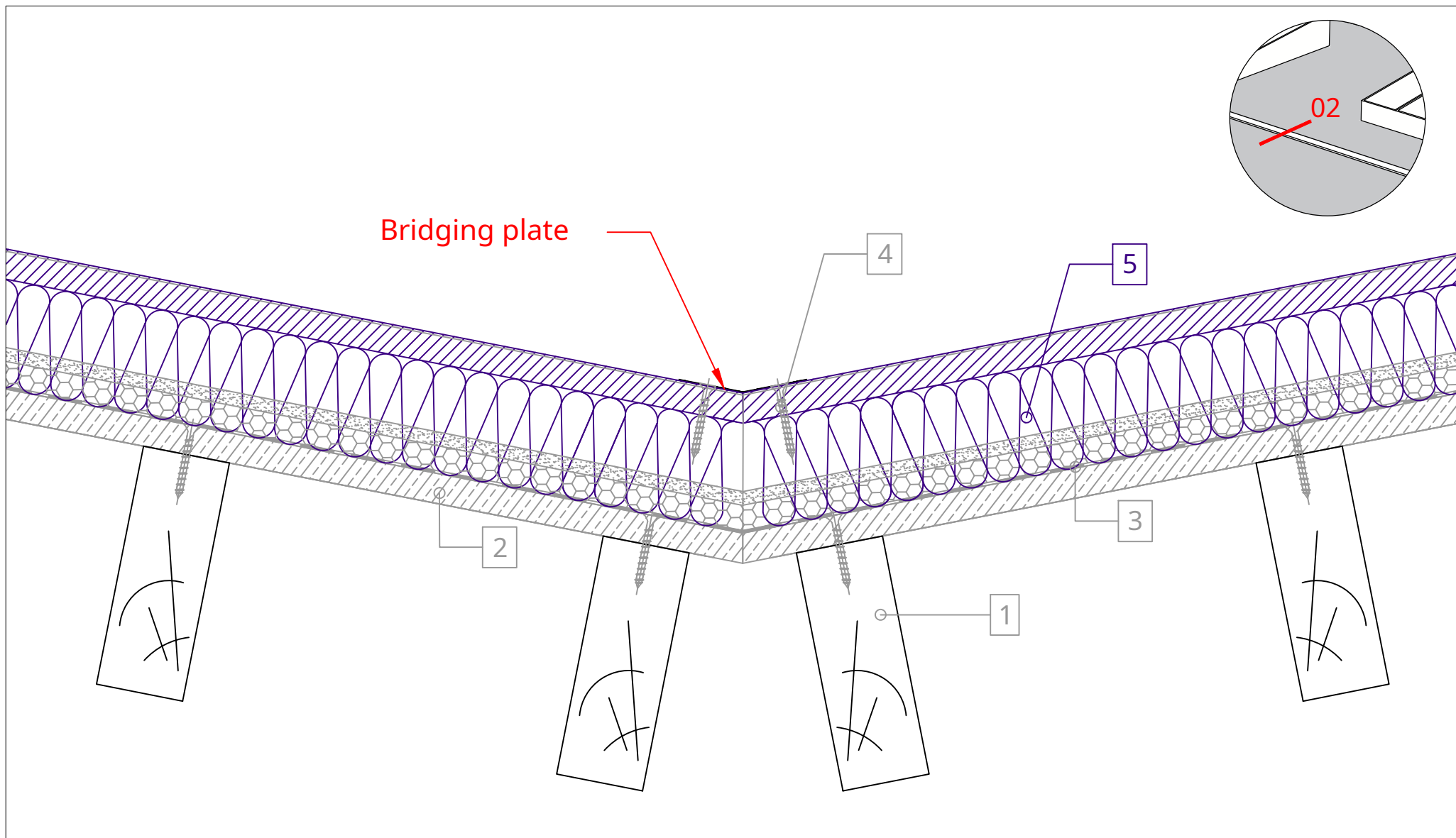


- *Compress the mattress for tightening*
- *The last rule is to cut to size*
- *The rulers are cut at an angle for a perfect junction*



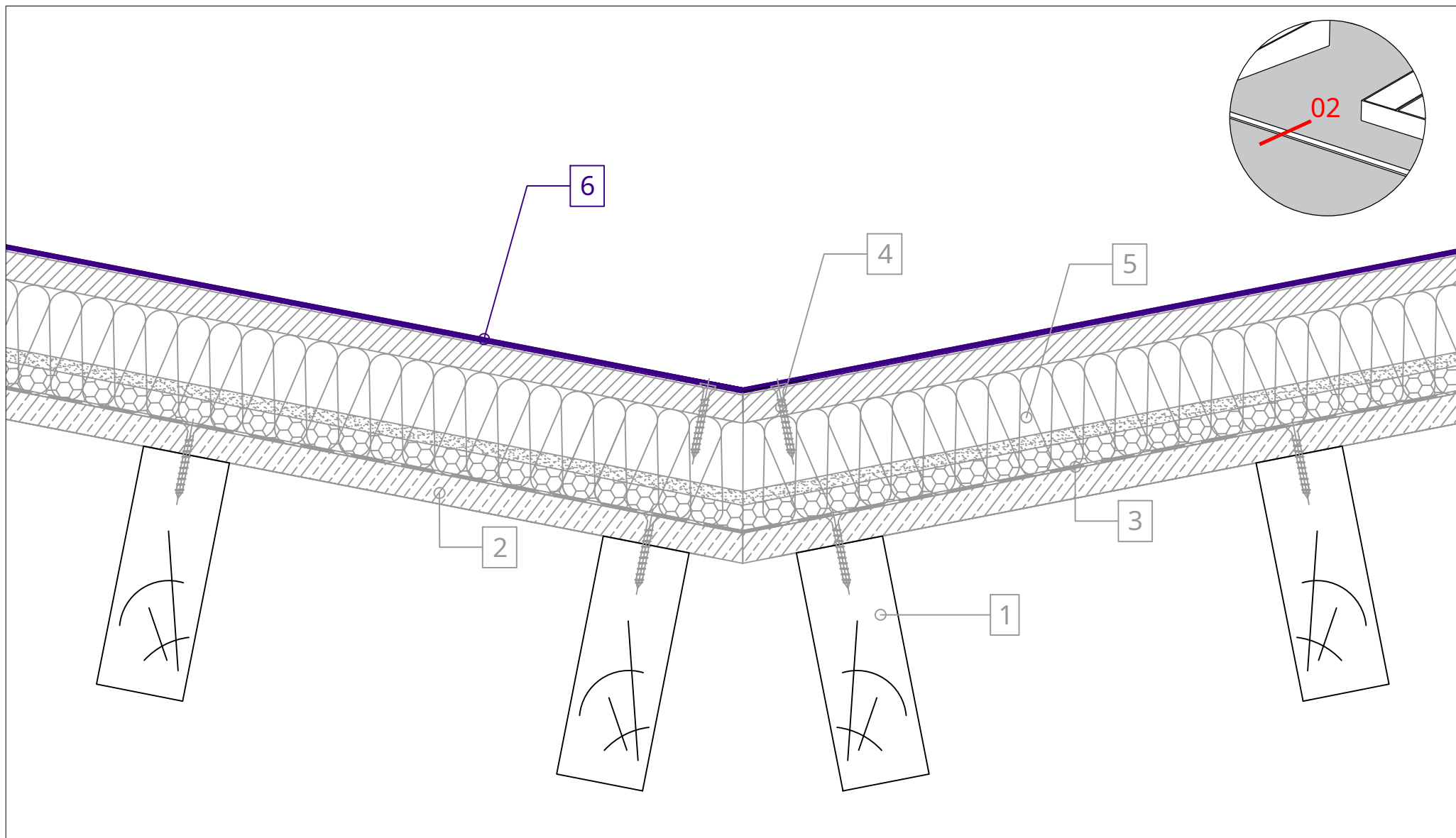
1. Supporting structure (frame) of the roof
2. P5 grooved/tongued chipboard, installation with alternate joints
3. Vapor barrier

4. PHONOTECH RD starting rule
5. PHONOTECH DK acoustic panels (600 x 1200 mm)
6. Waterproofing membrane



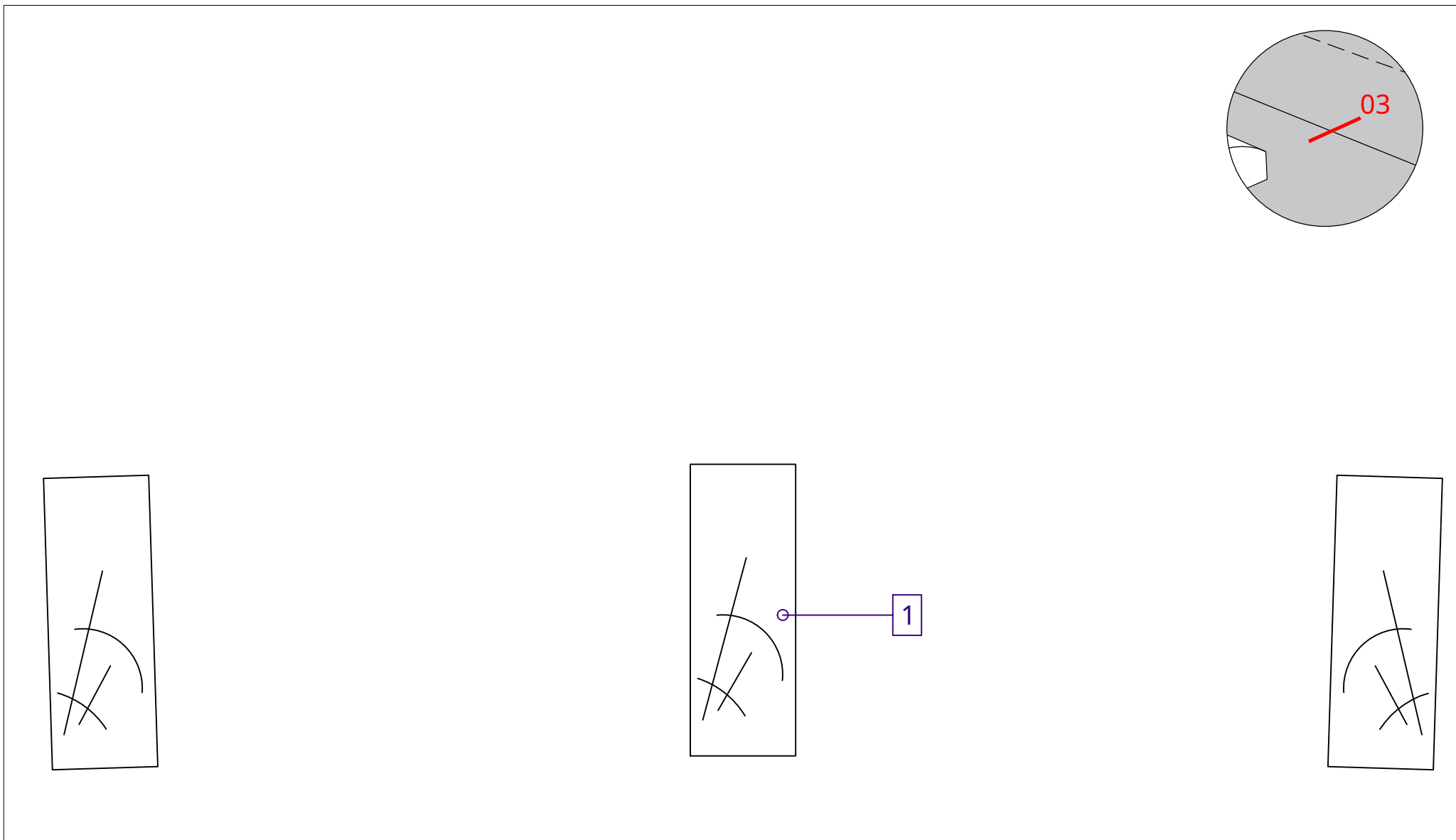
- 1. Supporting structure (frame) of the roof
- 2. P5 grooved/tongued chipboard, installation with alternate joints
- 3. Vapor barrier

- 4. PHONOTECH RD starting rule
- 5. PHONOTECH DK acoustic panels (600 x 1200 mm)
- 6. Waterproofing membrane



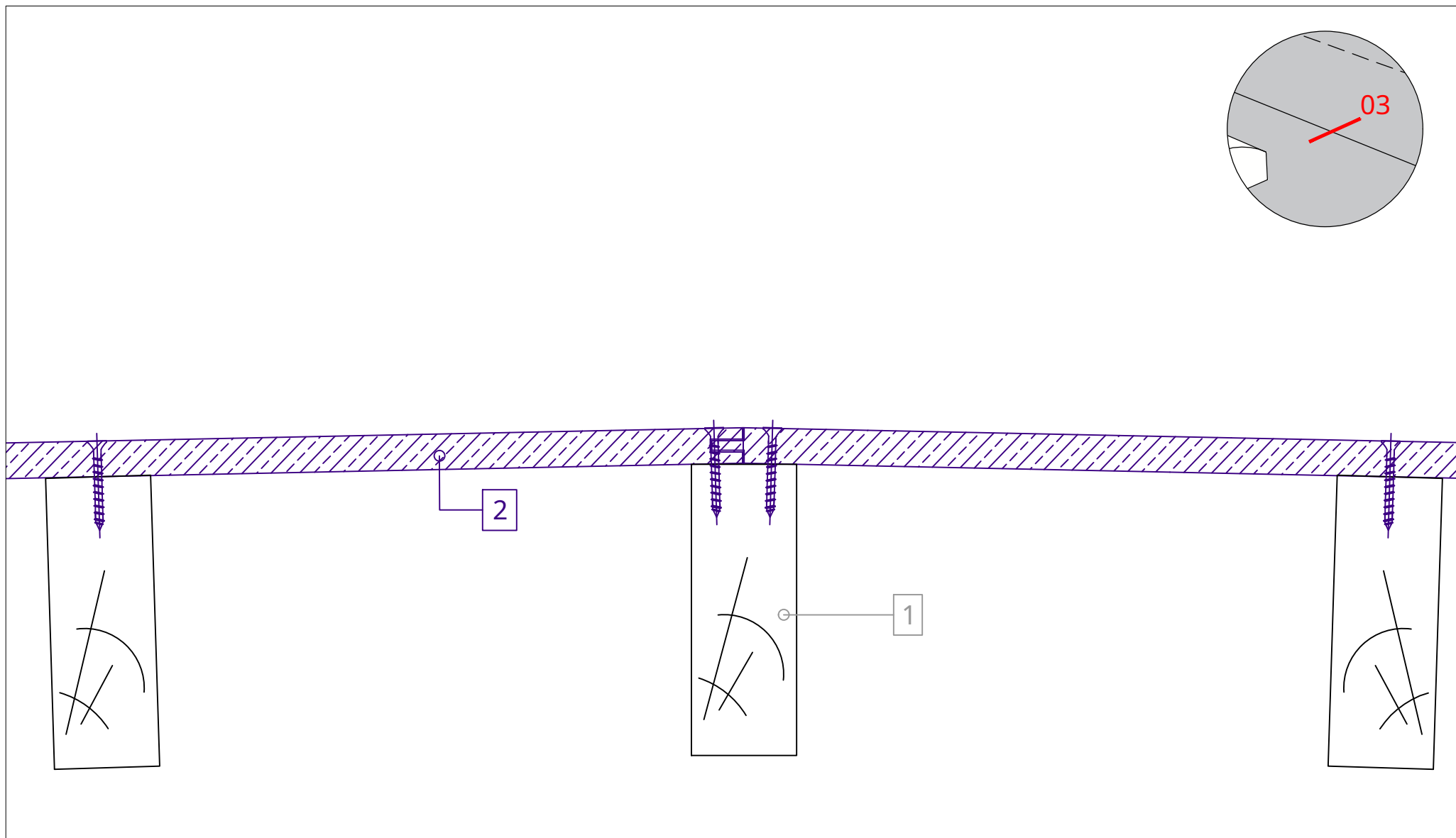
- 1. Supporting structure (frame) of the roof
- 2. P5 grooved/tongued chipboard, installation with alternate joints
- 3. Vapor barrier

- 4. PHONOTECH RD starting rule
- 5. PHONOTECH DK acoustic panels (600 x 1200 mm)
- 6. Waterproofing membrane



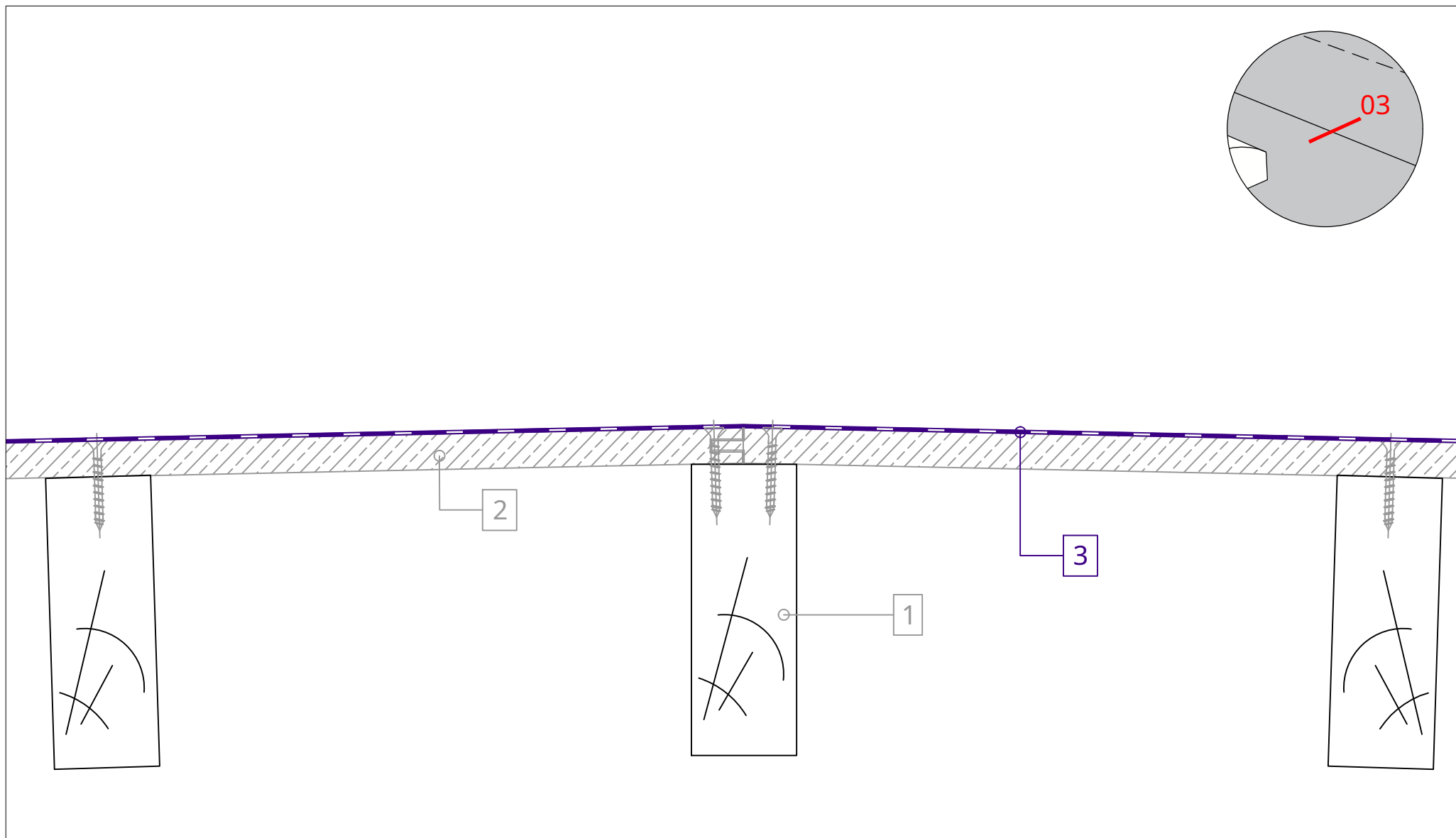
- 1. Supporting structure (frame) of the roof
- 2. P5 grooved/tongued chipboard, installation with alternate joints
- 3. Vapor barrier

- 4. PHONOTECH RM assembly rule
- 5. PHONOTECH DK acoustic panels (600 x 1200 mm)
- 6. Waterproofing membrane



- 1. Supporting structure (frame) of the roof
- 2. P5 grooved/tongued chipboard, installation with alternate joints
- 3. Vapor barrier

- 4. PHONOTECH RM assembly rule
- 5. PHONOTECH DK acoustic panels (600 x 1200 mm)
- 6. Waterproofing membrane

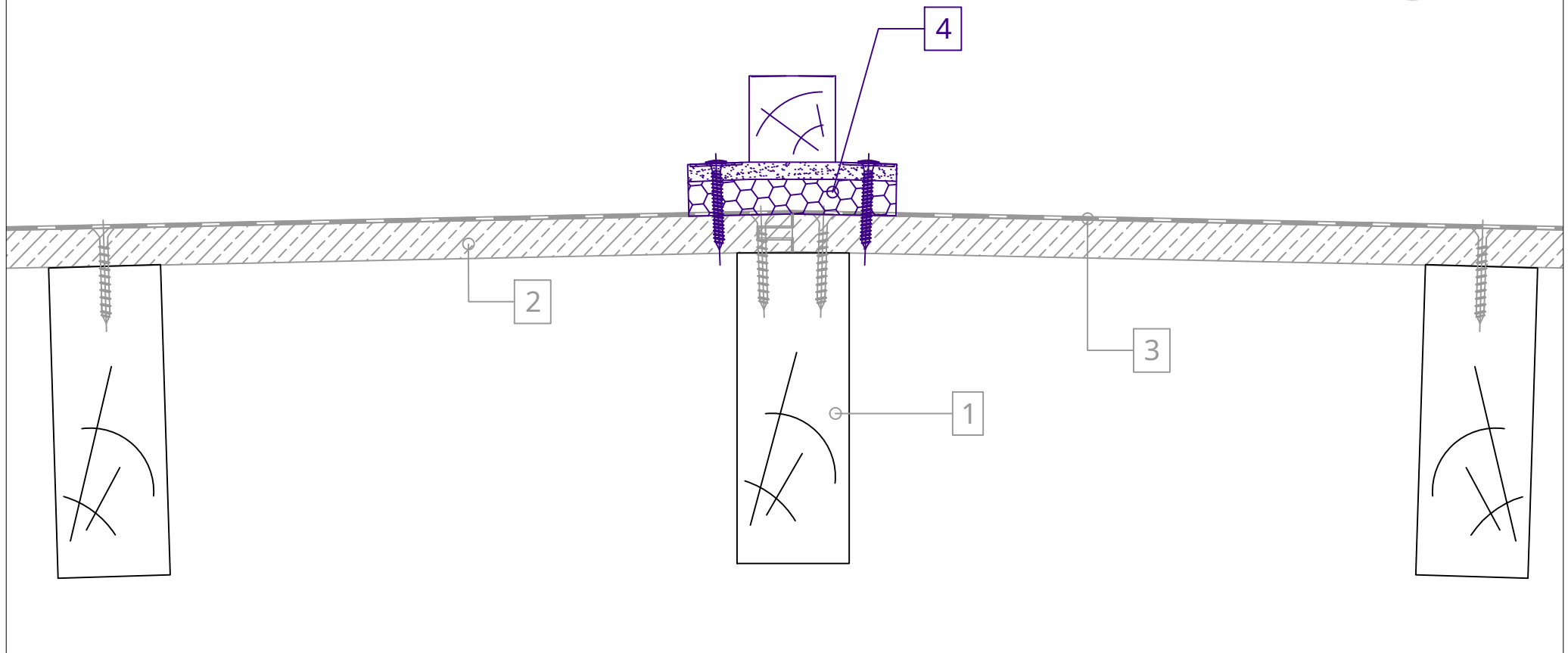
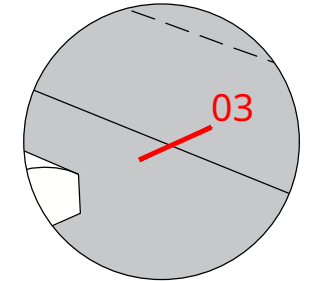


- 1. Supporting structure (frame) of the roof
- 2. P5 grooved/tongued chipboard, installation with alternate joints
- 3. Vapor barrier

- 4. PHONOTECH RM assembly rule
- 5. PHONOTECH DK acoustic panels (600 x 1200 mm)
- 6. Waterproofing membrane

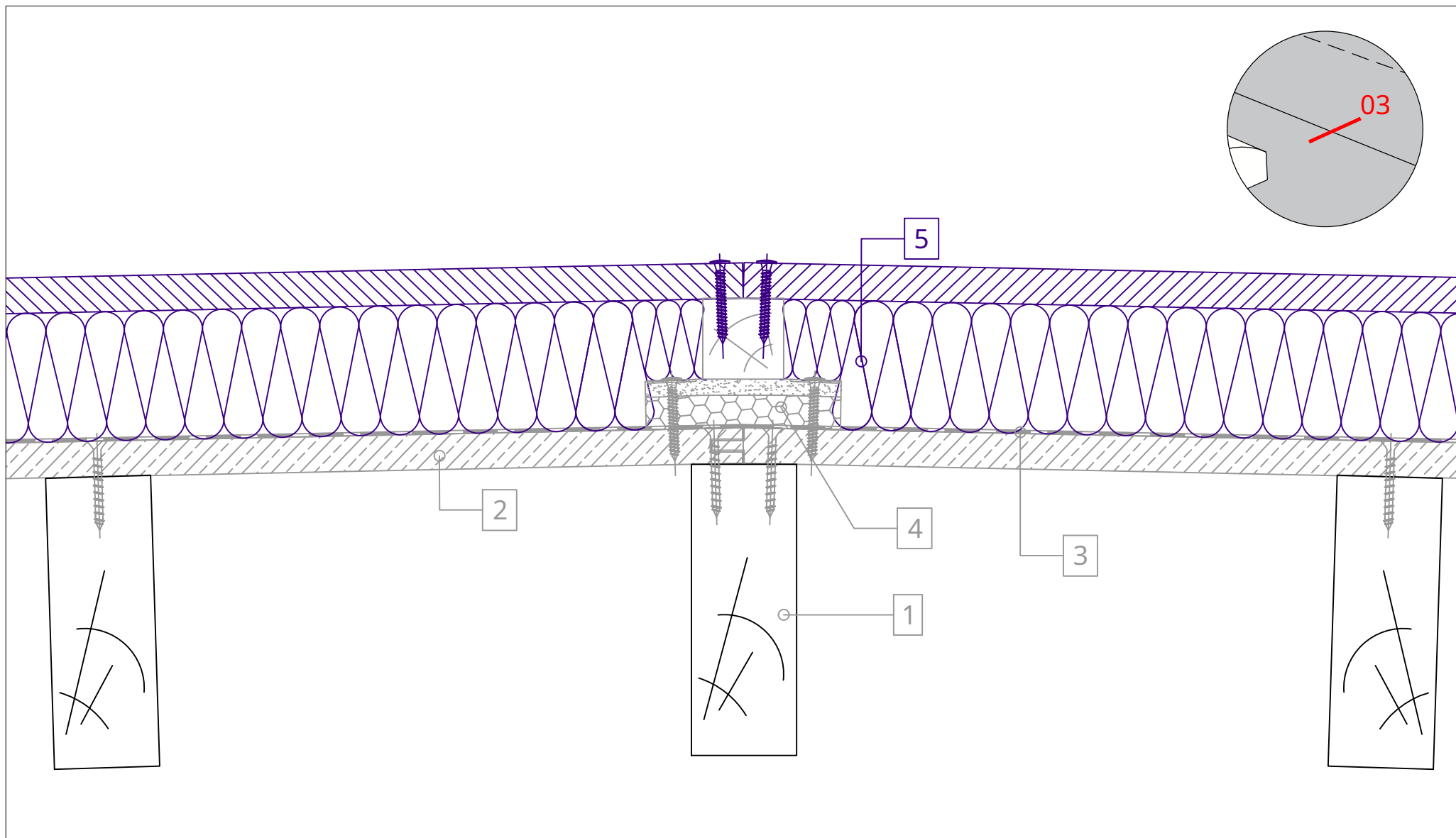


- Compress the mattress for tightening
- The last rule is to cut to size



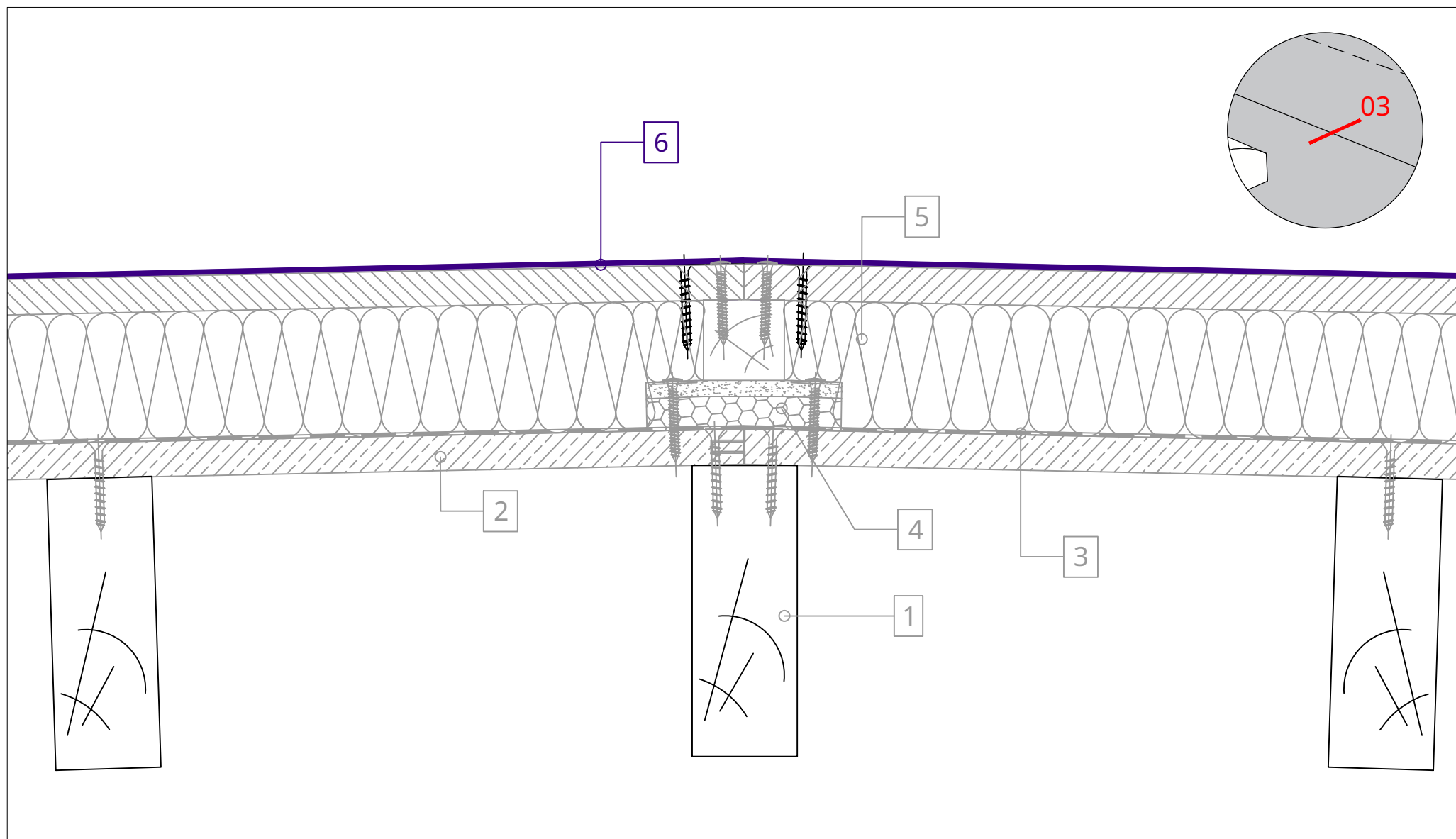
- 1. Supporting structure (frame) of the roof
- 2. P5 grooved/tongued chipboard, installation with alternate joints
- 3. Vapor barrier

- 4. PHONOTECH RM assembly rule
- 5. PHONOTECH DK acoustic panels (600 x 1200 mm)
- 6. Waterproofing membrane



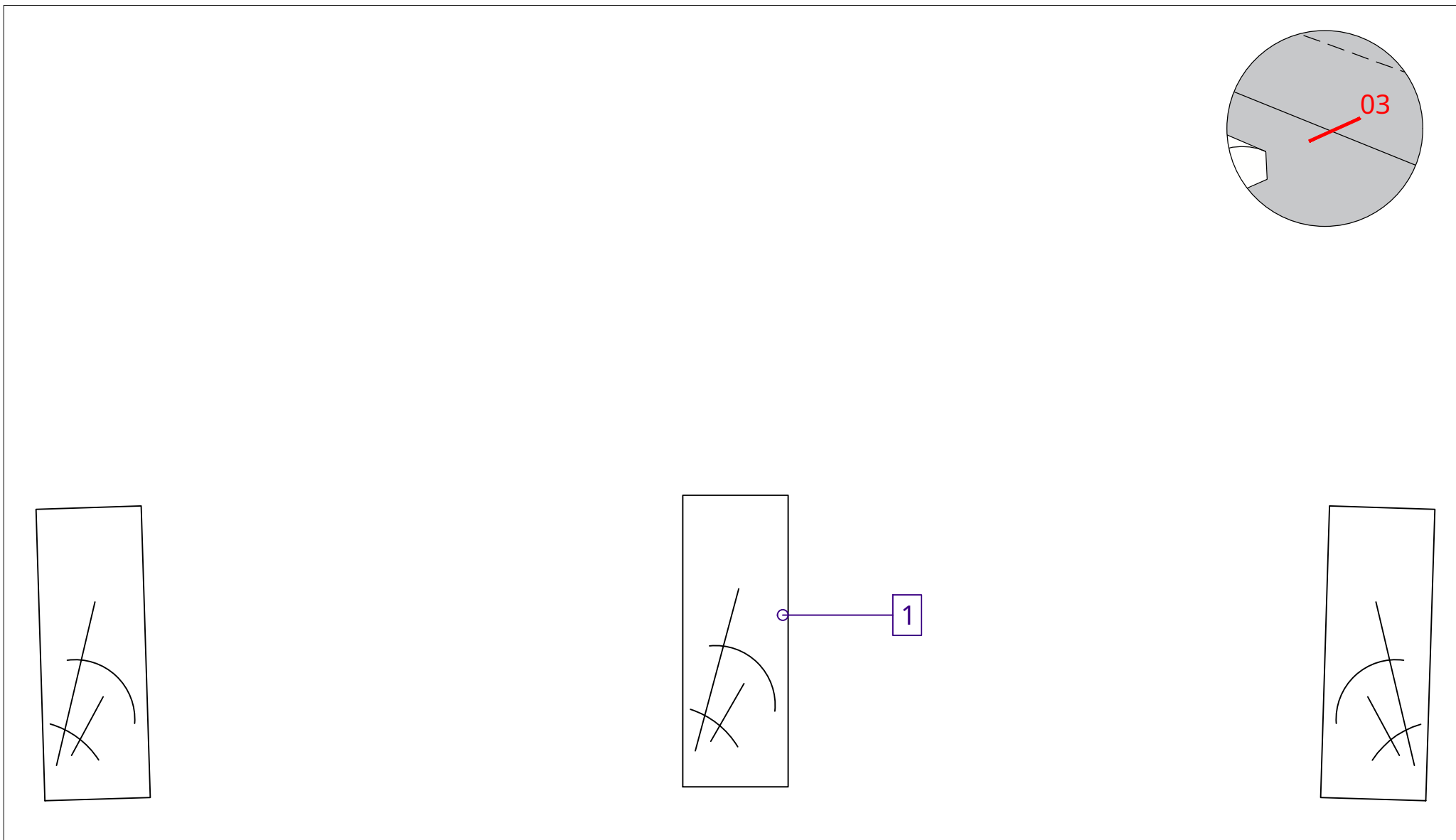
- 1. Supporting structure (frame) of the roof
- 2. P5 grooved/tongued chipboard, installation with alternate joints
- 3. Vapor barrier

- 4. PHONOTECH RM assembly rule
- 5. PHONOTECH DK acoustic panels (600 x 1200 mm)
- 6. Waterproofing membrane



- 1. Supporting structure (frame) of the roof
- 2. P5 grooved/tongued chipboard, installation with alternate joints
- 3. Vapor barrier

- 4. PHONOTECH RM assembly rule
- 5. PHONOTECH DK acoustic panels (600 x 1200 mm)
- 6. Waterproofing membrane



1. Supporting structure (frame) of the roof

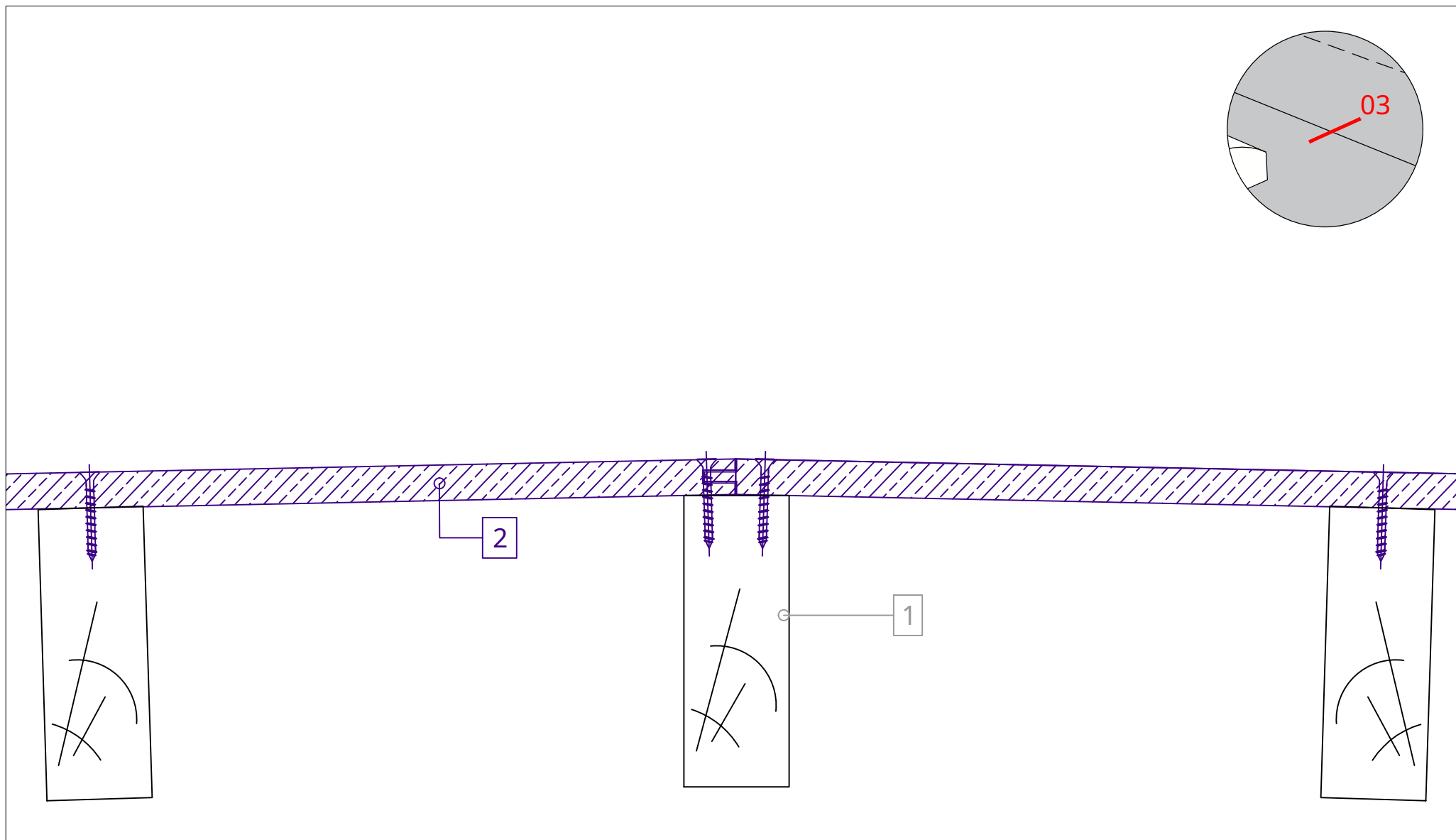
2. P5 grooved/tongued chipboard, installation with alternate joints

3. Vapor barrier

4. PHONOTECH RD starting rule

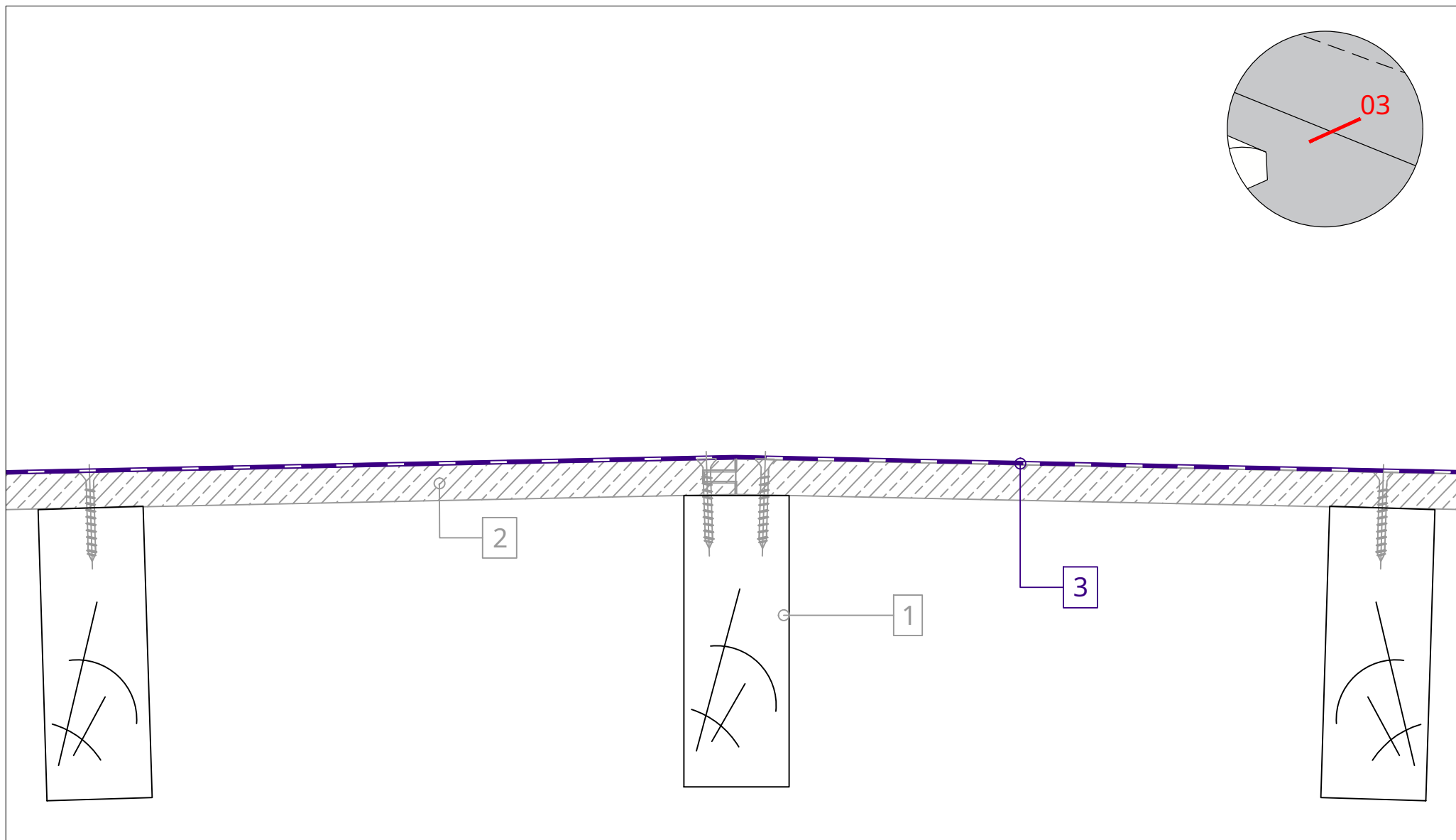
5. PHONOTECH DK acoustic panels (600 x 1200 mm)

6. Waterproofing membrane



- 1. Supporting structure (frame) of the roof
- 2. P5 grooved/tongued chipboard, installation with alternate joints
- 3. Vapor barrier

- 4. PHONOTECH RD starting rule
- 5. PHONOTECH DK acoustic panels (600 x 1200 mm)
- 6. Waterproofing membrane

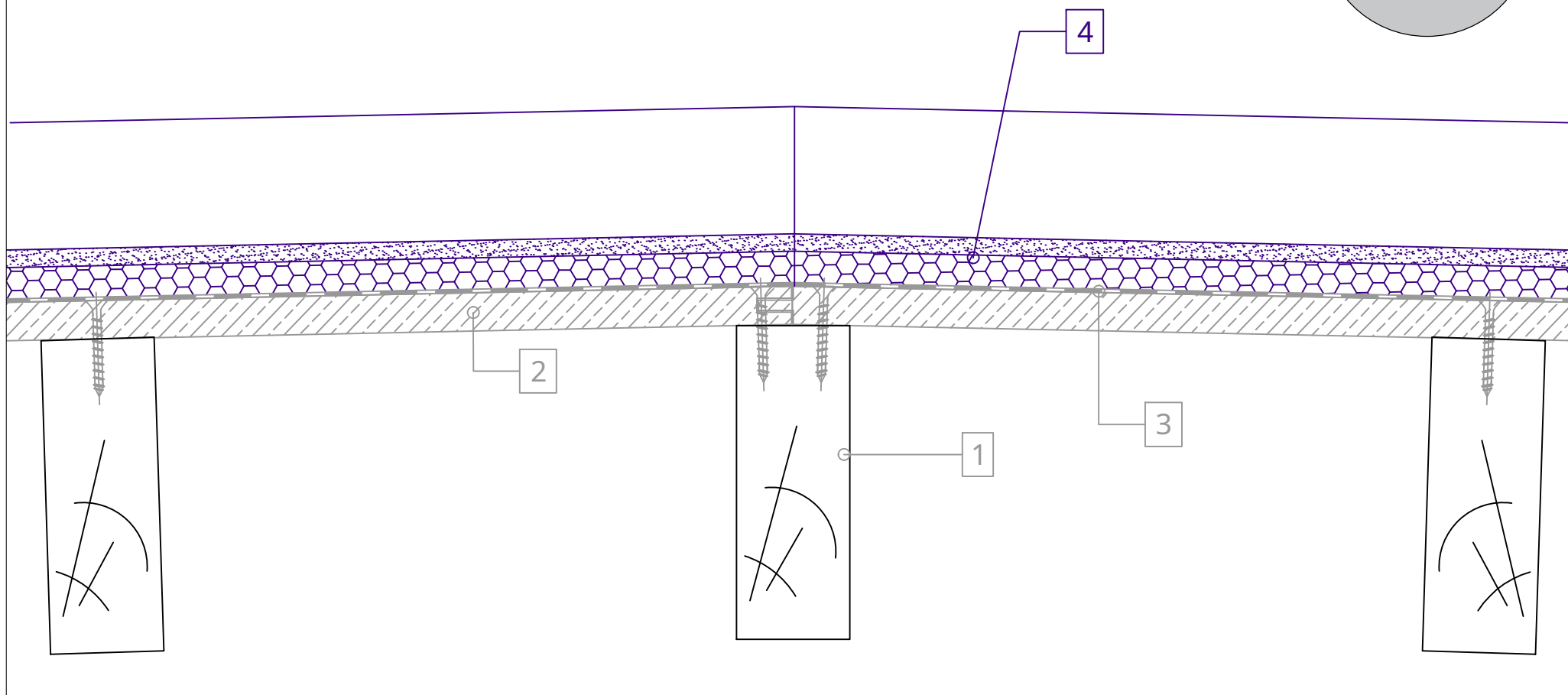
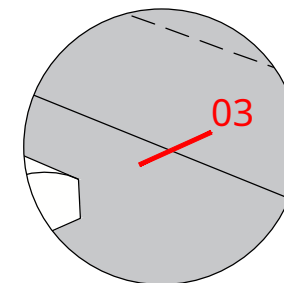


- 1. Supporting structure (frame) of the roof
- 2. P5 grooved/tongued chipboard, installation with alternate joints
- 3. Vapor barrier

- 4. PHONOTECH RD starting rule
- 5. PHONOTECH DK acoustic panels (600 x 1200 mm)
- 6. Waterproofing membrane

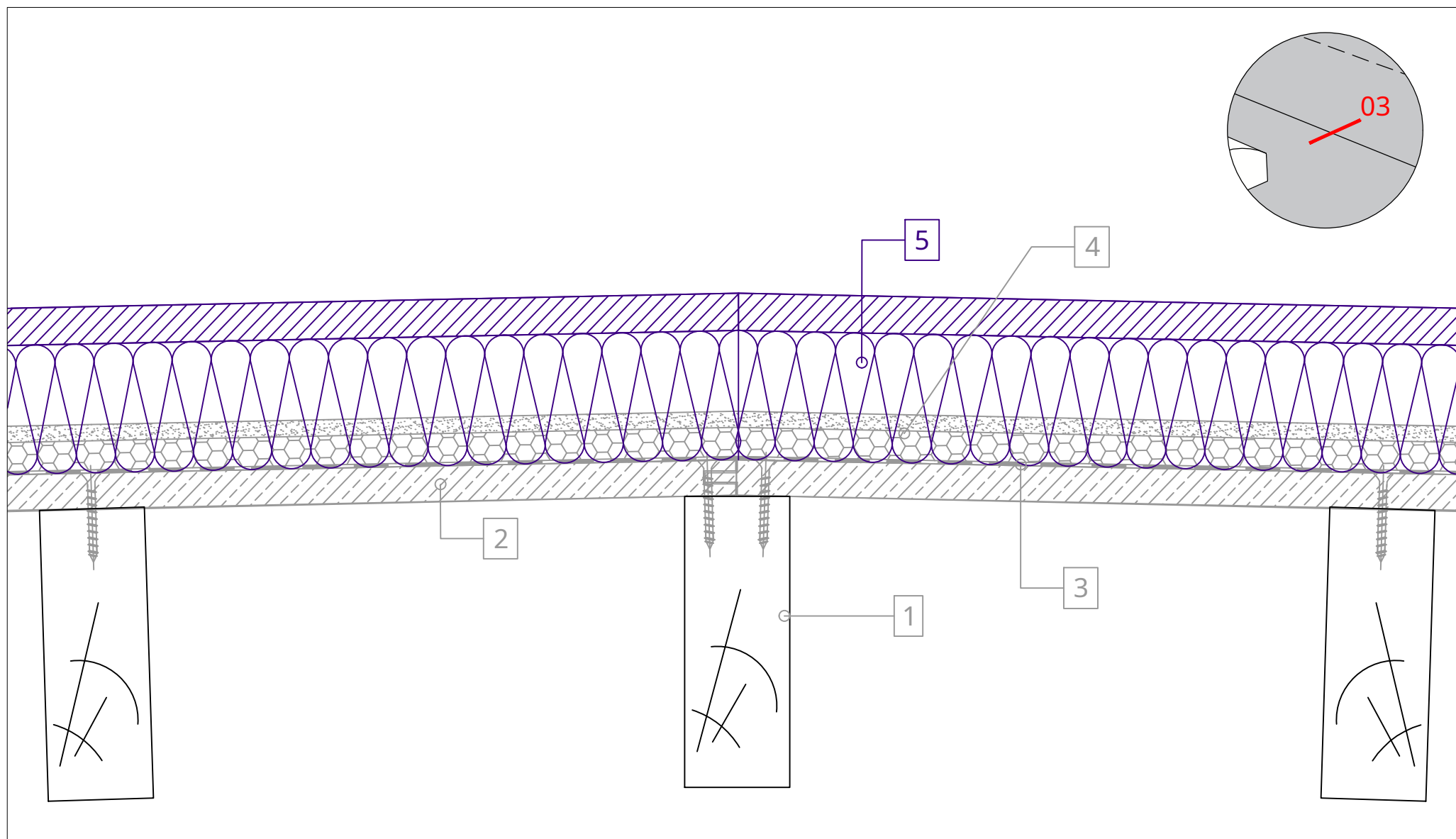


- Compress the mattress for tightening
- The last rule is to cut to size



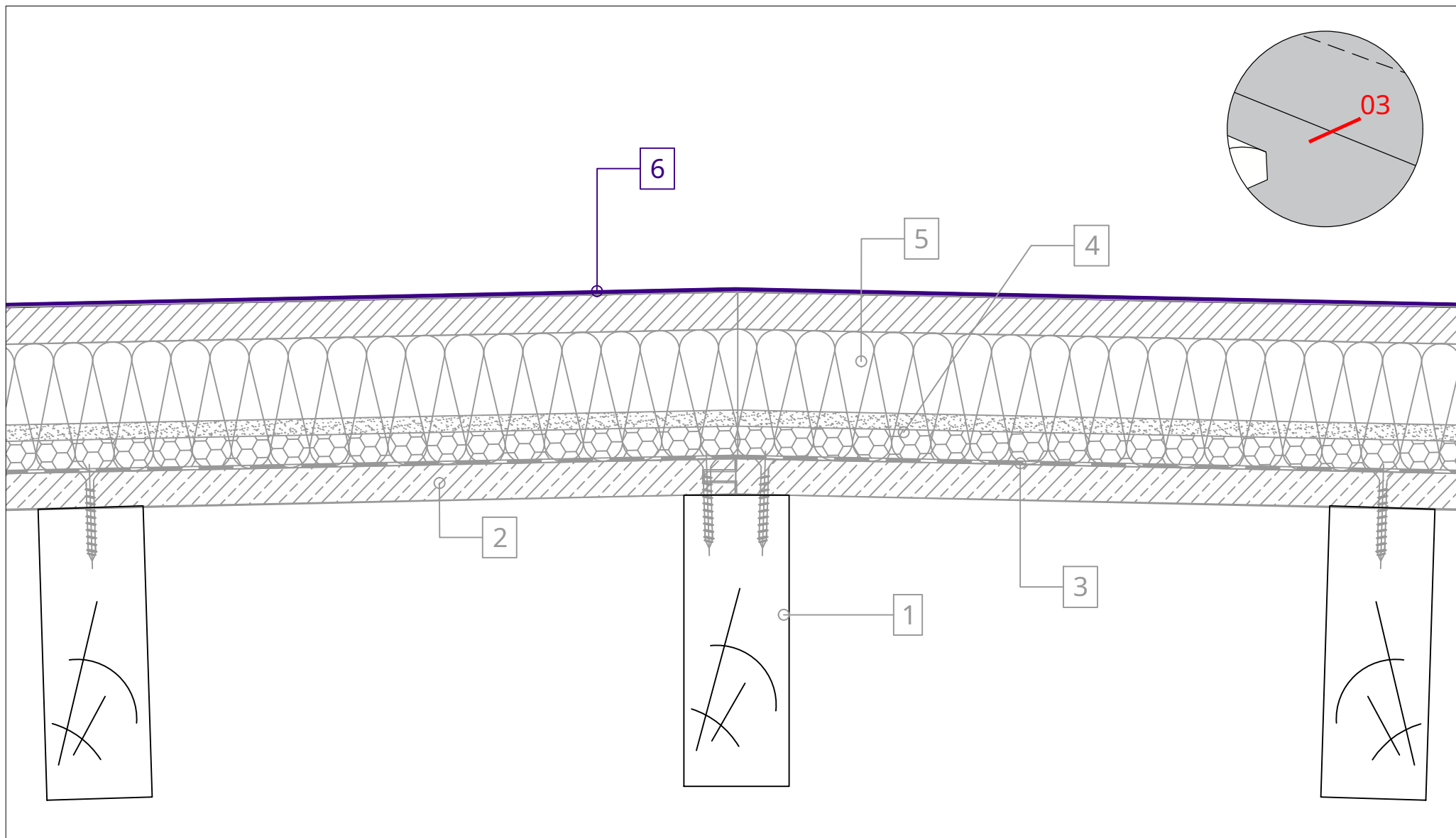
- 1. Supporting structure (frame) of the roof
- 2. P5 grooved/tongued chipboard, installation with alternate joints
- 3. Vapor barrier

- 4. PHONOTECH RD starting rule
- 5. PHONOTECH DK acoustic panels (600 x 1200 mm)
- 6. Waterproofing membrane



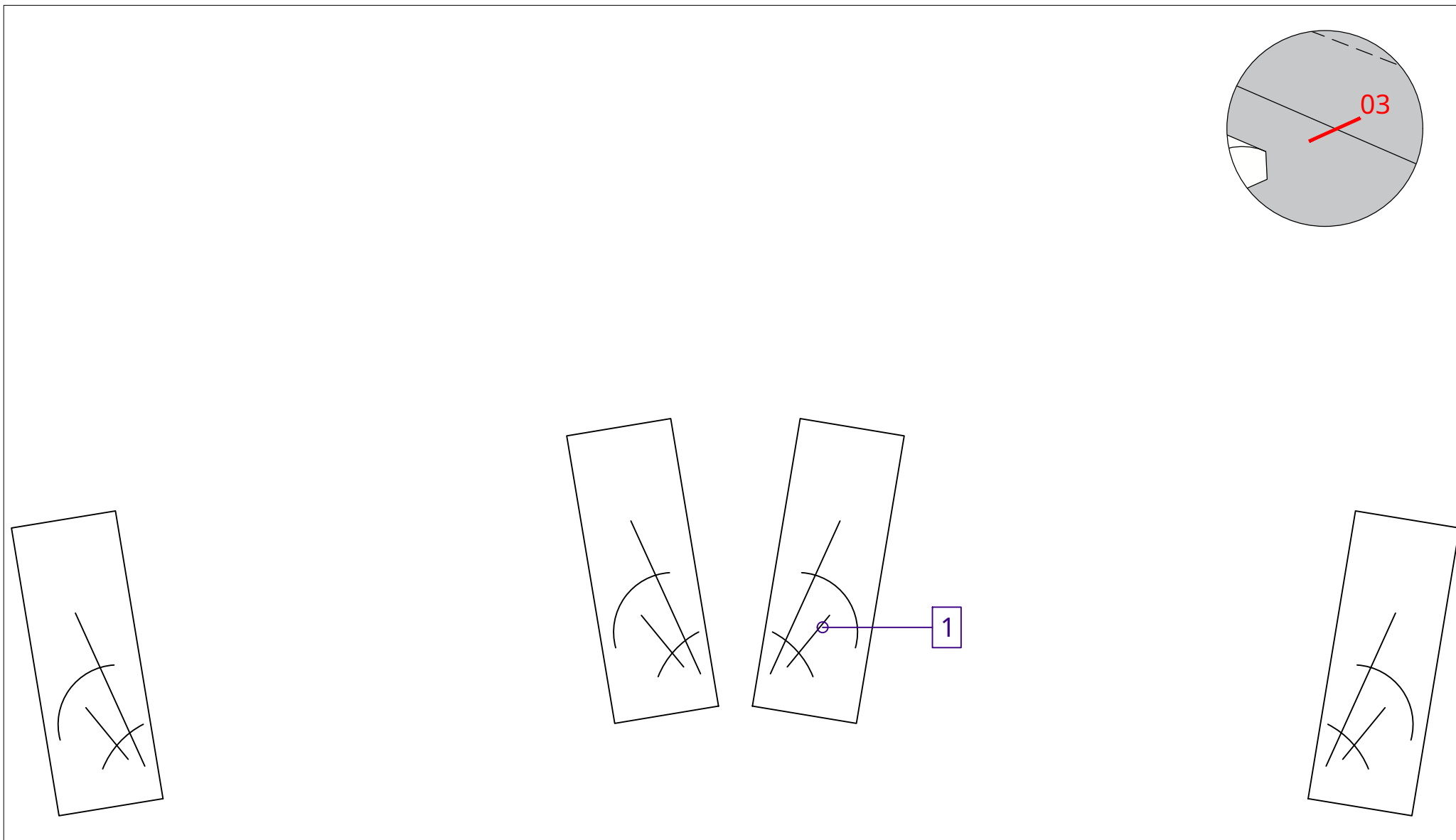
- 1. Supporting structure (frame) of the roof
- 2. P5 grooved/tongued chipboard, installation with alternate joints
- 3. Vapor barrier

- 4. PHONOTECH RD starting rule
- 5. PHONOTECH DK acoustic panels (600 x 1200 mm)
- 6. Waterproofing membrane



- 1. Supporting structure (frame) of the roof
- 2. P5 grooved/tongued chipboard, installation with alternate joints
- 3. Vapor barrier

- 4. PHONOTECH RD starting rule
- 5. PHONOTECH DK acoustic panels (600 x 1200 mm)
- 6. Waterproofing membrane



1. Supporting structure (frame) of the roof

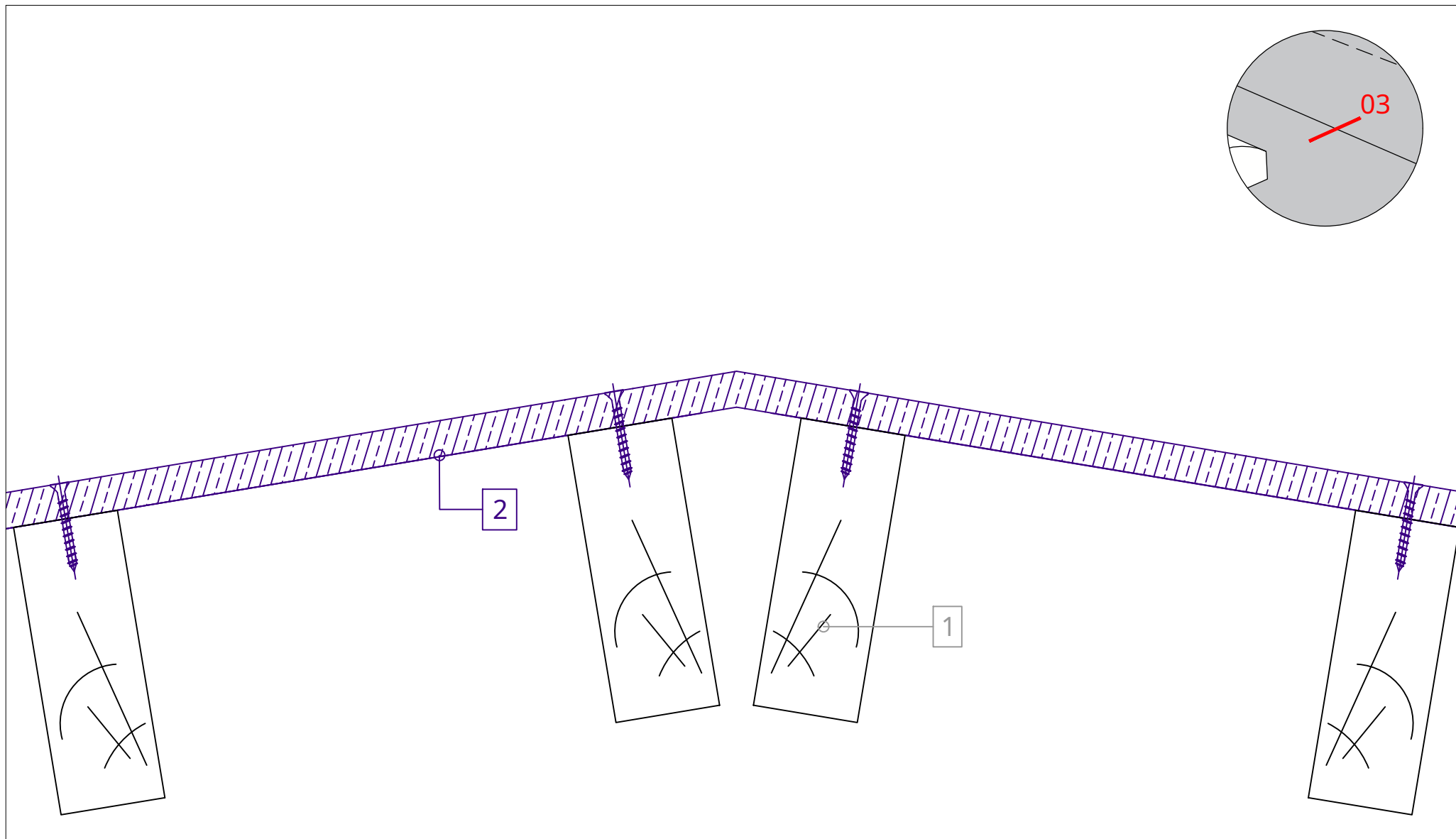
2. P5 grooved/tongued chipboard, installation with alternate joints

3. Vapor barrier

4. PHONOTECH RD starting rule

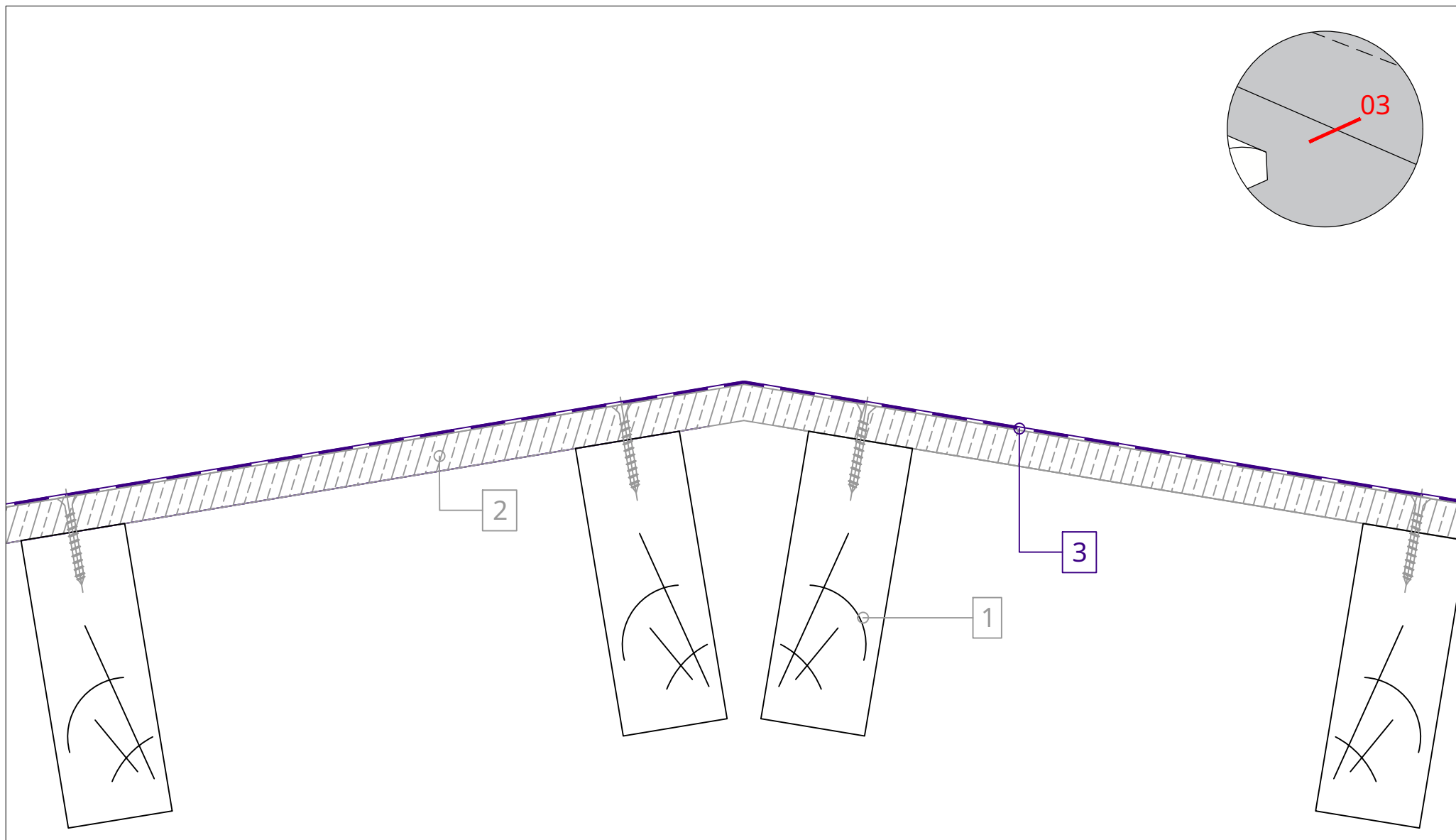
5. PHONOTECH DK acoustic panels (600 x 1200 mm)

6. Waterproofing membrane



- 1. Supporting structure (frame) of the roof
- 2. P5 grooved/tongued chipboard, installation with alternate joints
- 3. Vapor barrier

- 4. PHONOTECH RD starting rule
- 5. PHONOTECH DK acoustic panels (600 x 1200 mm)
- 6. Waterproofing membrane

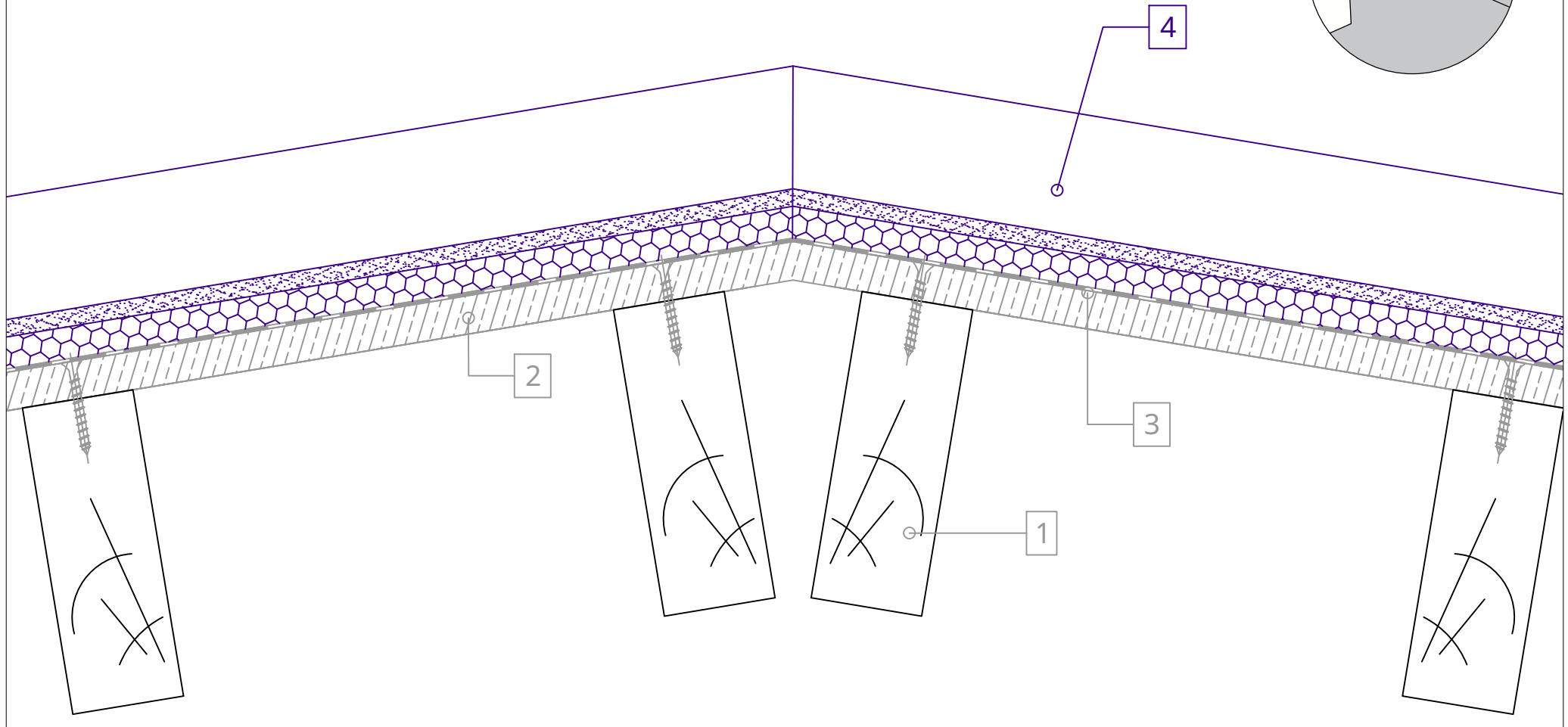
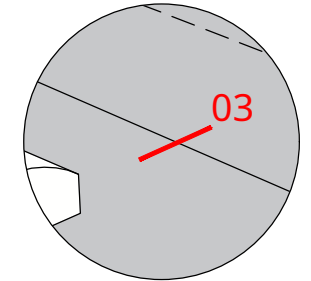


- 1. Supporting structure (frame) of the roof
- 2. P5 grooved/tongued chipboard, installation with alternate joints
- 3. Vapor barrier

- 4. PHONOTECH RD starting rule
- 5. PHONOTECH DK acoustic panels (600 x 1200 mm)
- 6. Waterproofing membrane

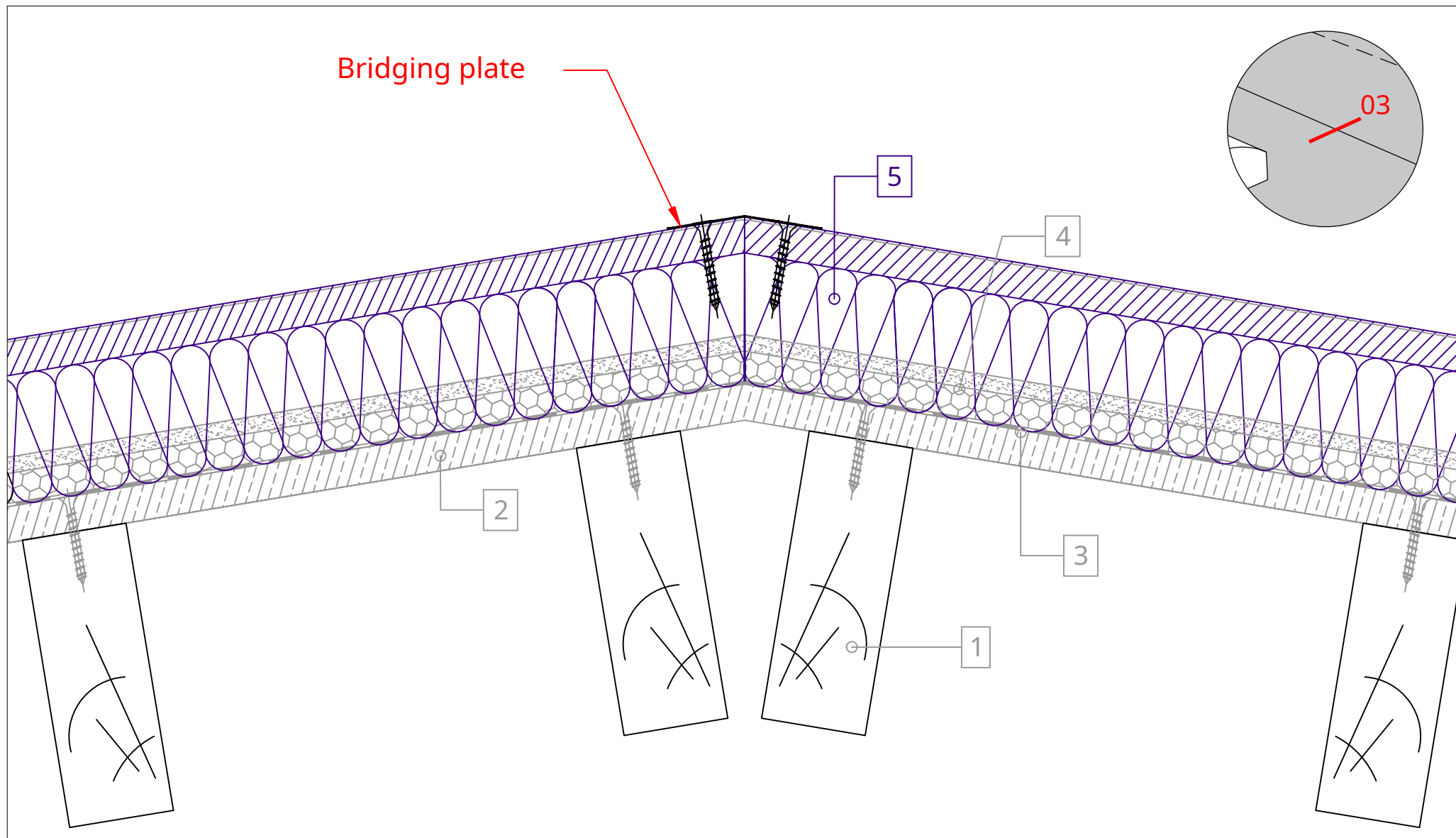


- *Compress the mattress for tightening*
- *The last rule is to cut to size*
- *The rulers are cut at an angle for a perfect junction*



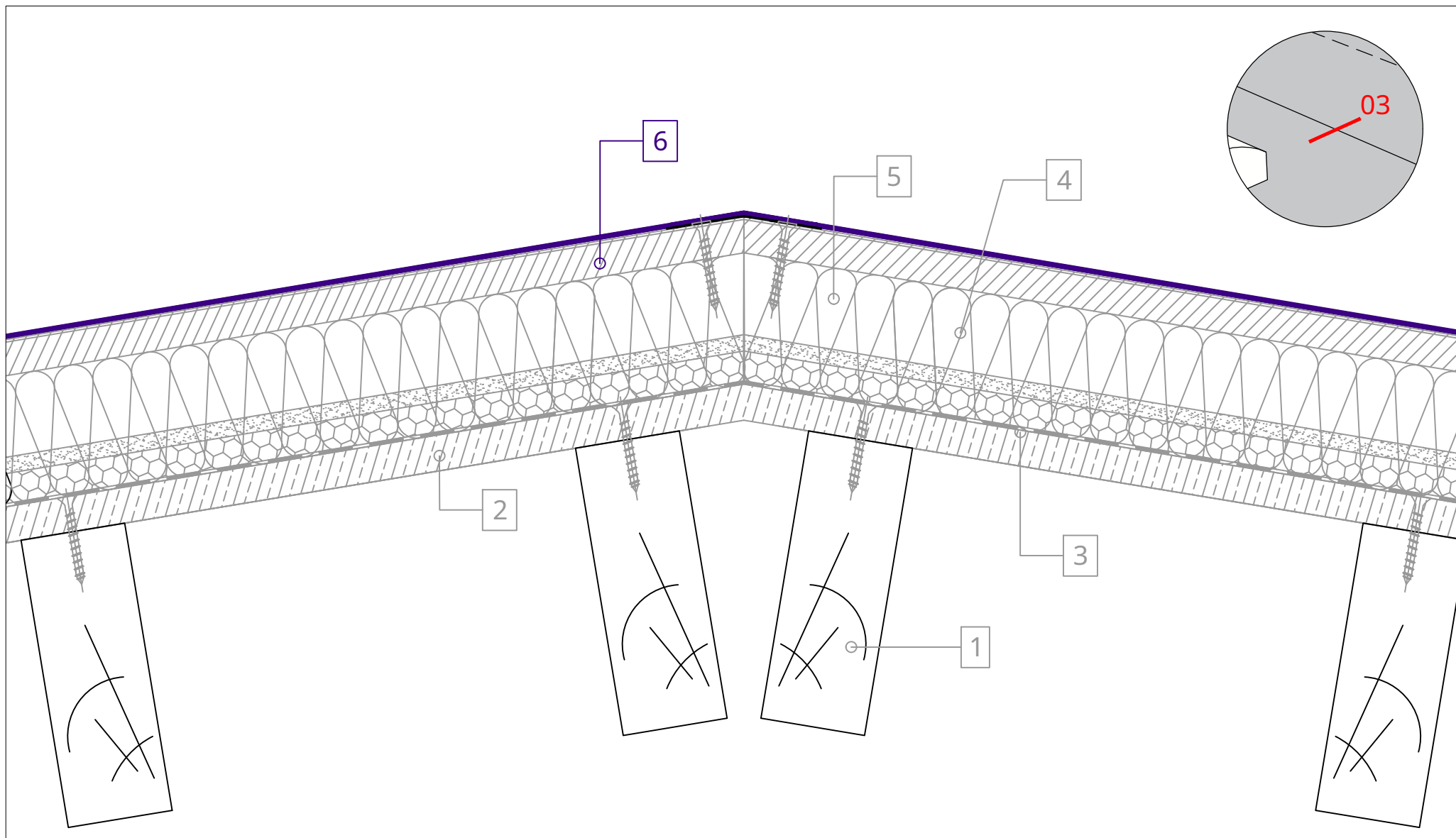
- 1. Supporting structure (frame) of the roof
- 2. P5 grooved/tongued chipboard, installation with alternate joints
- 3. Vapor barrier

- 4. PHONOTECH RD starting rule
- 5. PHONOTECH DK acoustic panels (600 x 1200 mm)
- 6. Waterproofing membrane



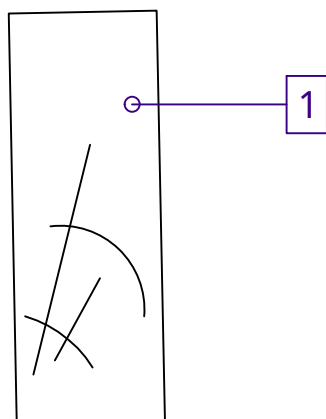
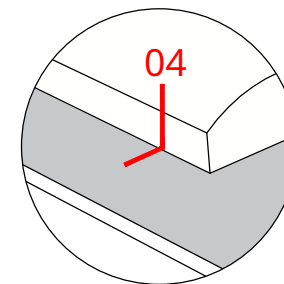
- 1. Supporting structure (frame) of the roof
- 2. P5 grooved/tongued chipboard, installation with alternate joints
- 3. Vapor barrier

- 4. PHONOTECH RD starting rule
- 5. PHONOTECH DK acoustic panels (600 x 1200 mm)
- 6. Waterproofing membrane



- 1. Supporting structure (frame) of the roof
- 2. P5 grooved/tongued chipboard, installation with alternate joints
- 3. Vapor barrier

- 4. PHONOTECH RD starting rule
- 5. PHONOTECH DK acoustic panels (600 x 1200 mm)
- 6. Waterproofing membrane



1. Supporting structure (frame) of the roof

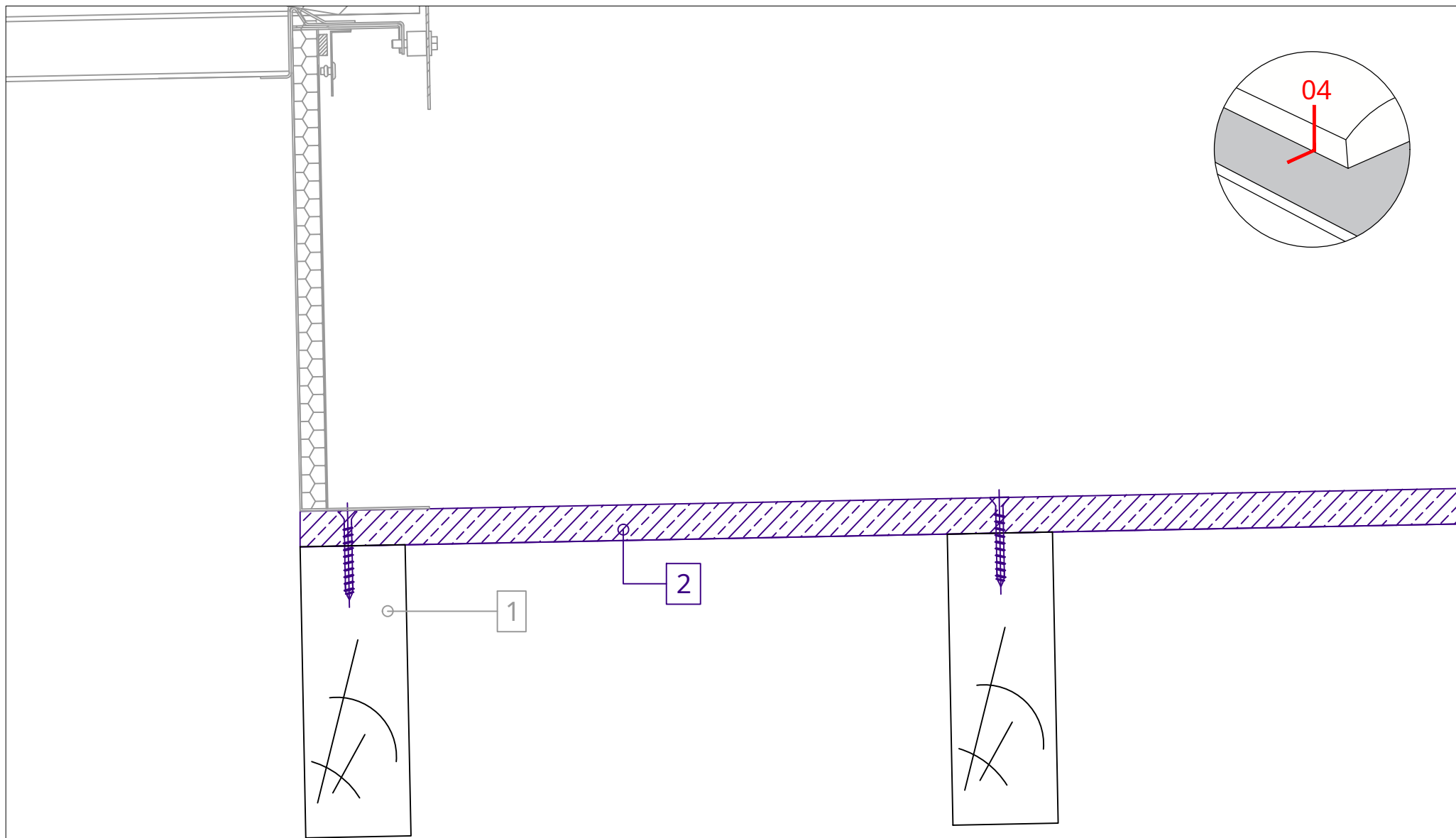
2. P5 grooved/tongued chipboard, installation with alternate joints

3. Vapor barrier

4. PHONOTECH RD starting rule

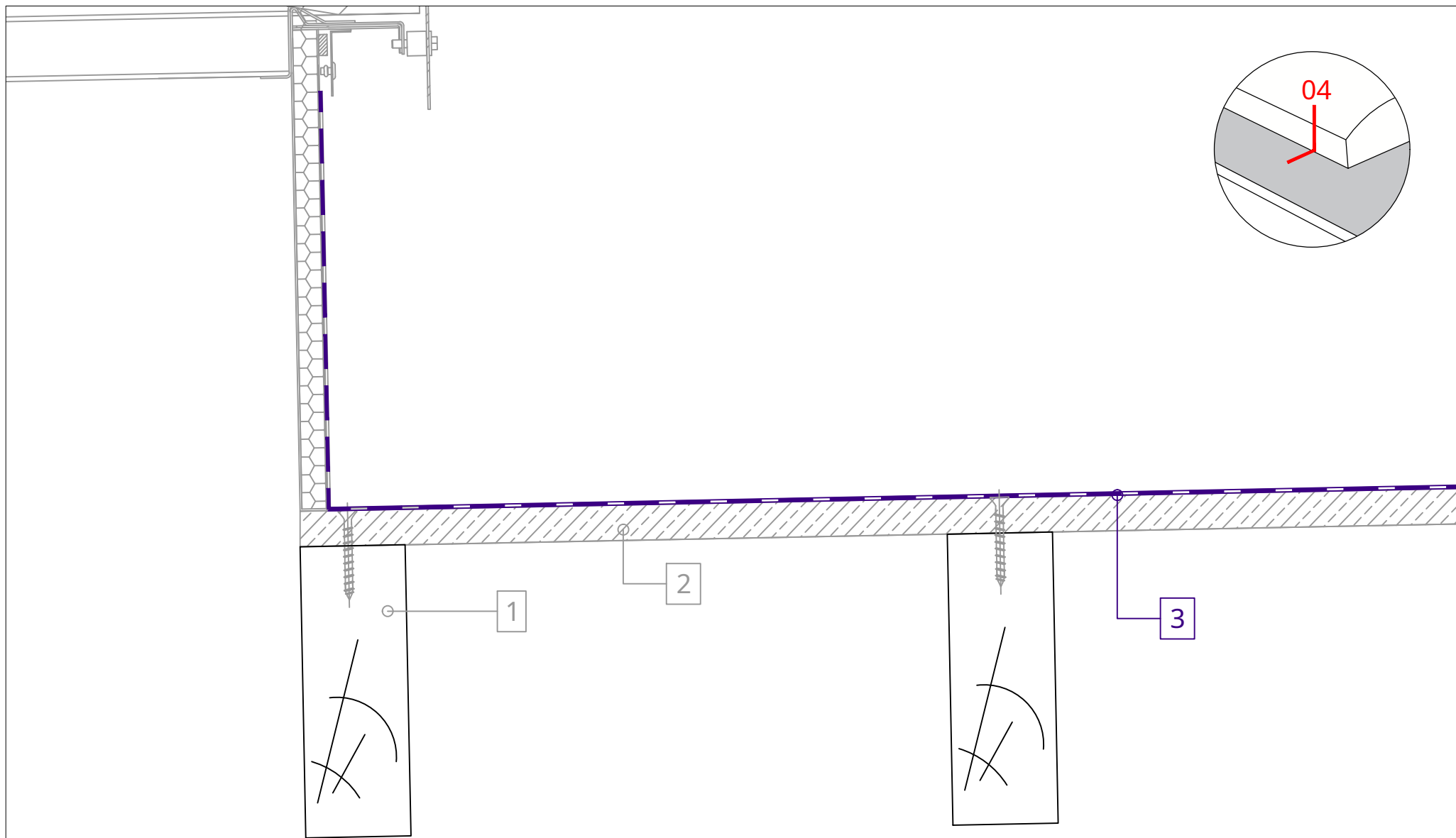
5. PHONOTECH DK acoustic panels (600 x 1200 mm)

6. Waterproofing membrane



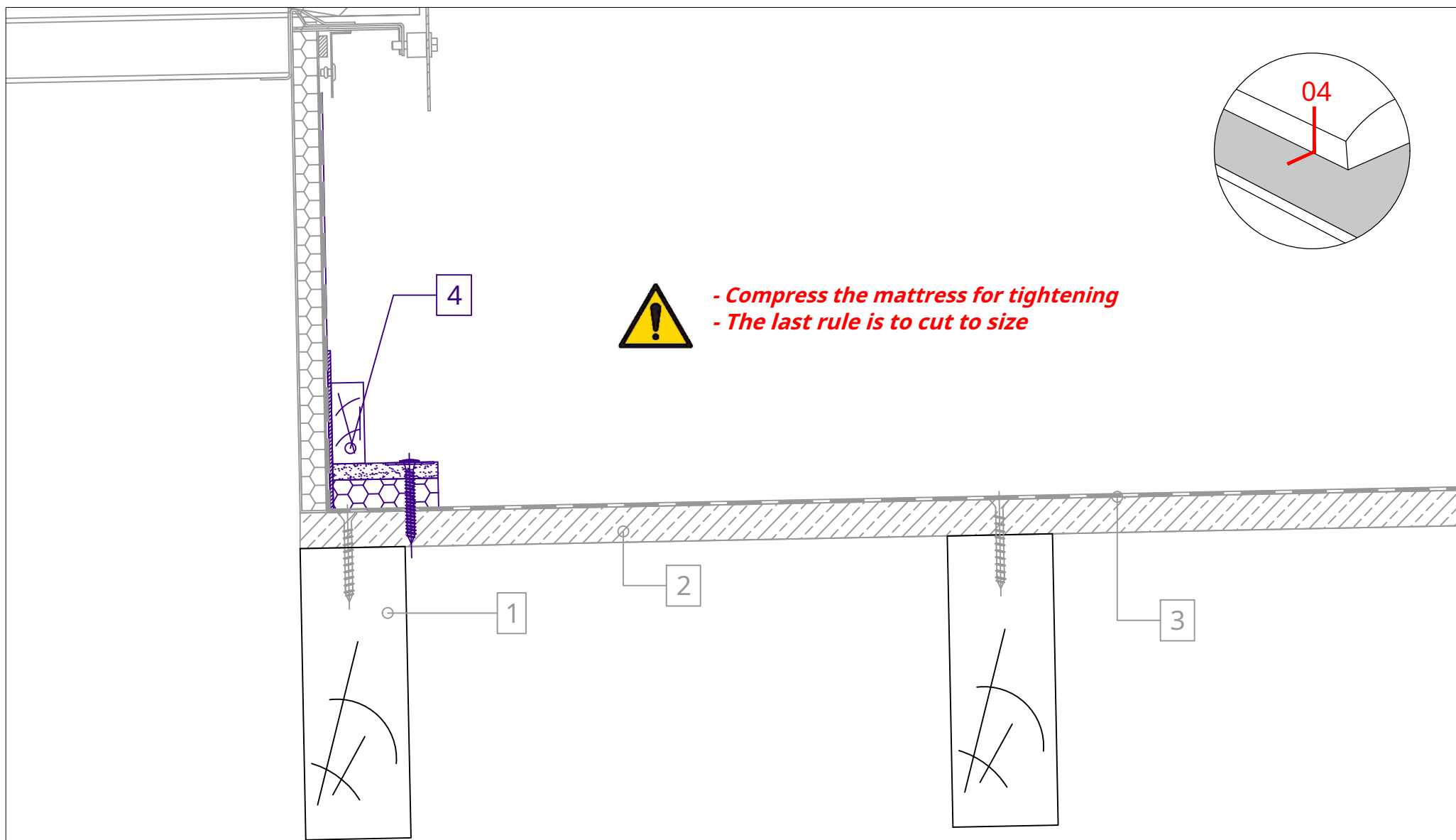
- 1. Supporting structure (frame) of the roof
- 2. P5 grooved/tongued chipboard, installation with alternate joints
- 3. Vapor barrier

- 4. PHONOTECH RD starting rule
- 5. PHONOTECH DK acoustic panels (600 x 1200 mm)
- 6. Waterproofing membrane



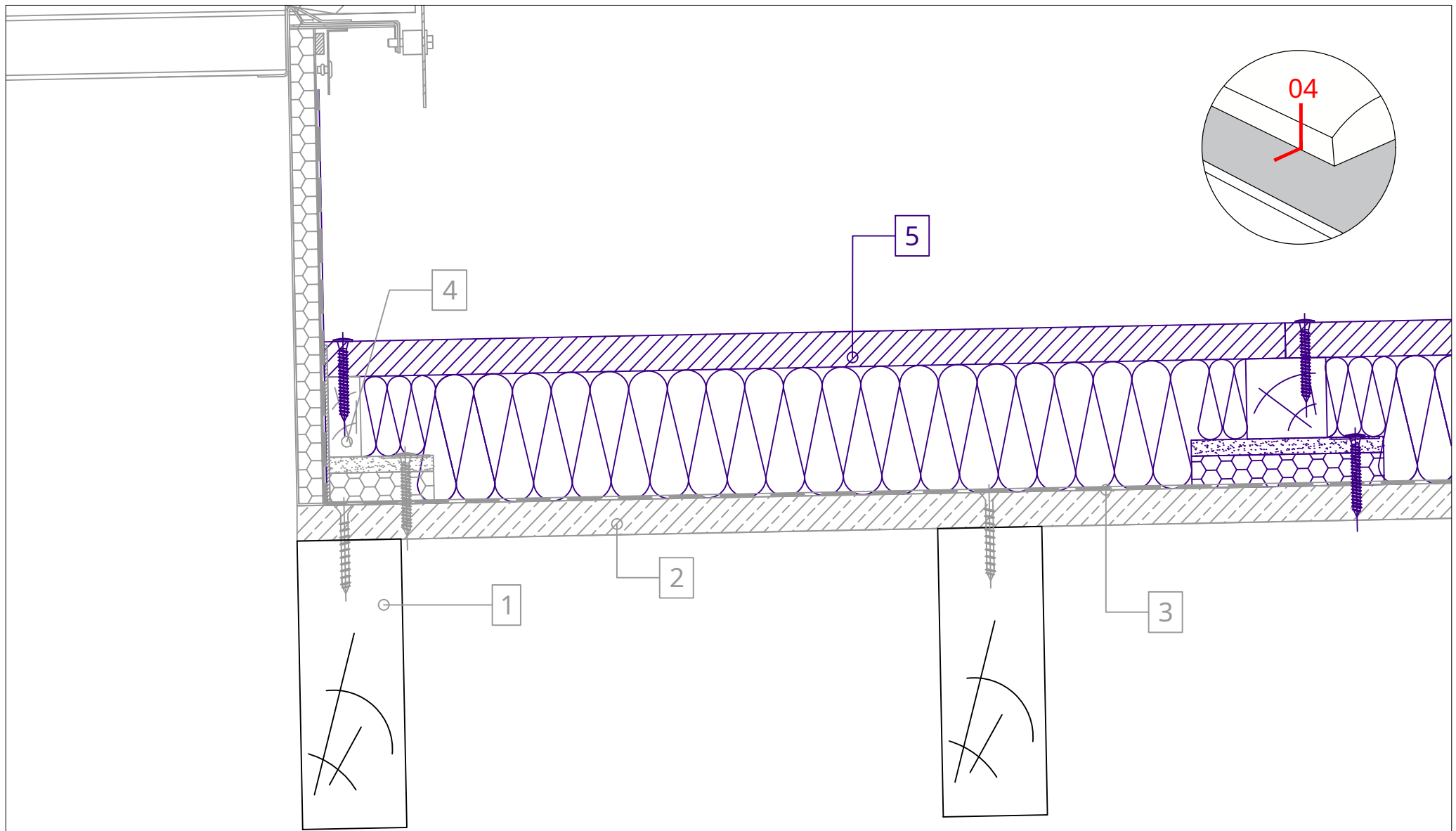
- 1. Supporting structure (frame) of the roof
- 2. P5 grooved/tongued chipboard, installation with alternate joints
- 3. Vapor barrier

- 4. PHONOTECH RD starting rule
- 5. PHONOTECH DK acoustic panels (600 x 1200 mm)
- 6. Waterproofing membrane



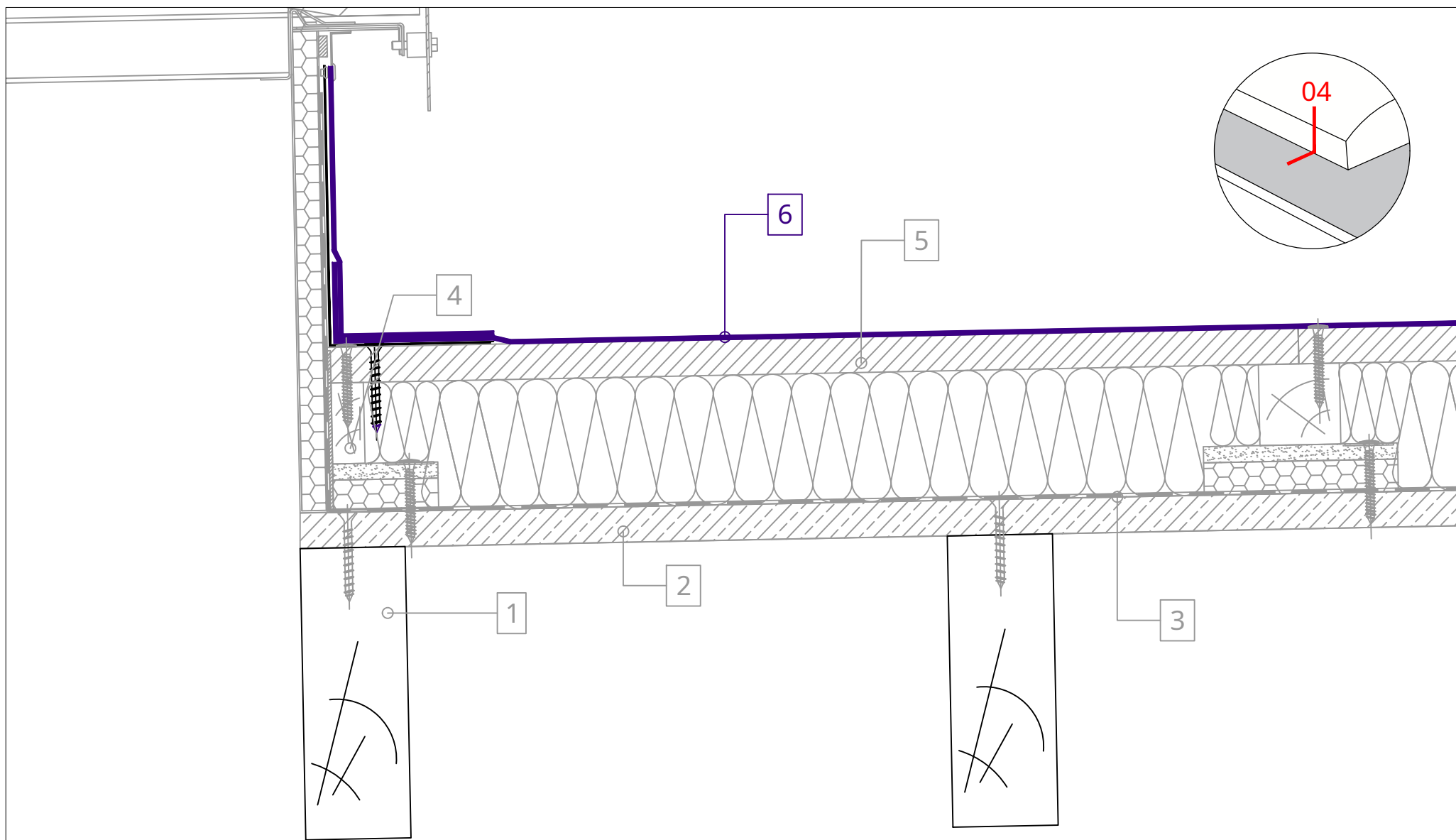
- 1. Supporting structure (frame) of the roof
- 2. P5 grooved/tongued chipboard, installation with alternate joints
- 3. Vapor barrier

- 4. PHONOTECH RD starting rule
- 5. PHONOTECH DK acoustic panels (600 x 1200 mm)
- 6. Waterproofing membrane



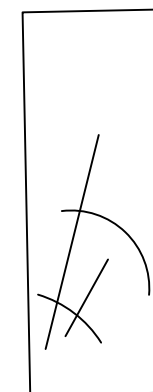
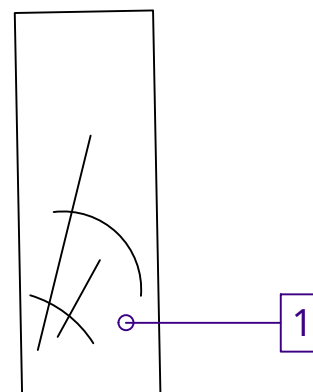
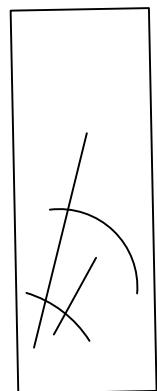
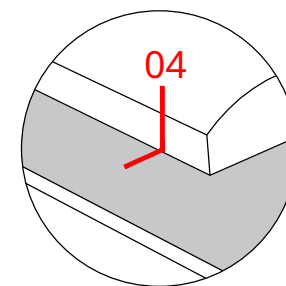
- 1. Supporting structure (frame) of the roof
- 2. P5 grooved/tongued chipboard, installation with alternate joints
- 3. Vapor barrier

- 4. PHONOTECH RD starting rule
- 5. PHONOTECH DK acoustic panels (600 x 1200 mm)
- 6. Waterproofing membrane



- 1. Supporting structure (frame) of the roof
- 2. P5 grooved/tongued chipboard, installation with alternate joints
- 3. Vapor barrier

- 4. PHONOTECH RD starting rule
- 5. PHONOTECH DK acoustic panels (600 x 1200 mm)
- 6. Waterproofing membrane



1. Supporting structure (frame) of the roof

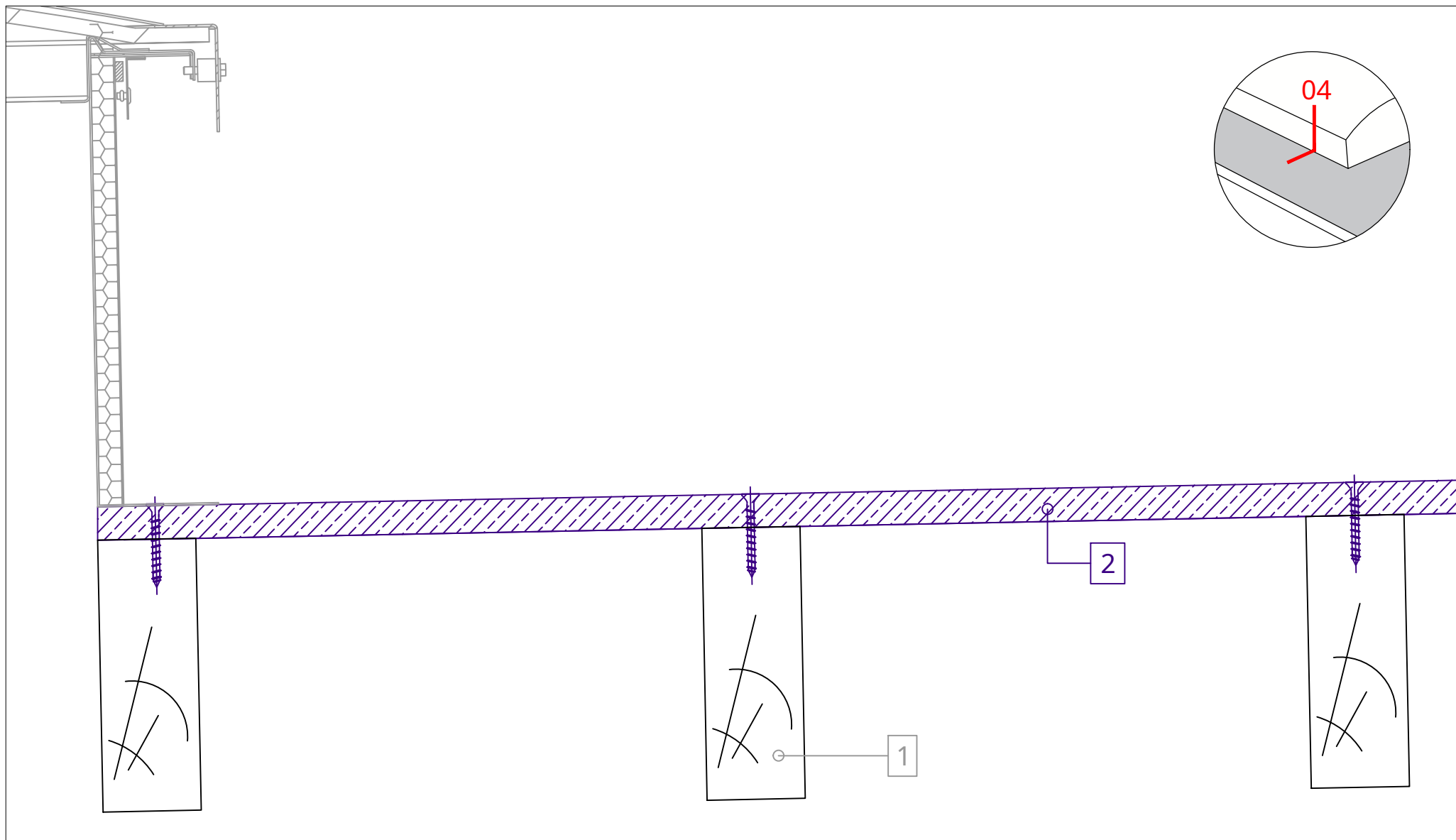
2. P5 grooved/tongued chipboard, installation with alternate joints

3. Vapor barrier

4. PHONOTECH RD starting rule

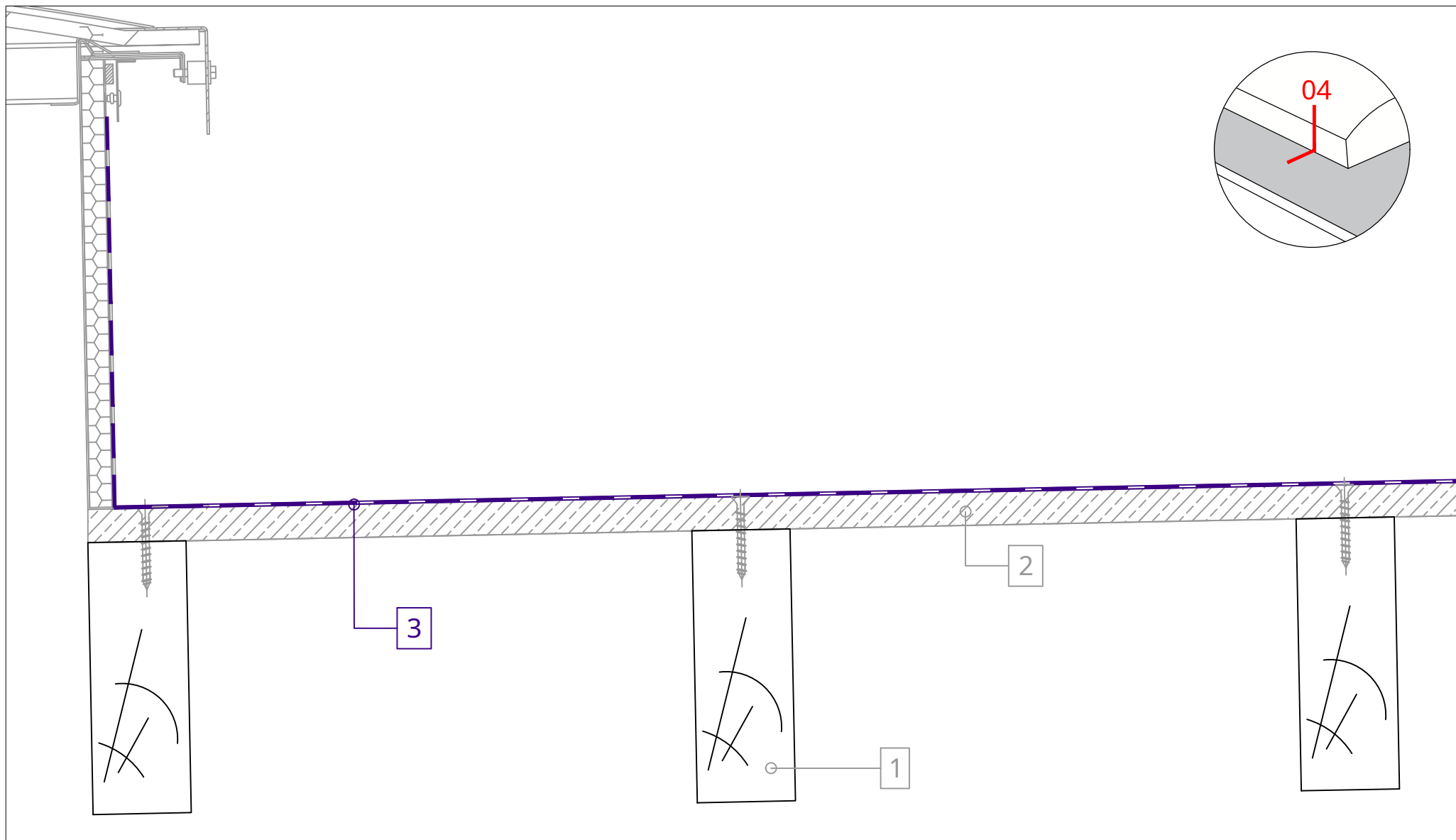
5. PHONOTECH DK acoustic panels (600 x 1200 mm)

6. Waterproofing membrane



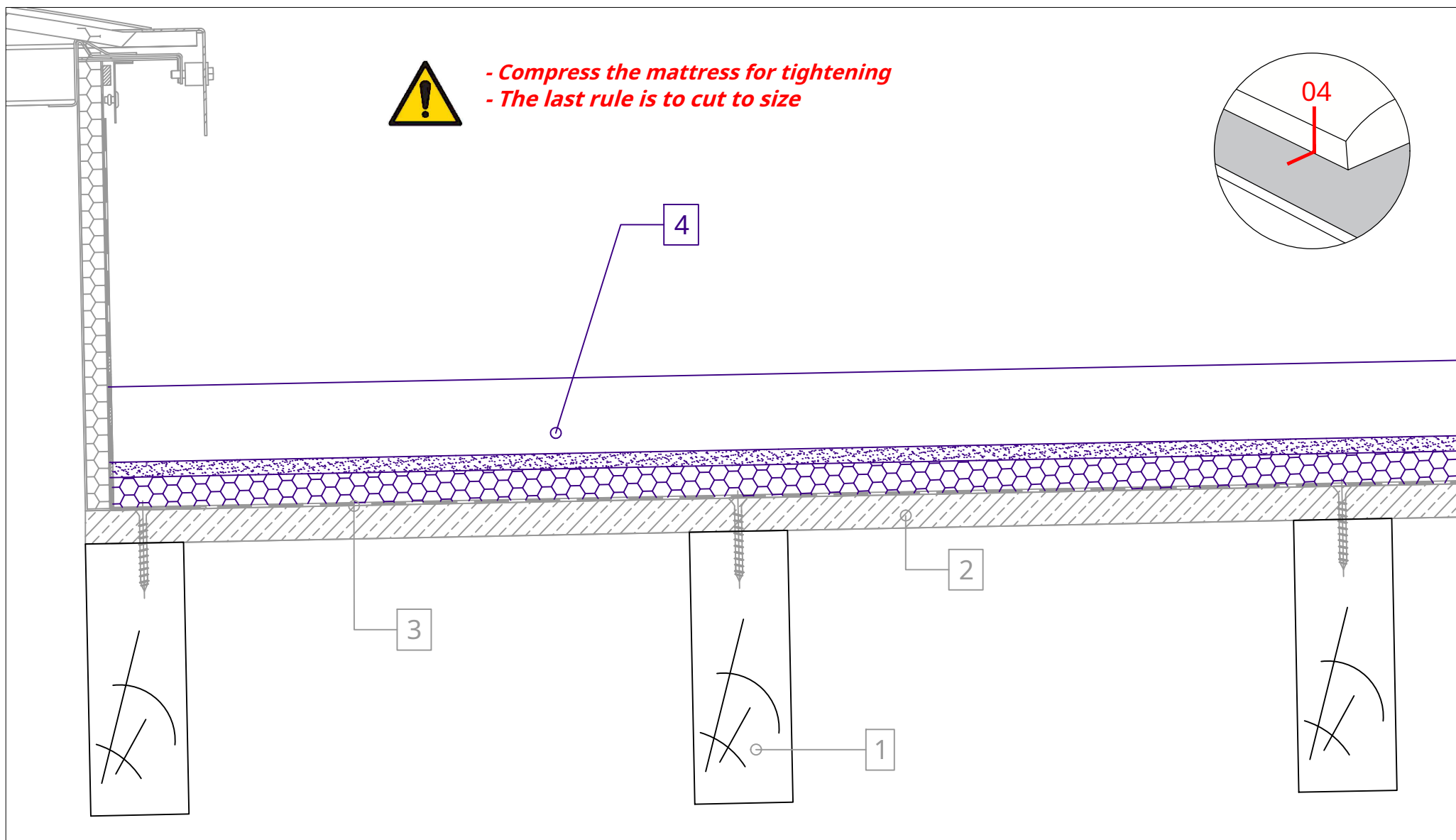
- 1. Supporting structure (frame) of the roof
- 2. P5 grooved/tongued chipboard, installation with alternate joints
- 3. Vapor barrier

- 4. PHONOTECH RD starting rule
- 5. PHONOTECH DK acoustic panels (600 x 1200 mm)
- 6. Waterproofing membrane



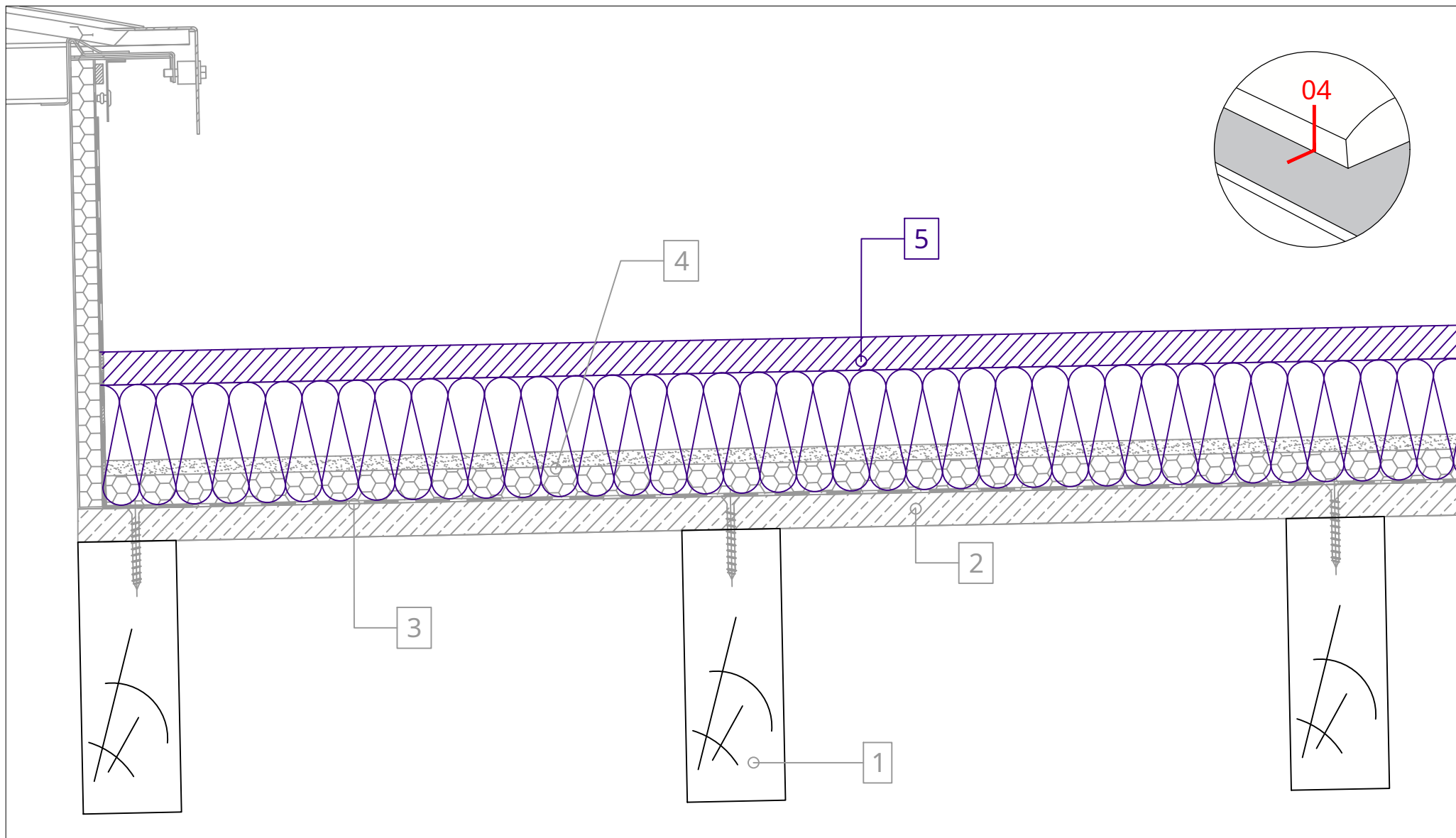
- 1. Supporting structure (frame) of the roof
- 2. P5 grooved/tongued chipboard, installation with alternate joints
- 3. Vapor barrier

- 4. PHONOTECH RD starting rule
- 5. PHONOTECH DK acoustic panels (600 x 1200 mm)
- 6. Waterproofing membrane



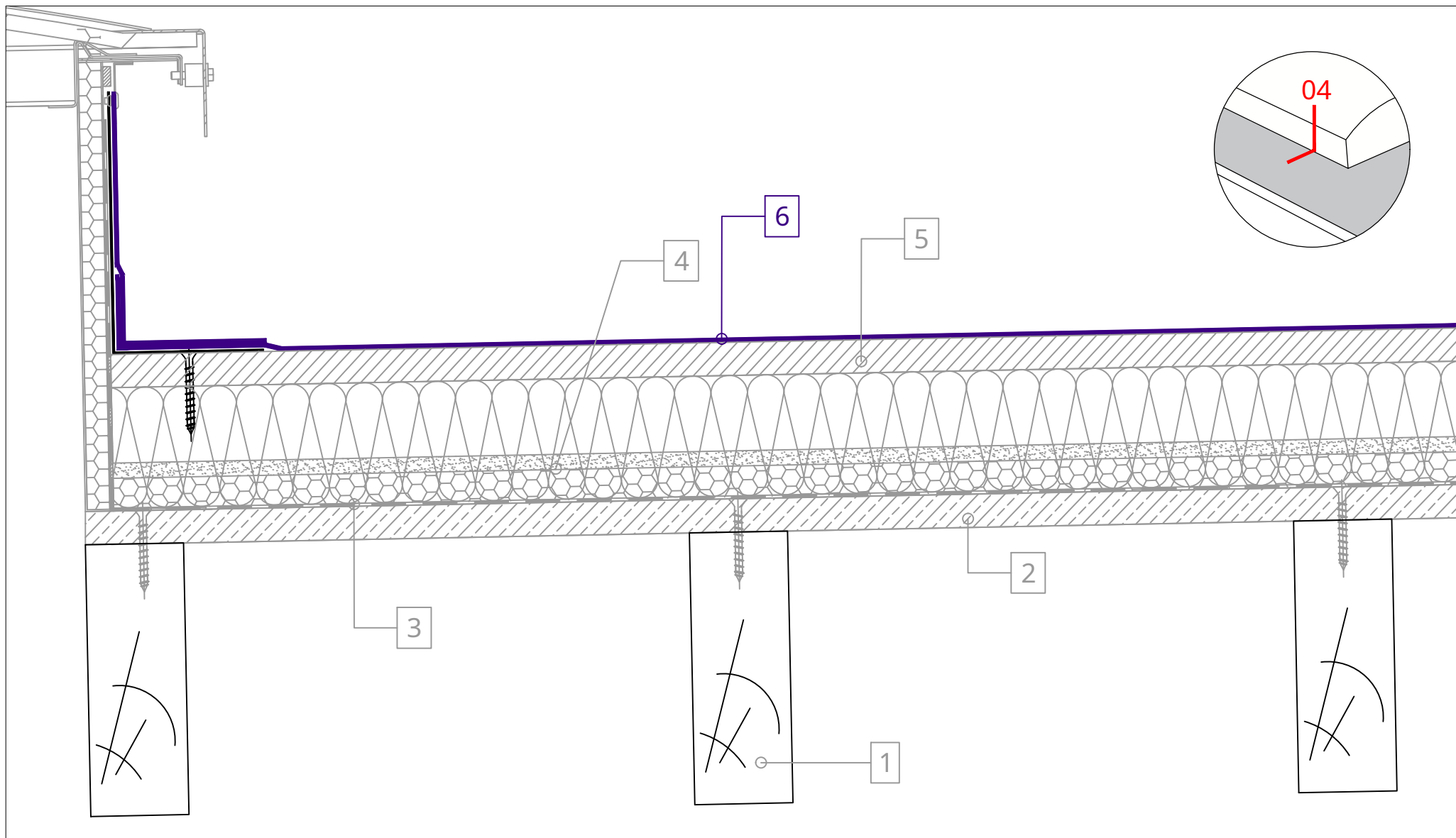
- 1. Supporting structure (frame) of the roof
- 2. P5 grooved/tongued chipboard, installation with alternate joints
- 3. Vapor barrier

- 4. PHONOTECH RD starting rule
- 5. PHONOTECH DK acoustic panels (600 x 1200 mm)
- 6. Waterproofing membrane



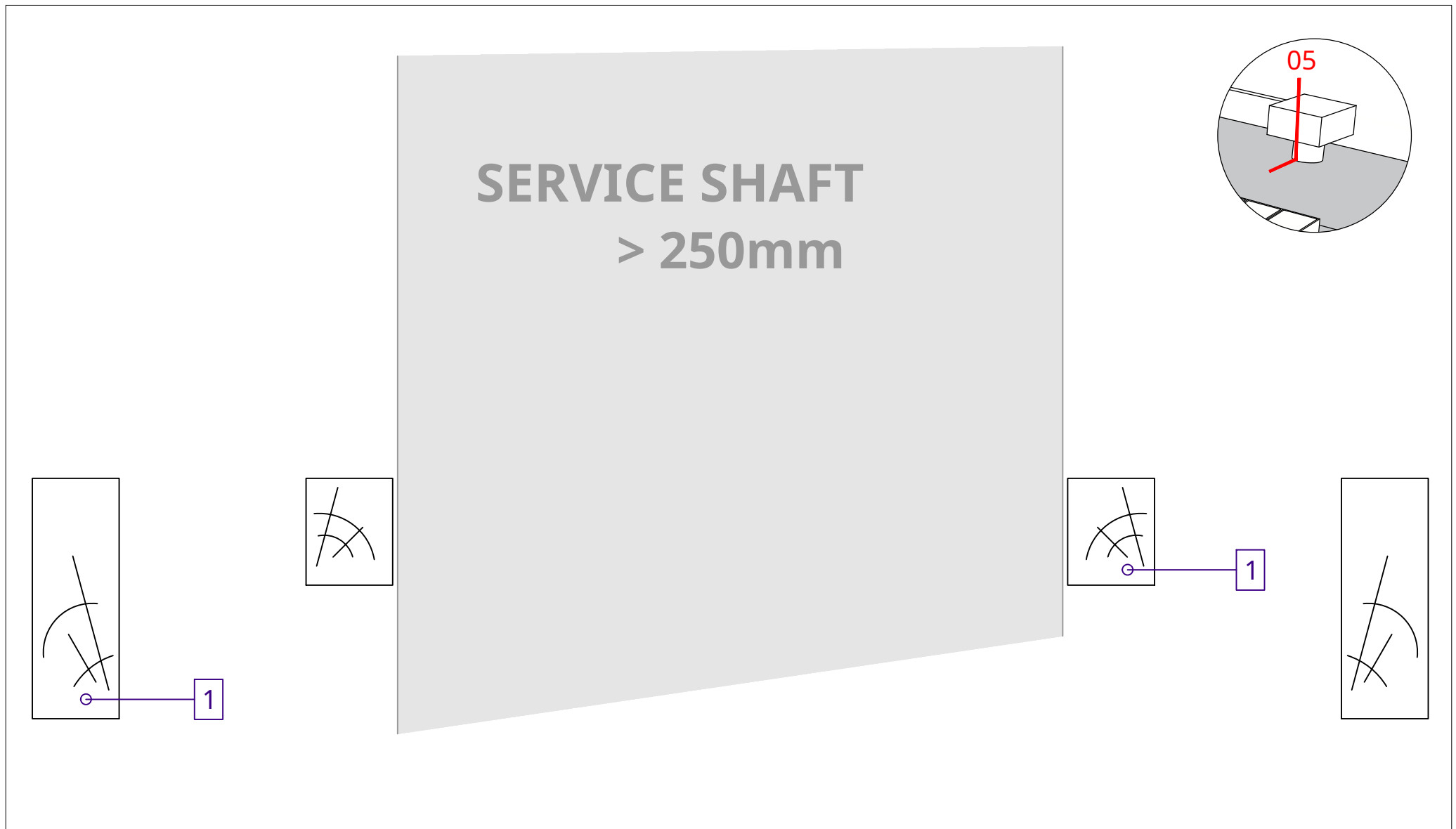
- 1. Supporting structure (frame) of the roof
- 2. P5 grooved/tongued chipboard, installation with alternate joints
- 3. Vapor barrier

- 4. PHONOTECH RD starting rule
- 5. PHONOTECH DK acoustic panels (600 x 1200 mm)
- 6. Waterproofing membrane



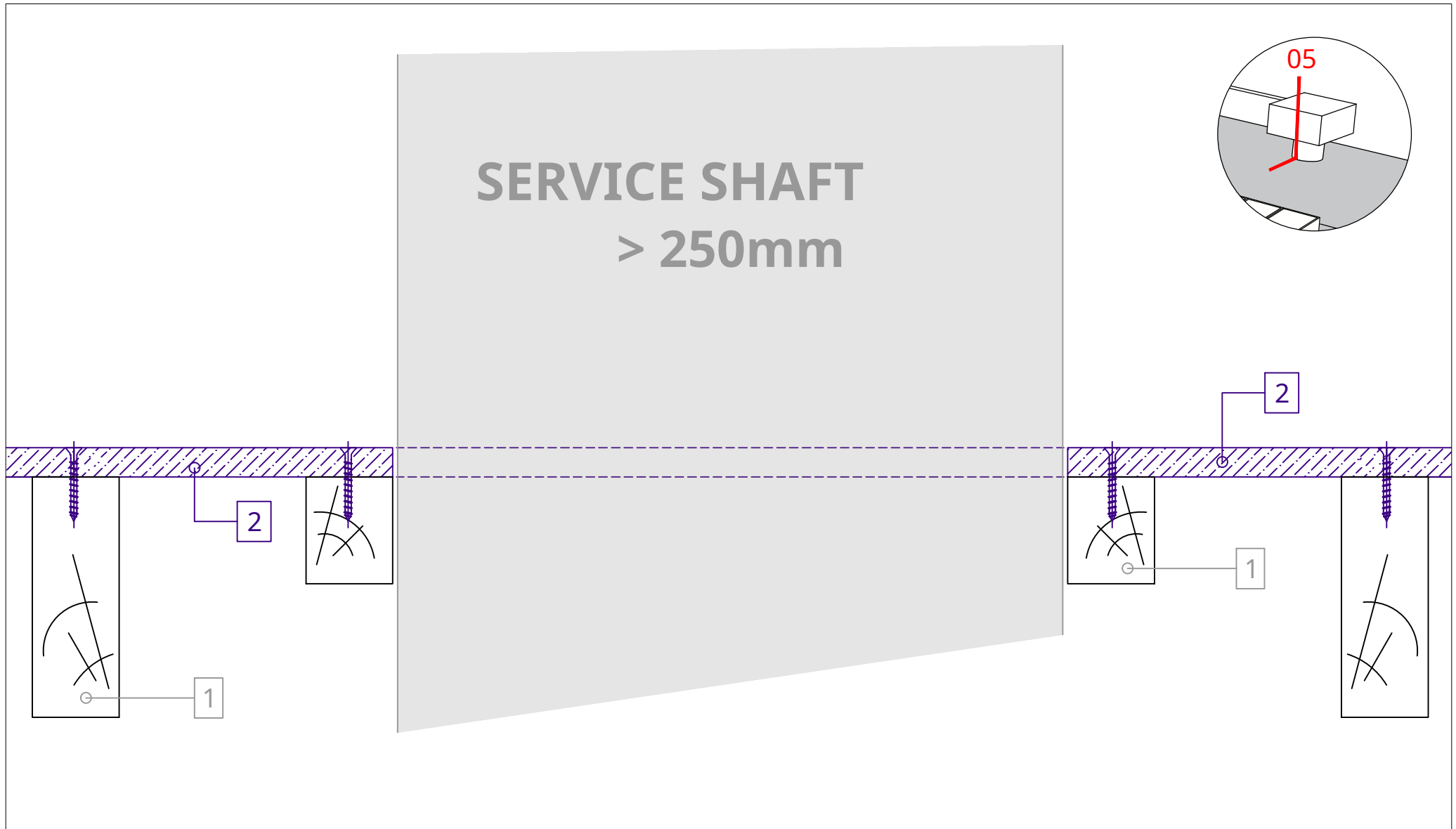
- 1. Supporting structure (frame) of the roof
- 2. P5 grooved/tongued chipboard, installation with alternate joints
- 3. Vapor barrier

- 4. PHONOTECH RD starting rule
- 5. PHONOTECH DK acoustic panels (600 x 1200 mm)
- 6. Waterproofing membrane



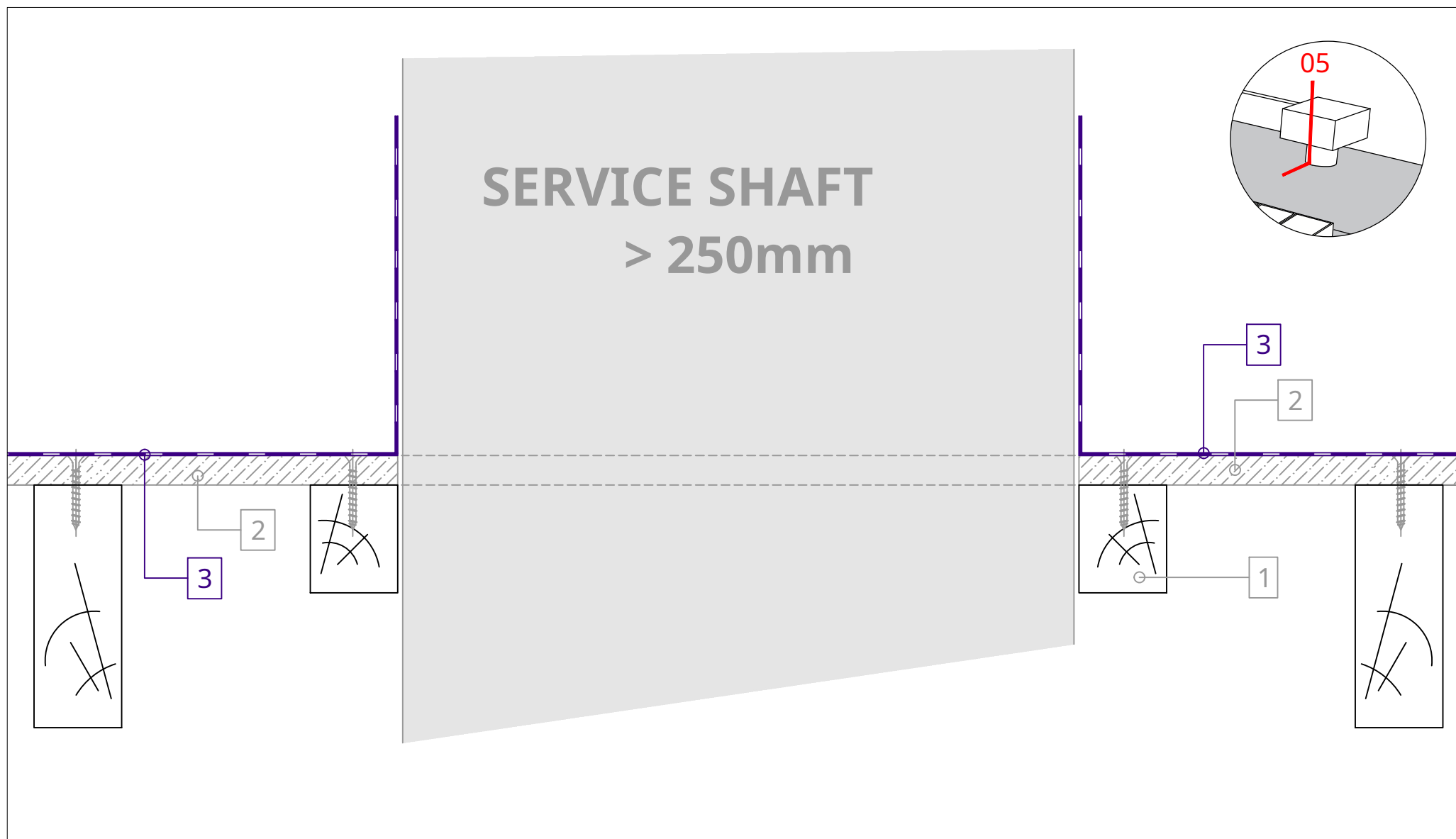
1. Supporting structure (frame) of the roof
2. P5 grooved/tongued chipboard, installation with alternate joints
3. Vapor barrier

4. PHONOTECH RD starting rule
5. PHONOTECH DK acoustic panels (600 x 1200 mm)
6. Waterproofing membrane



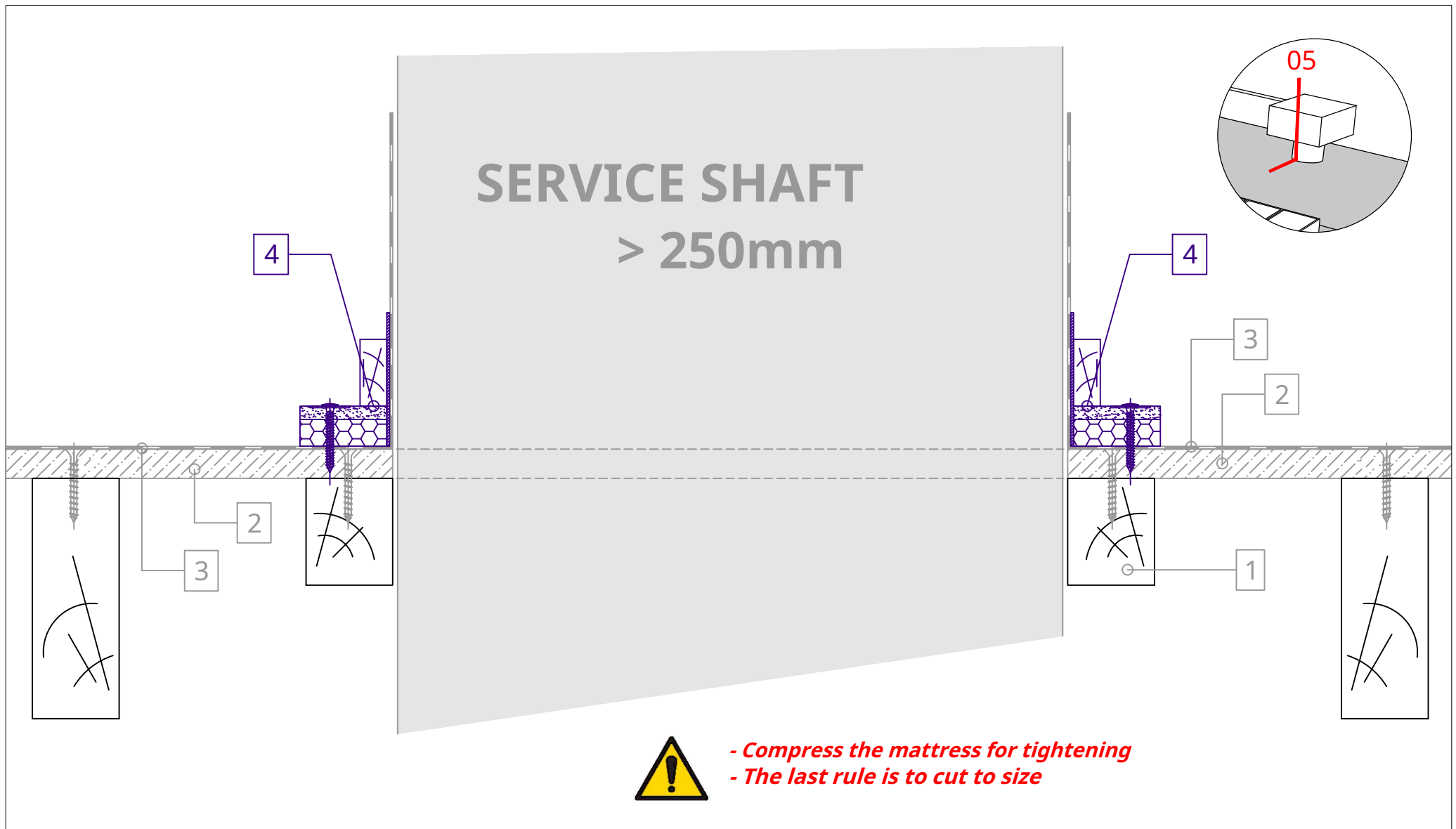
1. Supporting structure (frame) of the roof
2. P5 grooved/tongued chipboard, installation with alternate joints
3. Vapor barrier

4. PHONOTECH RD starting rule
5. PHONOTECH DK acoustic panels (600 x 1200 mm)
6. Waterproofing membrane



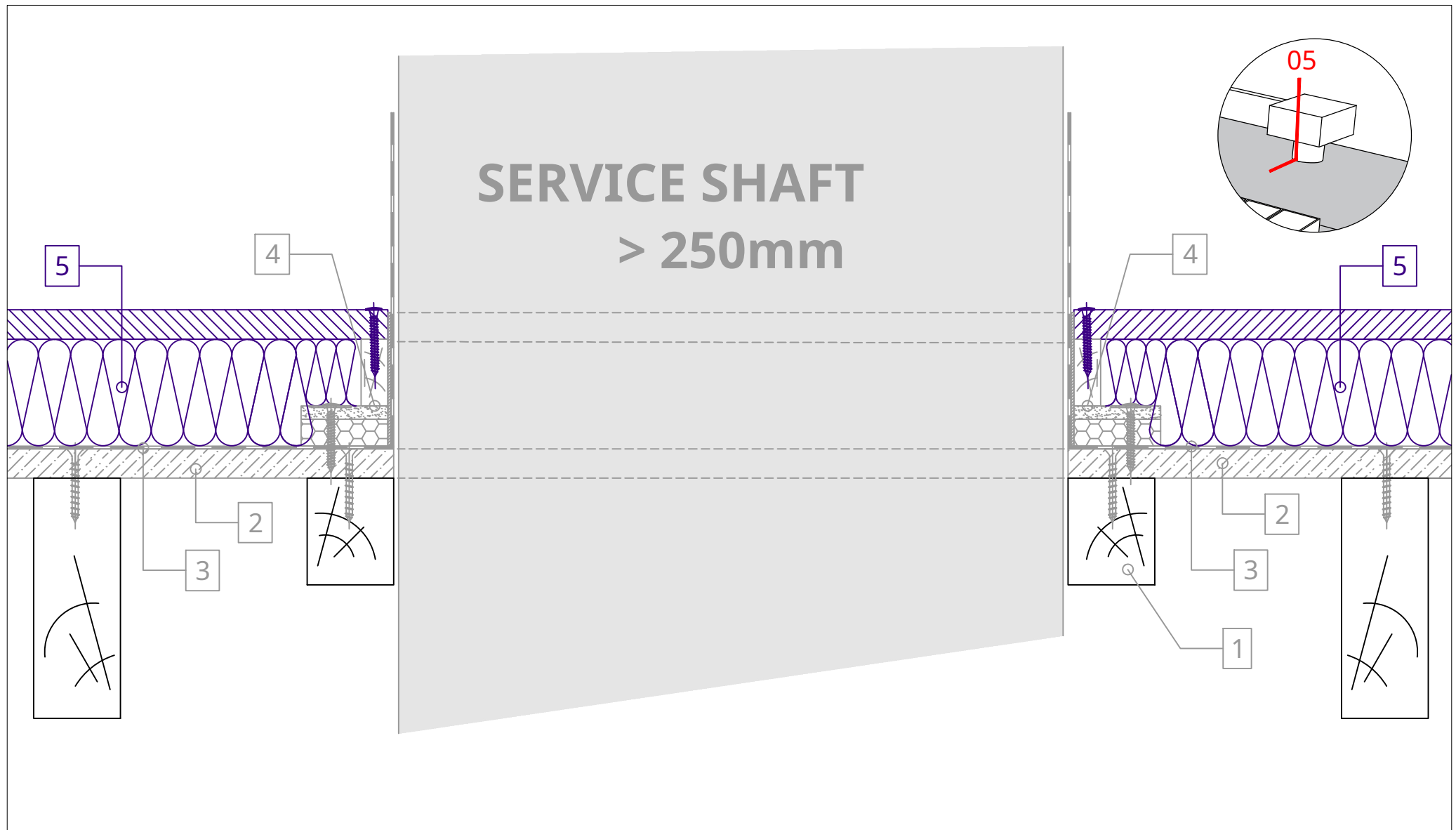
- 1. Supporting structure (frame) of the roof
- 2. P5 grooved/tongued chipboard, installation with alternate joints
- 3. Vapor barrier

- 4. PHONOTECH RD starting rule
- 5. PHONOTECH DK acoustic panels (600 x 1200 mm)
- 6. Waterproofing membrane



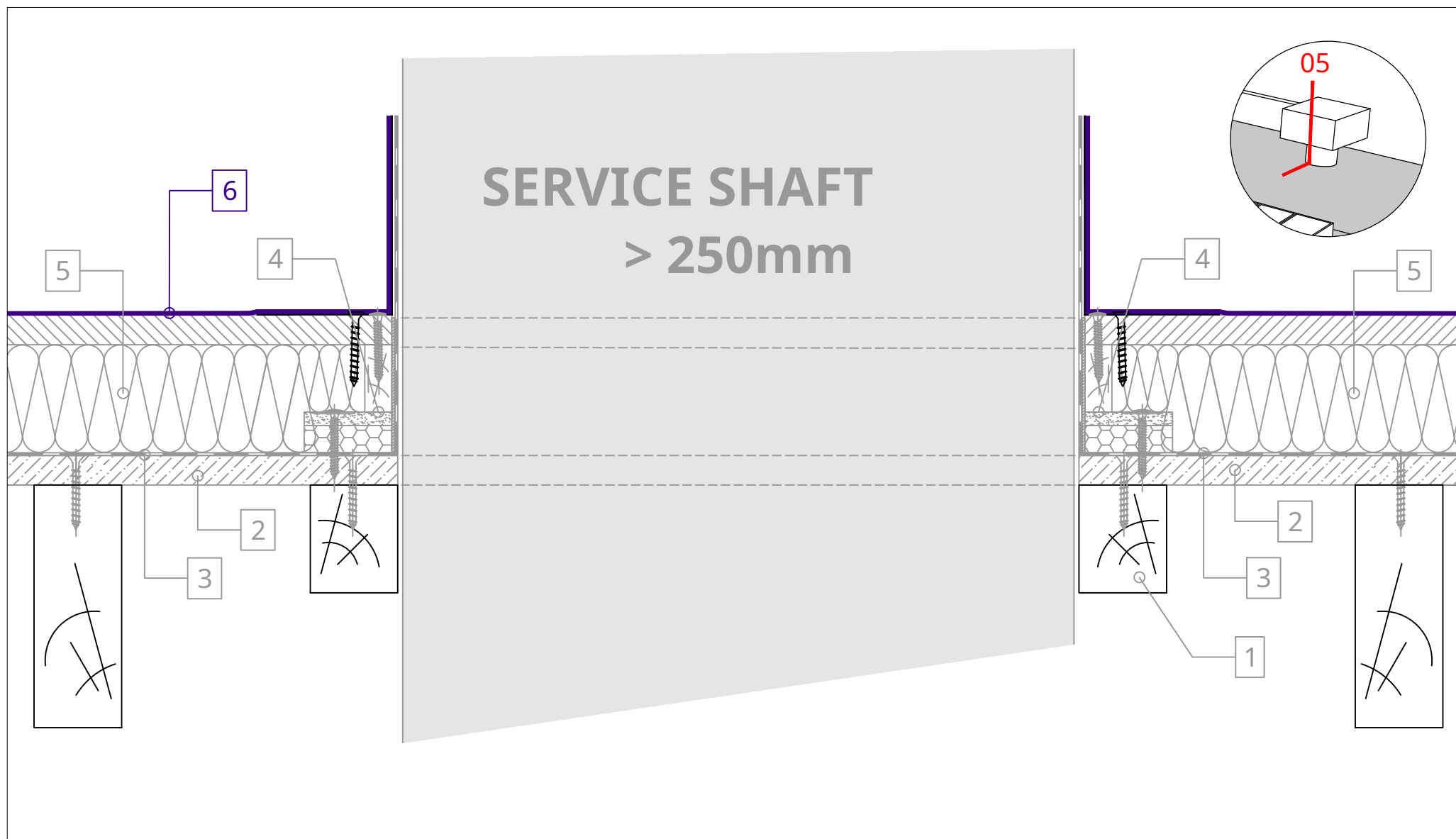
1. Supporting structure (frame) of the roof
2. P5 grooved/tongued chipboard, installation with alternate joints
3. Vapor barrier

4. PHONOTECH RD starting rule
5. PHONOTECH DK acoustic panels (600 x 1200 mm)
6. Waterproofing membrane



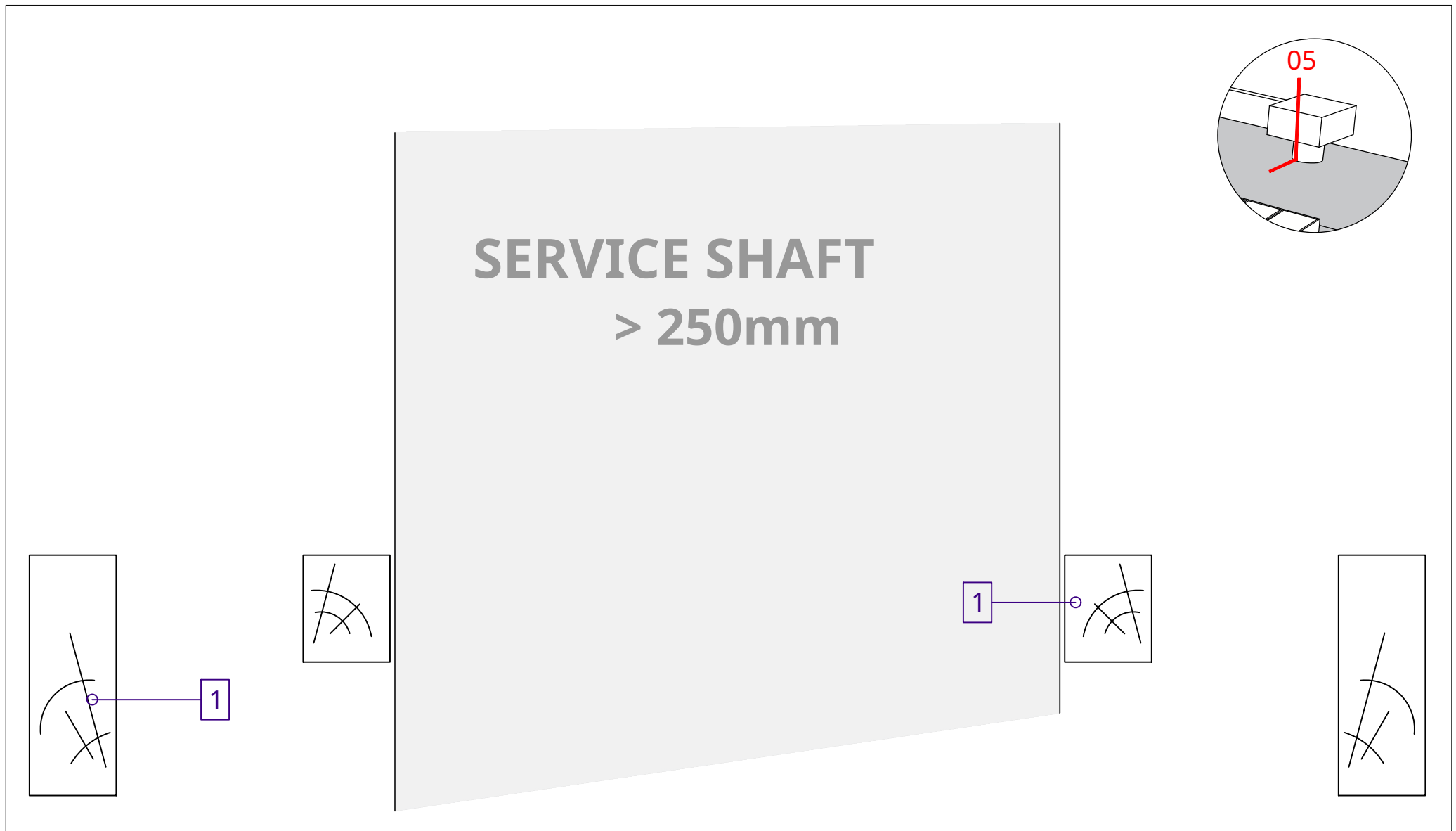
- 1. Supporting structure (frame) of the roof
- 2. P5 grooved/tongued chipboard, installation with alternate joints
- 3. Vapor barrier

- 4. PHONOTECH RD starting rule
- 5. PHONOTECH DK acoustic panels (600 x 1200 mm)
- 6. Waterproofing membrane



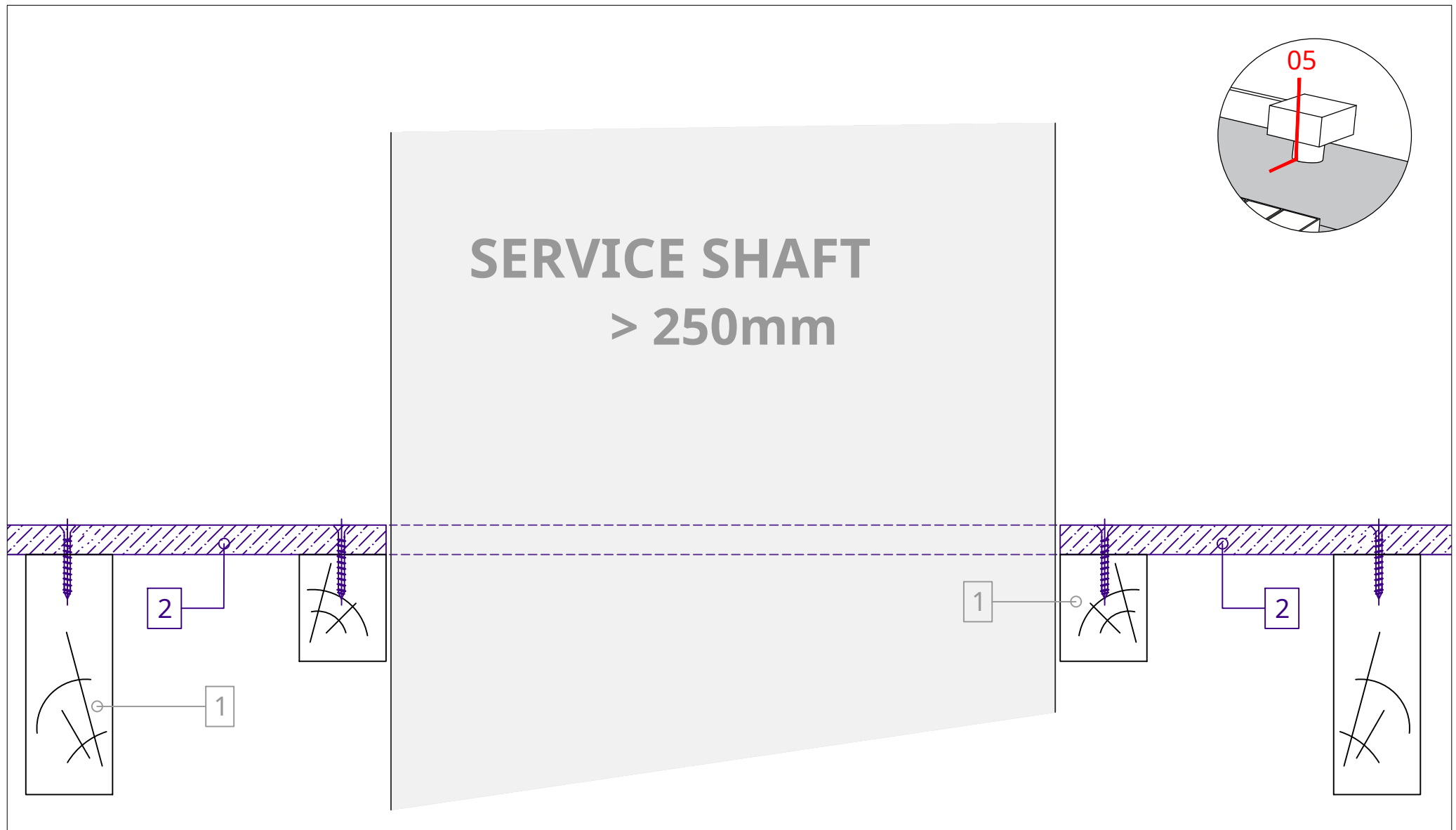
- 1. Supporting structure (frame) of the roof
- 2. P5 grooved/tongued chipboard, installation with alternate joints
- 3. Vapor barrier

- 4. PHONOTECH RD starting rule
- 5. PHONOTECH DK acoustic panels (600 x 1200 mm)
- 6. Waterproofing membrane



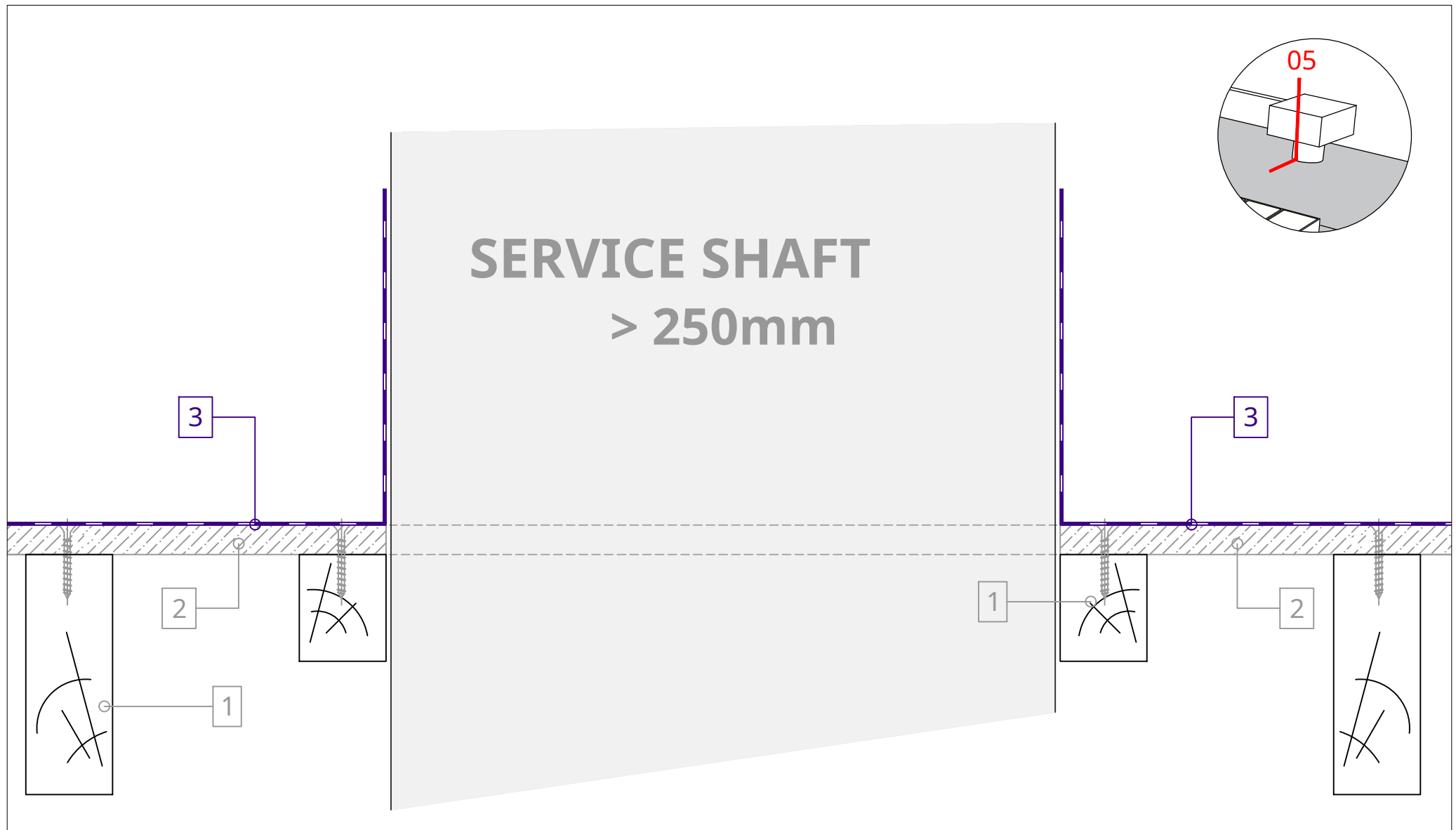
- 1. Supporting structure (frame) of the roof
- 2. P5 grooved/tongued chipboard, installation with alternate joints
- 3. Vapor barrier

- 4. PHONOTECH RD starting rule
- 5. PHONOTECH DK acoustic panels (600 x 1200 mm)
- 6. Waterproofing membrane



- 1. Supporting structure (frame) of the roof
- 2. P5 grooved/tongued chipboard, installation with alternate joints
- 3. Vapor barrier

- 4. PHONOTECH RD starting rule
- 5. PHONOTECH DK acoustic panels (600 x 1200 mm)
- 6. Waterproofing membrane

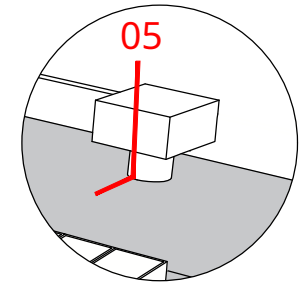


- 1. Supporting structure (frame) of the roof
- 2. P5 grooved/tongued chipboard, installation with alternate joints
- 3. Vapor barrier

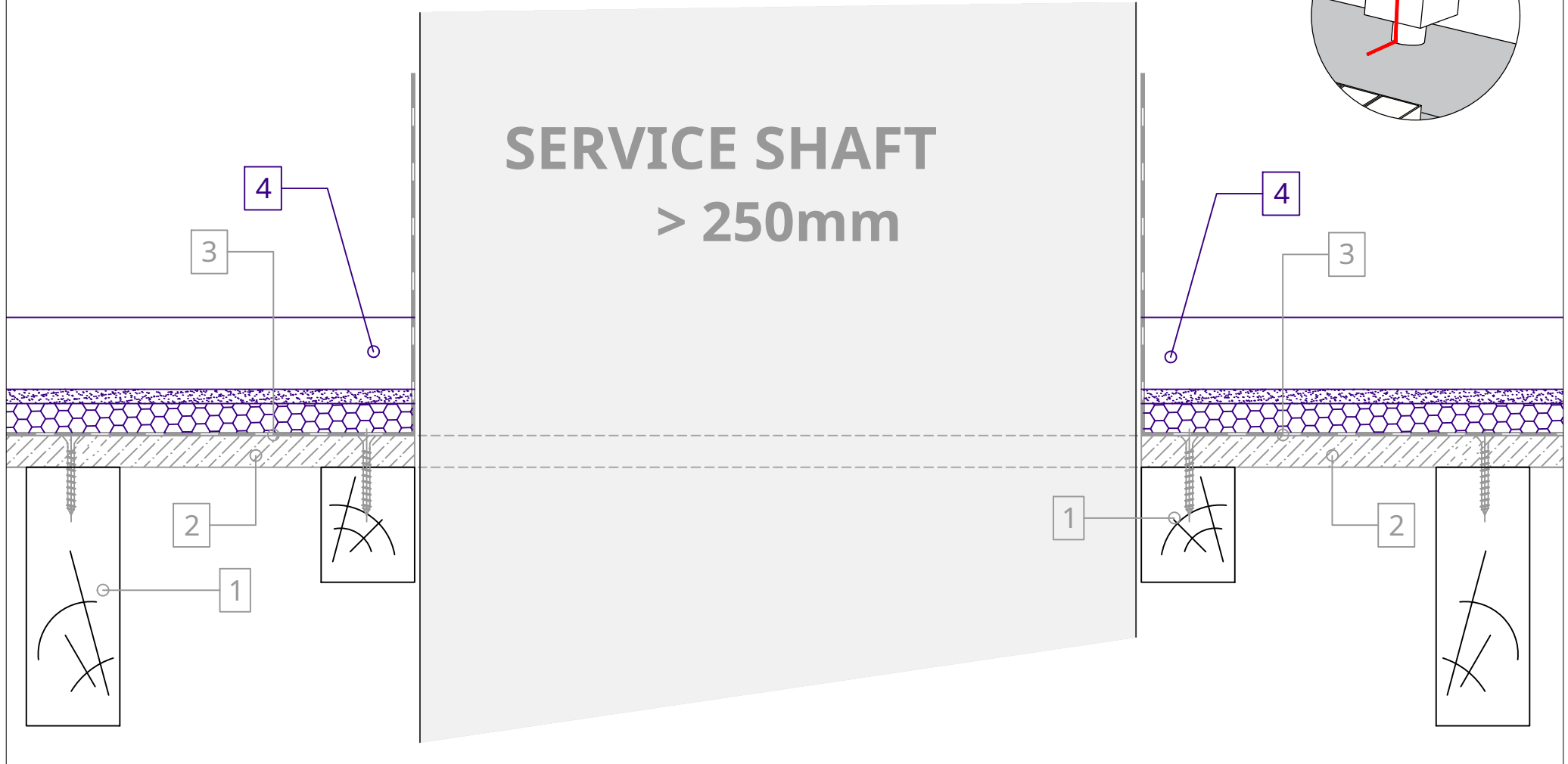
- 4. PHONOTECH RD starting rule
- 5. PHONOTECH DK acoustic panels (600 x 1200 mm)
- 6. Waterproofing membrane



- Compress the mattress for tightening
- The last rule is to cut to size

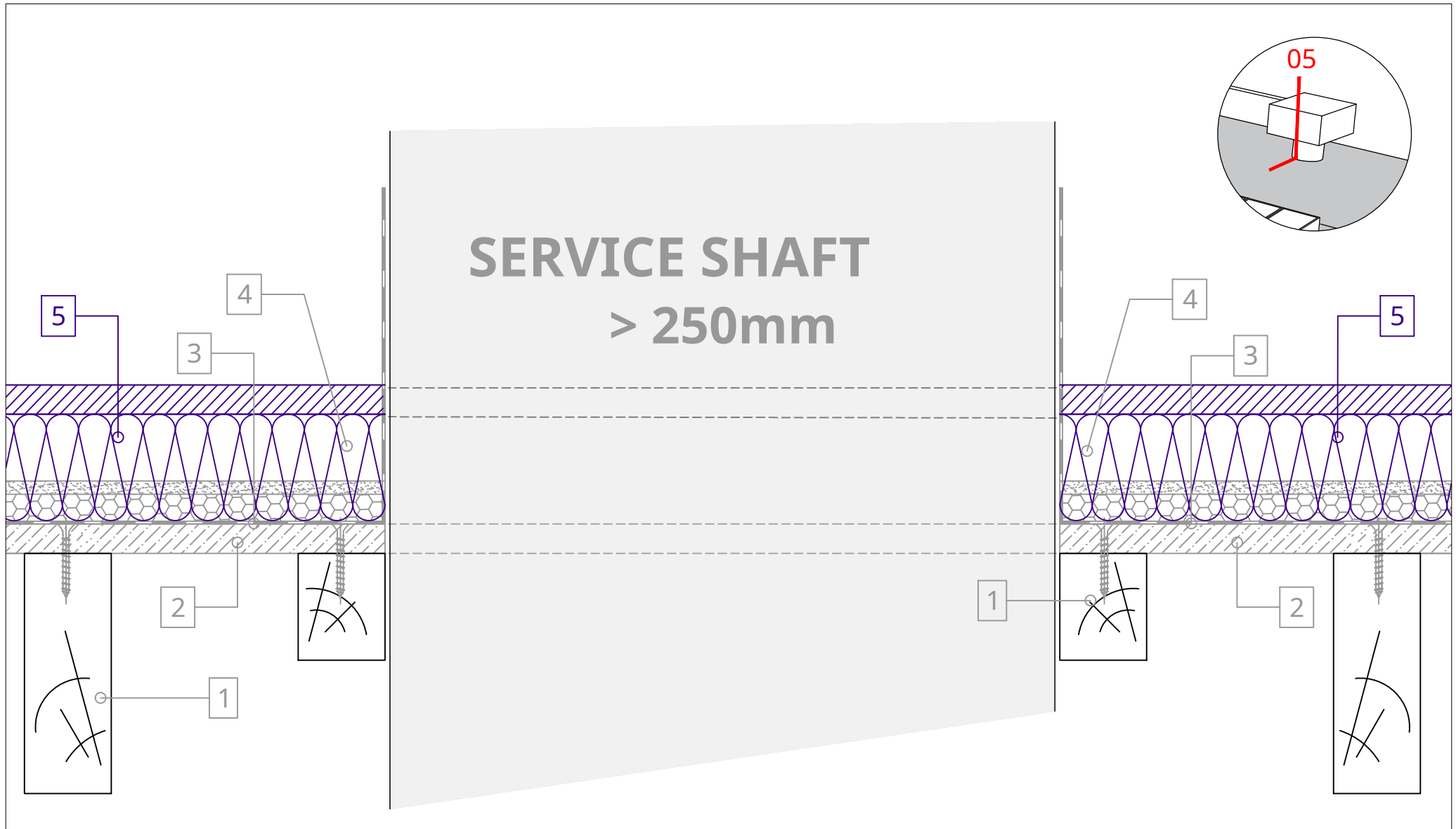


SERVICE SHAFT
> 250mm



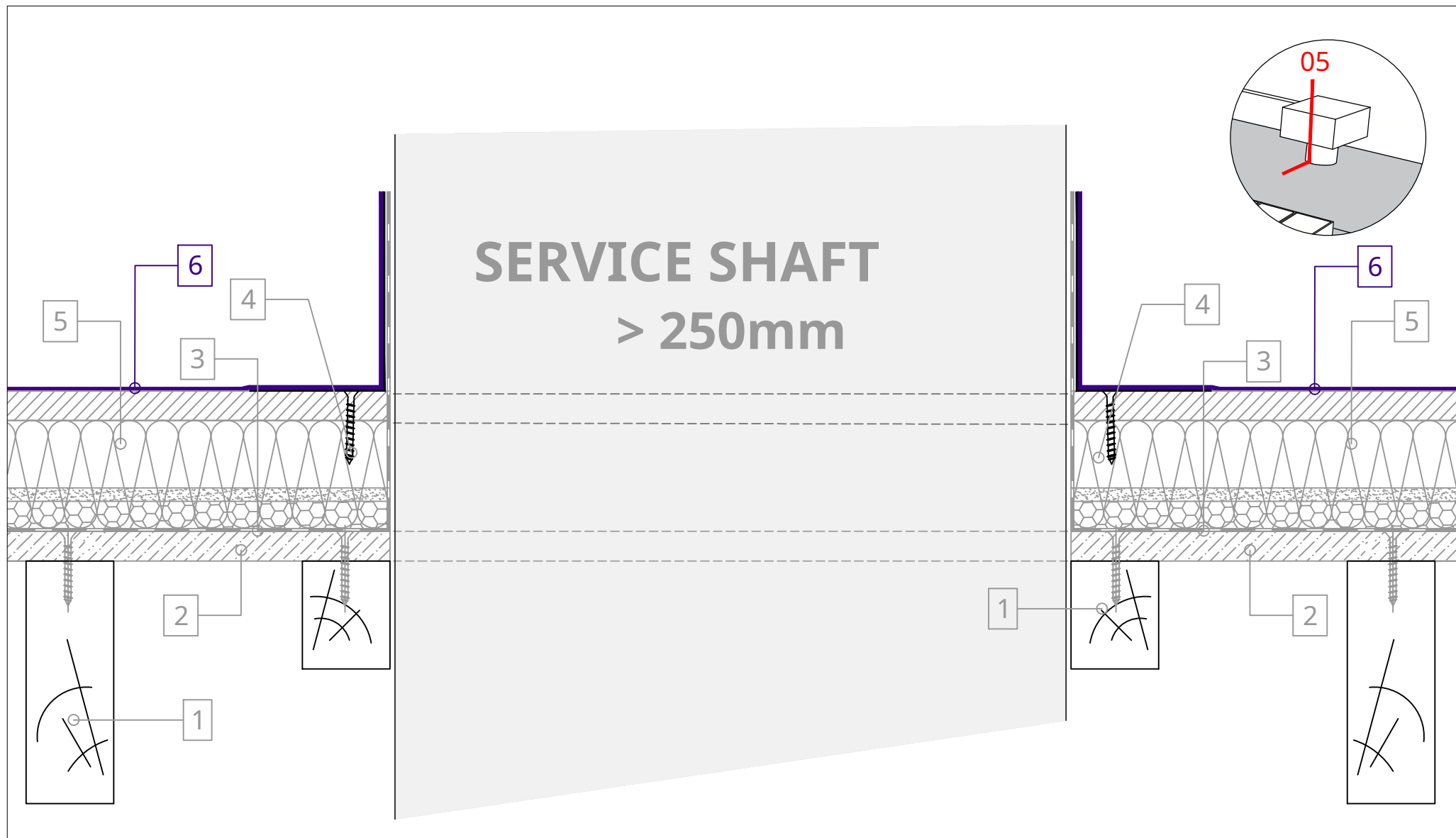
1. Supporting structure (frame) of the roof
2. P5 grooved/tongued chipboard, installation with alternate joints
3. Vapor barrier

4. PHONOTECH RD starting rule
5. PHONOTECH DK acoustic panels (600 x 1200 mm)
6. Waterproofing membrane



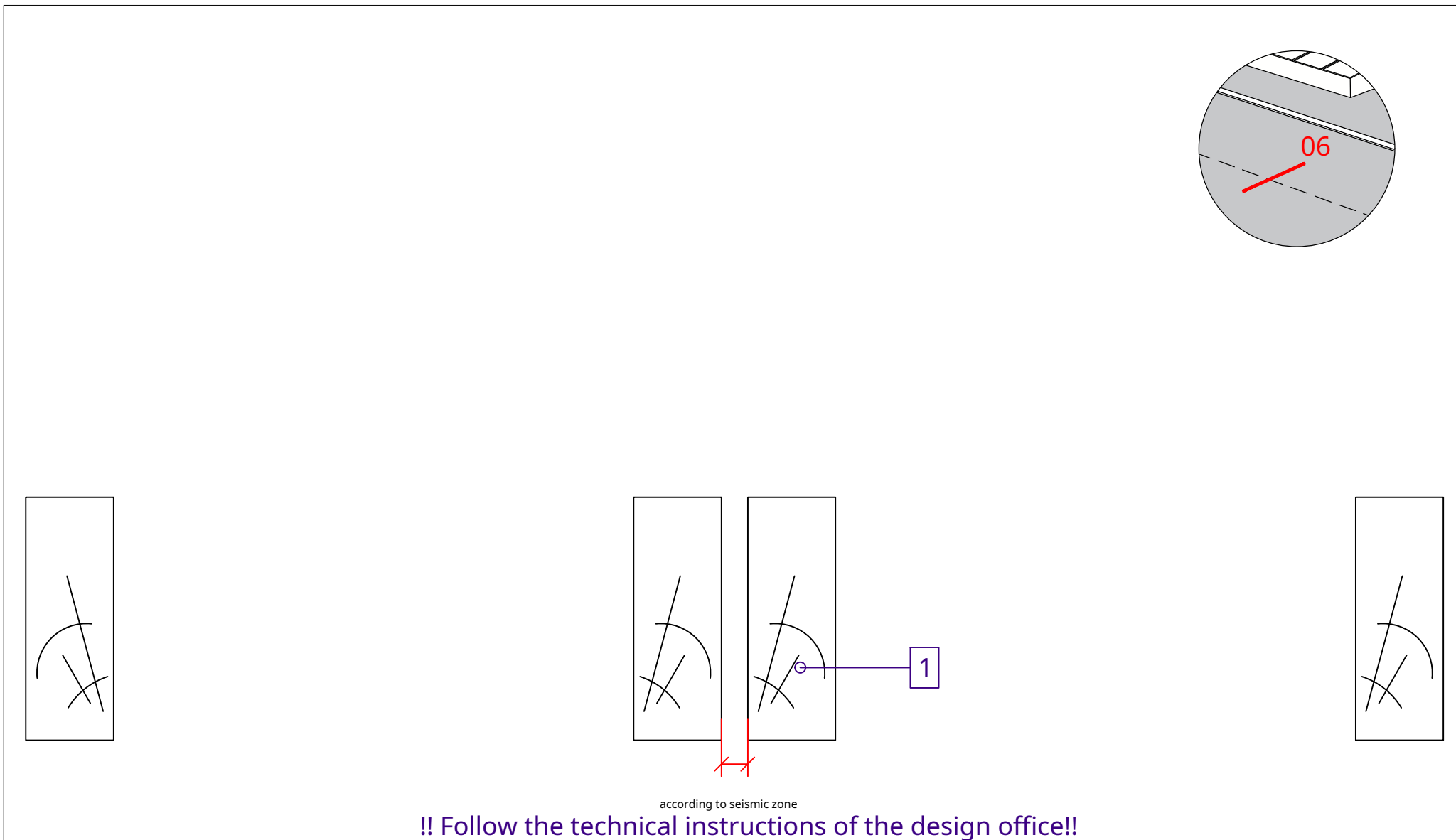
- 1. Supporting structure (frame) of the roof
- 2. P5 grooved/tongued chipboard, installation with alternate joints
- 3. Vapor barrier

- 4. PHONOTECH RD starting rule
- 5. PHONOTECH DK acoustic panels (600 x 1200 mm)
- 6. Waterproofing membrane



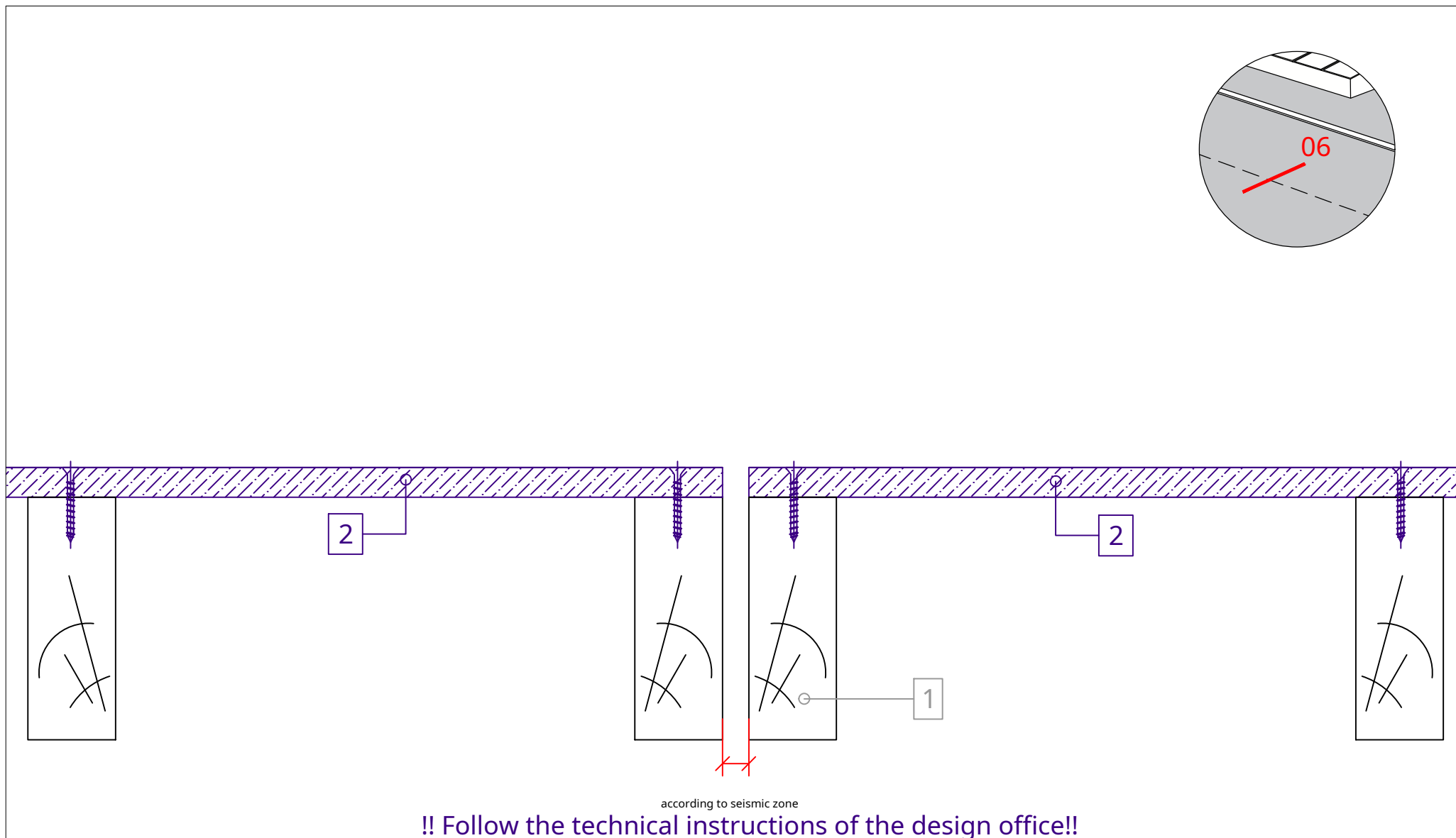
- 1. Supporting structure (frame) of the roof
- 2. P5 grooved/tongued chipboard, installation with alternate joints
- 3. Vapor barrier

- 4. PHONOTECH RD starting rule
- 5. PHONOTECH DK acoustic panels (600 x 1200 mm)
- 6. Waterproofing membrane



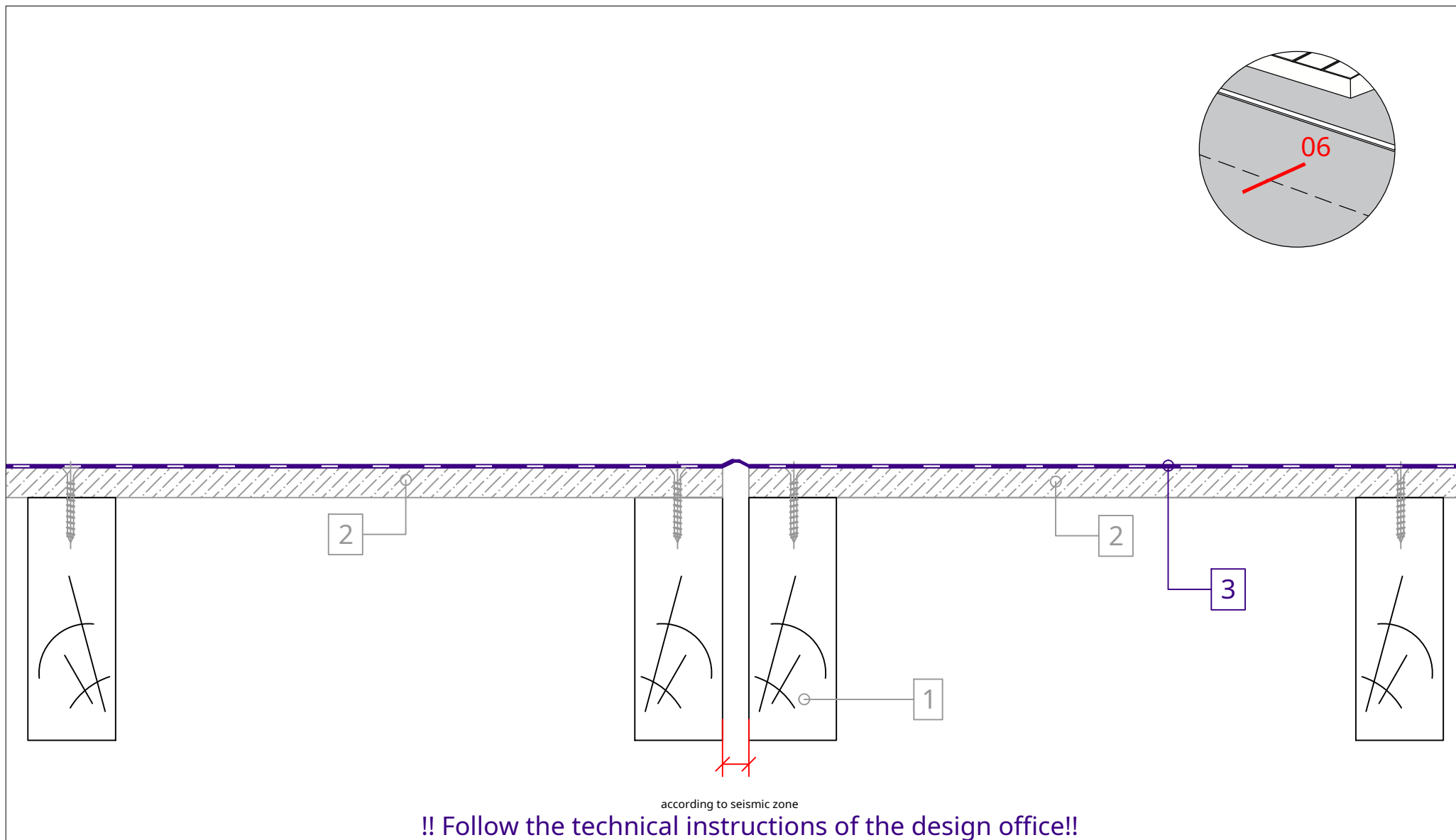
- 1. Supporting structure (frame) of the roof
- 2. P5 grooved/tongued chipboard, installation with alternate joints
- 3. Vapor barrier

- 4. PHONOTECH RD starting rule
- 5. PHONOTECH DK acoustic panels (600 x 1200 mm)
- 6. Waterproofing membrane



- 1. Supporting structure (frame) of the roof
- 2. P5 grooved/tongued chipboard, installation with alternate joints
- 3. Vapor barrier

- 4. PHONOTECH RD starting rule
- 5. PHONOTECH DK acoustic panels (600 x 1200 mm)
- 6. Waterproofing membrane

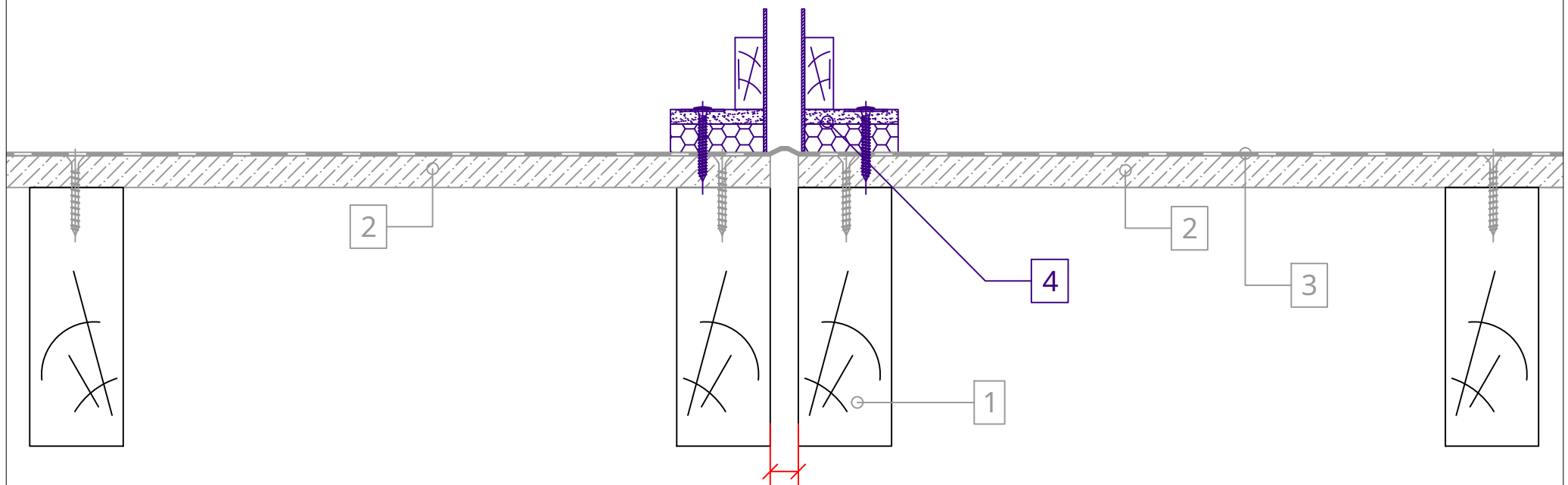
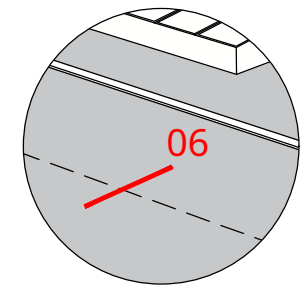


- 1. Supporting structure (frame) of the roof
- 2. P5 grooved/tongued chipboard, installation with alternate joints
- 3. Vapor barrier

- 4. PHONOTECH RD starting rule
- 5. PHONOTECH DK acoustic panels (600 x 1200 mm)
- 6. Waterproofing membrane



- Compress the mattress for tightening
- The last rule is to cut to size

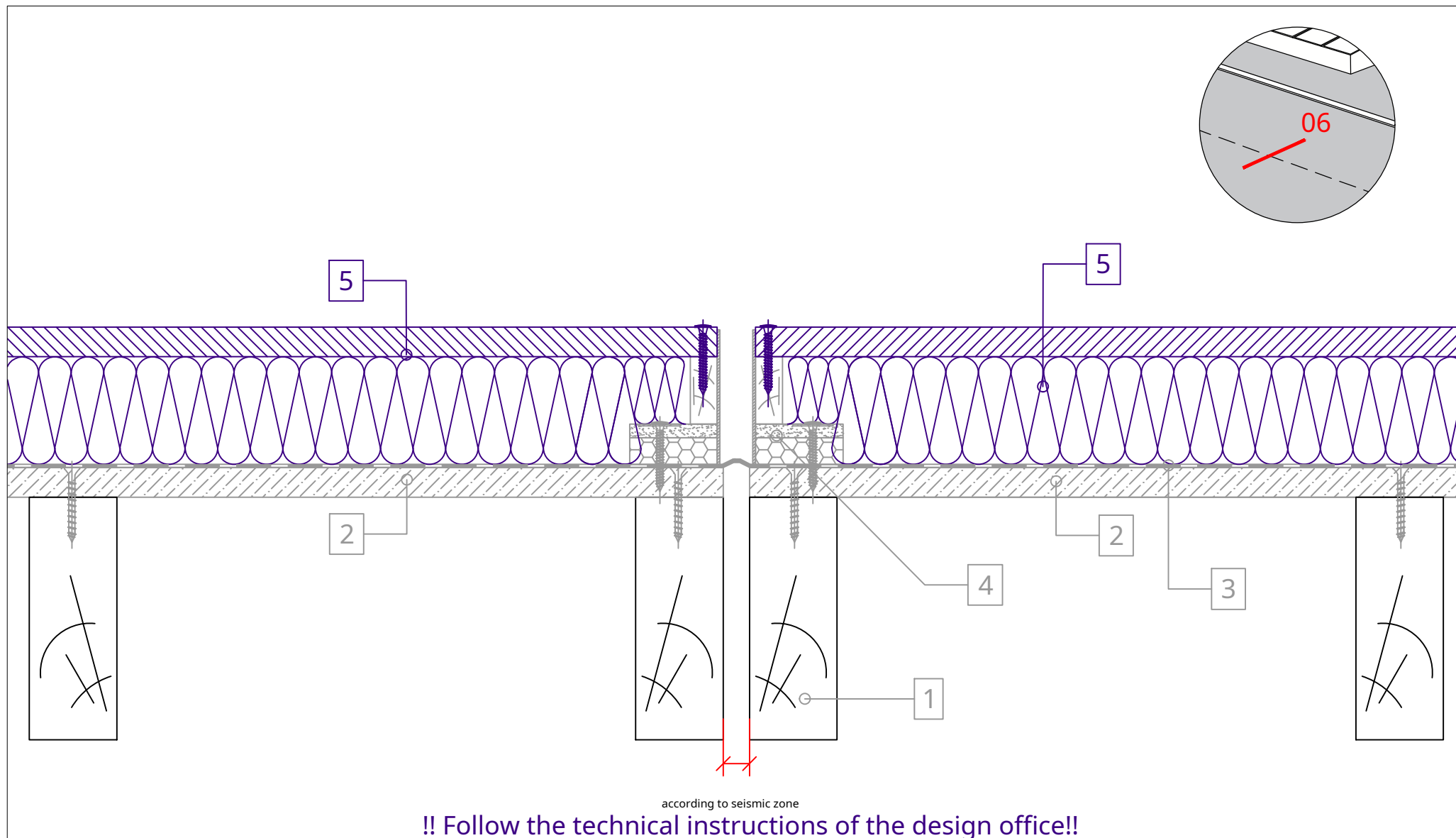


according to seismic zone

!! Follow the technical instructions of the design office!!

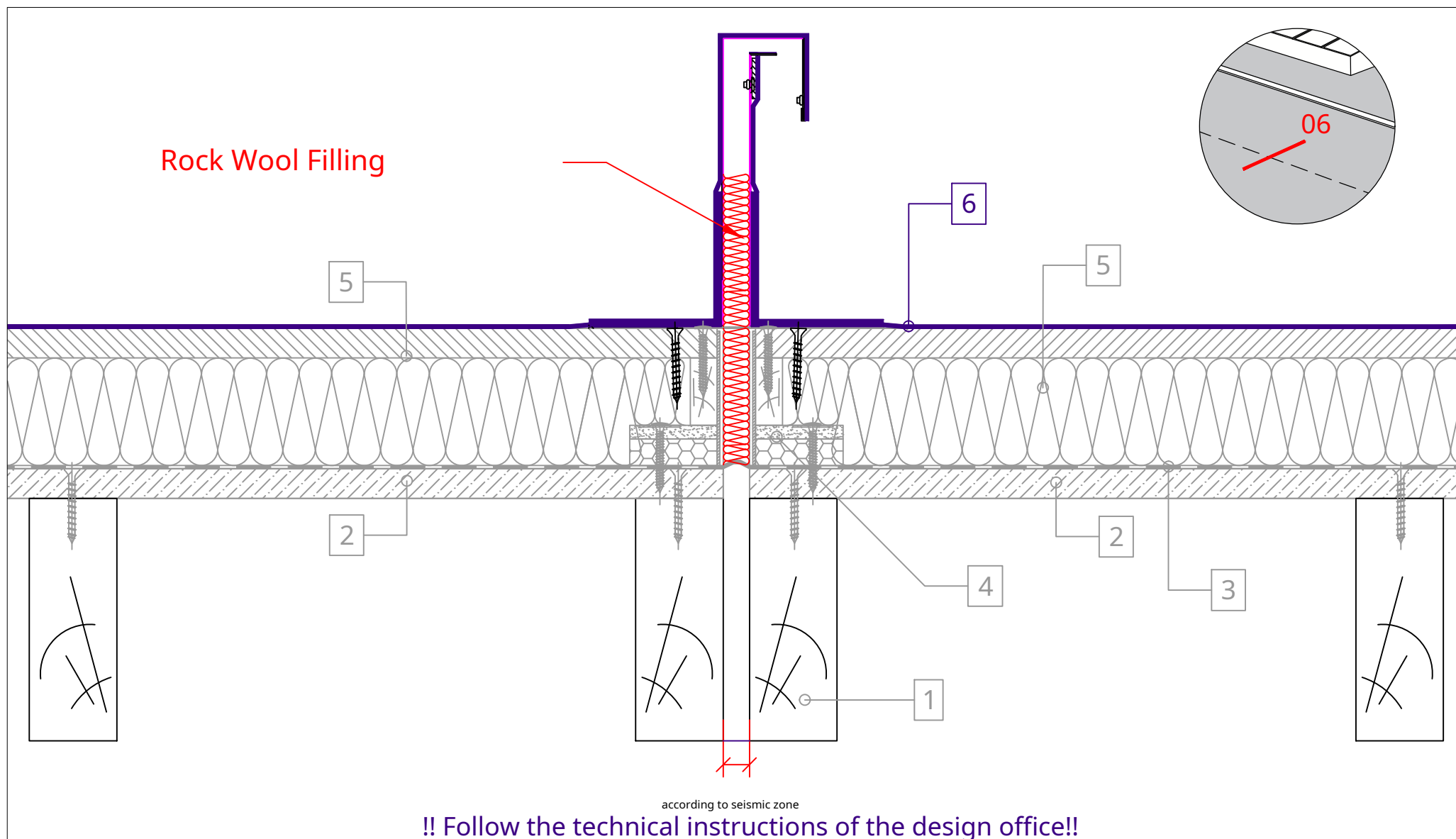
1. Supporting structure (frame) of the roof
2. P5 grooved/tongued chipboard, installation with alternate joints
3. Vapor barrier

4. PHONOTECH RD starting rule
5. PHONOTECH DK acoustic panels (600 x 1200 mm)
6. Waterproofing membrane



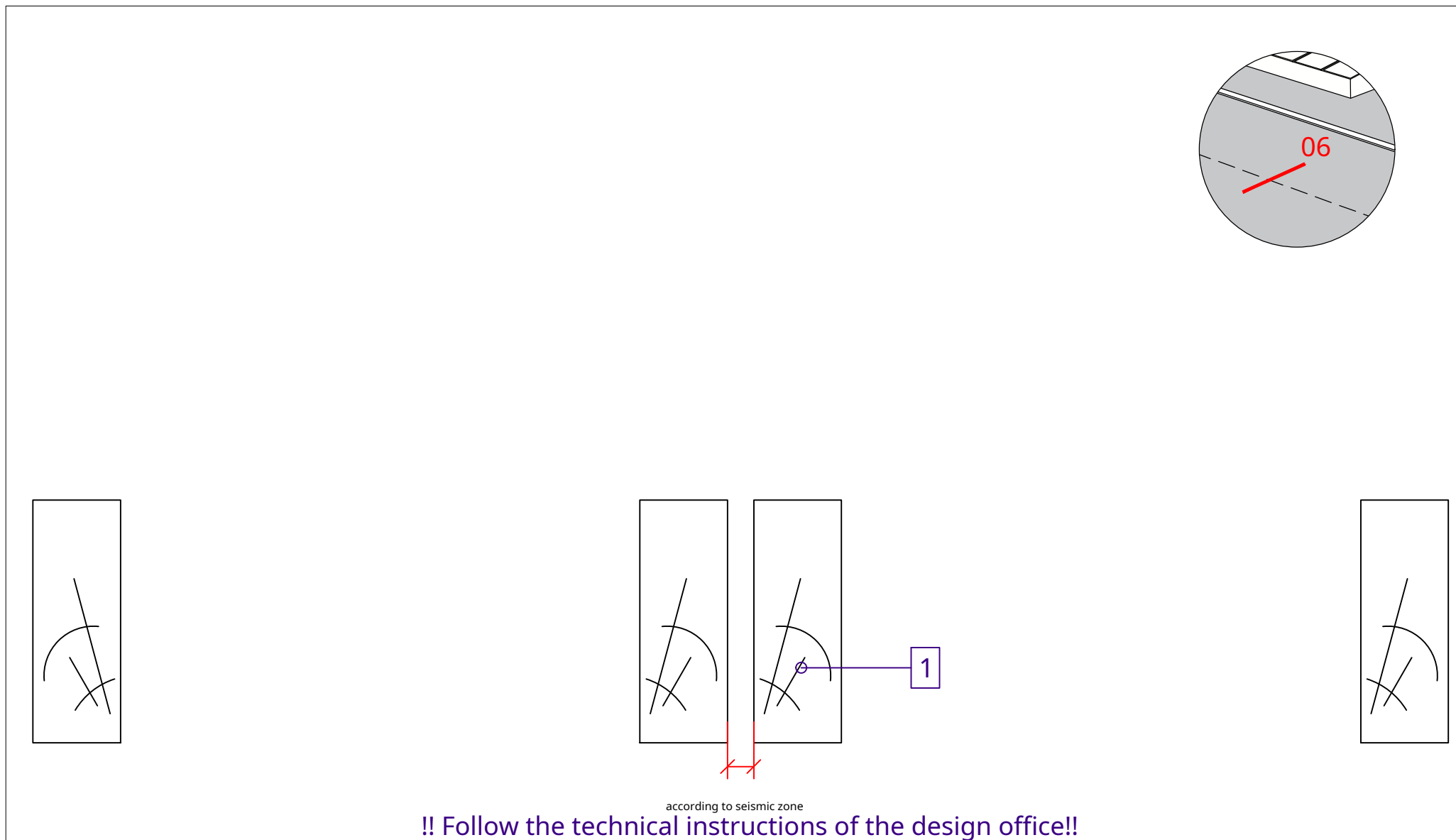
- 1. Supporting structure (frame) of the roof
- 2. P5 grooved/tongued chipboard, installation with alternate joints
- 3. Vapor barrier

- 4. PHONOTECH RD starting rule
- 5. PHONOTECH DK acoustic panels (600 x 1200 mm)
- 6. Waterproofing membrane



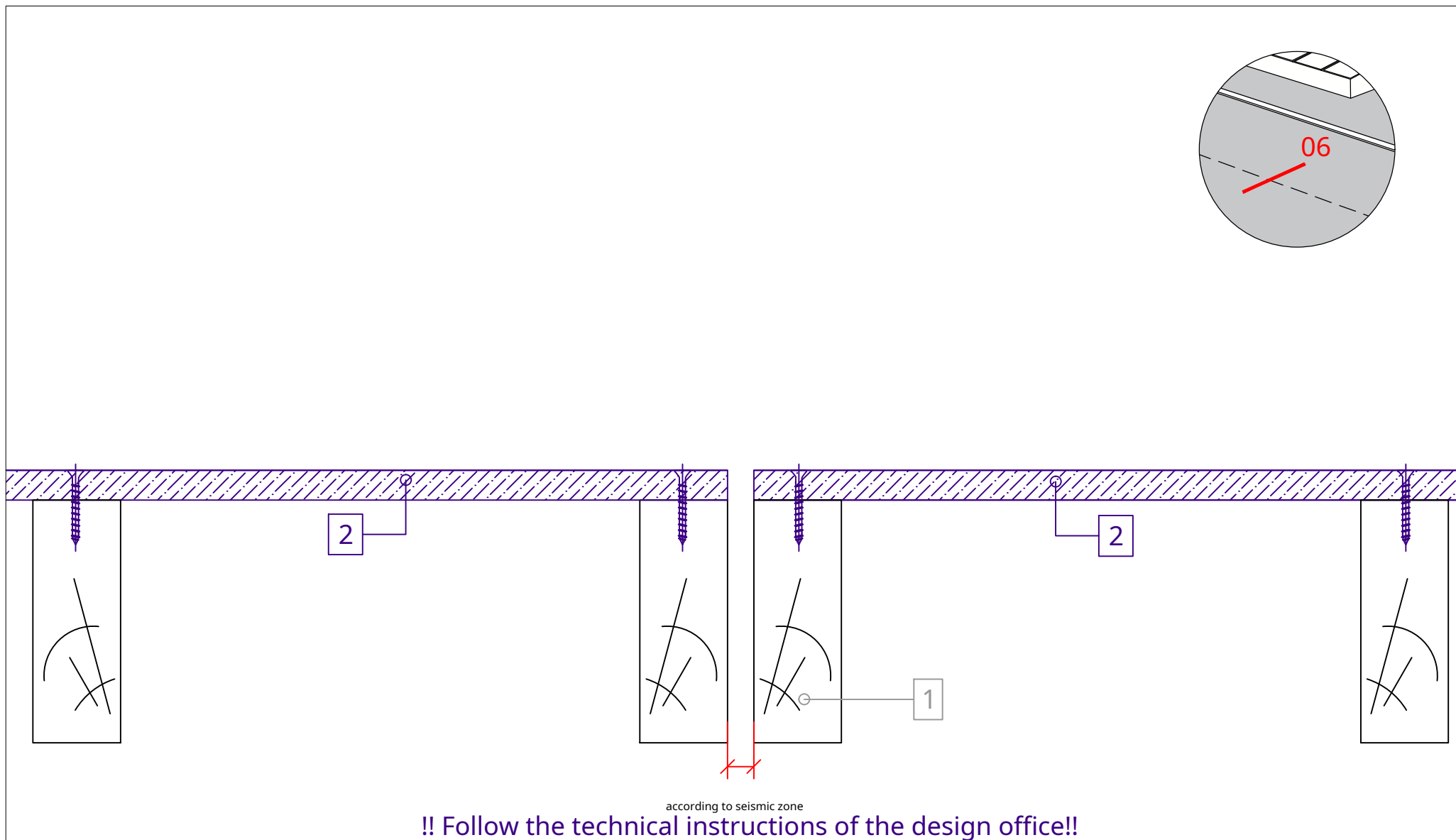
- 1. Supporting structure (frame) of the roof
- 2. P5 grooved/tongued chipboard, installation with alternate joints
- 3. Vapor barrier

- 4. PHONOTECH RD starting rule
- 5. PHONOTECH DK acoustic panels (600 x 1200 mm)
- 6. Waterproofing membrane



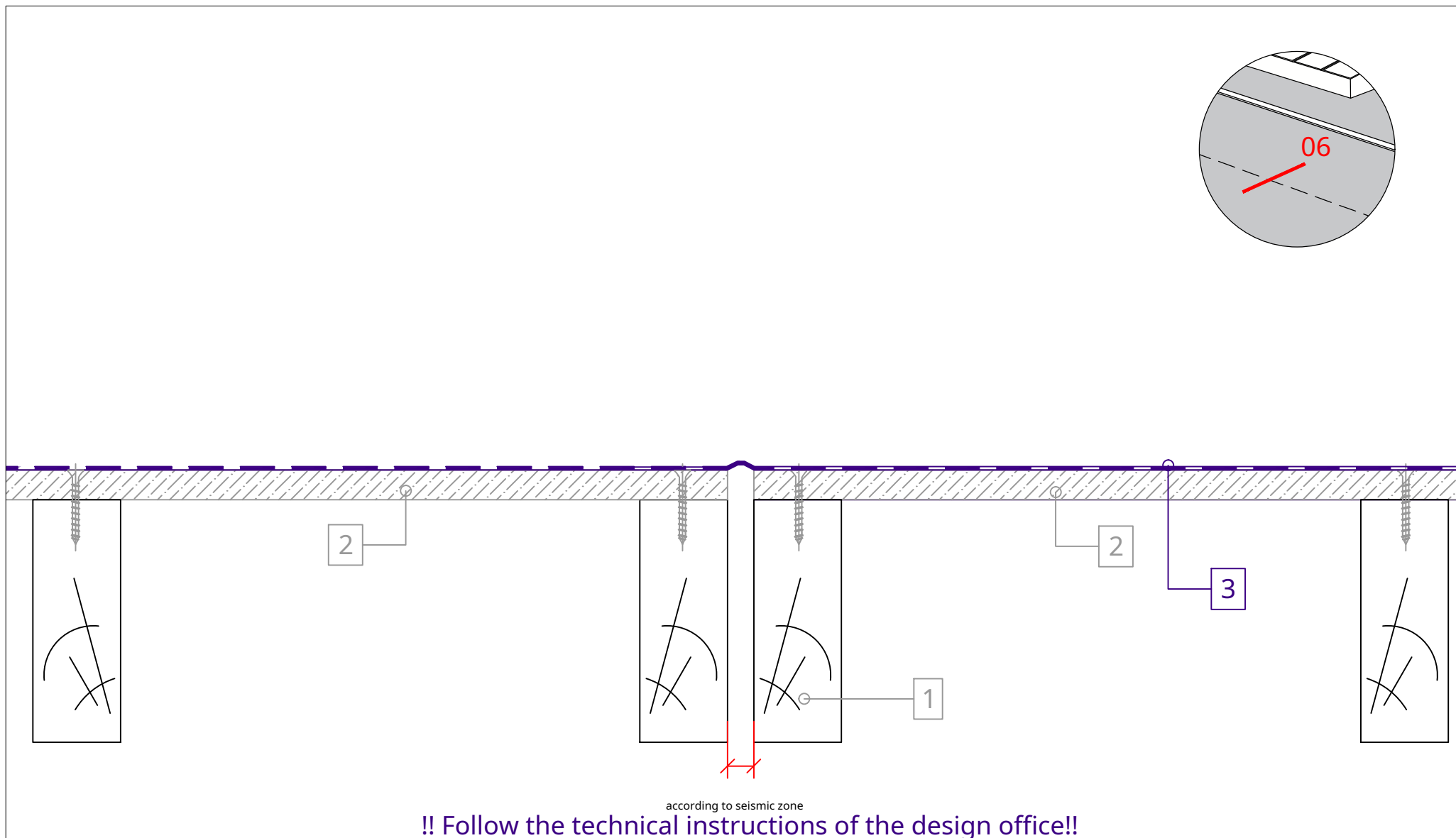
1. Supporting structure (frame) of the roof
2. P5 grooved/tongued chipboard, installation with alternate joints
3. Vapor barrier

4. PHONOTECH RD starting rule
5. PHONOTECH DK acoustic panels (600 x 1200 mm)
6. Waterproofing membrane



- 1. Supporting structure (frame) of the roof
- 2. P5 grooved/tongued chipboard, installation with alternate joints
- 3. Vapor barrier

- 4. PHONOTECH RD starting rule
- 5. PHONOTECH DK acoustic panels (600 x 1200 mm)
- 6. Waterproofing membrane

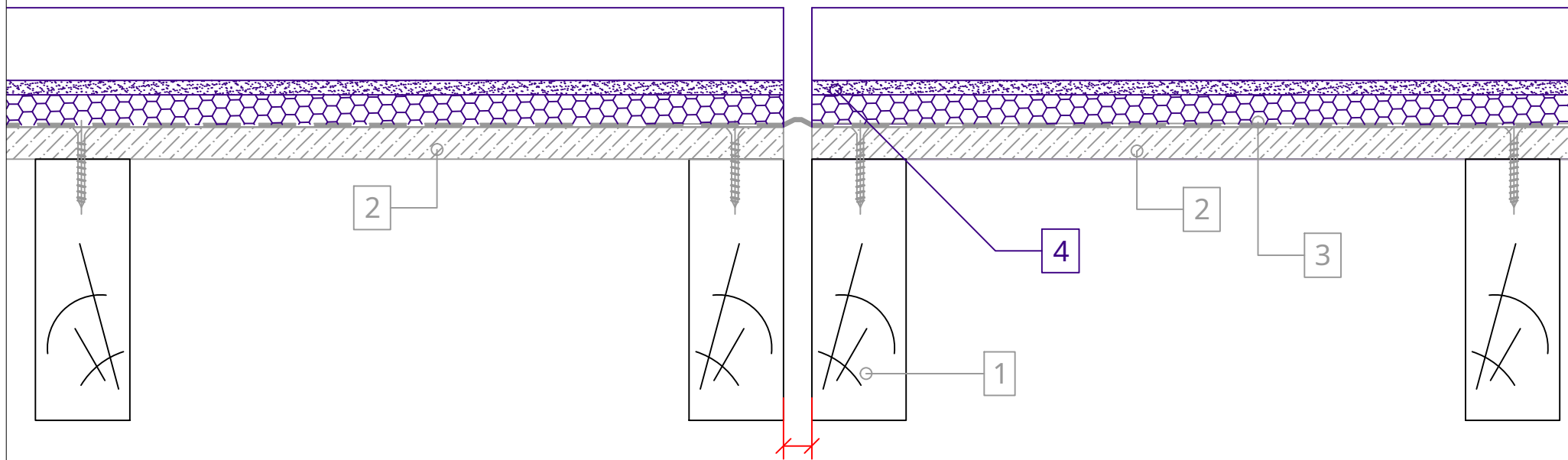
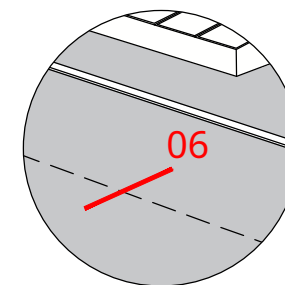


- 1. Supporting structure (frame) of the roof
- 2. P5 grooved/tongued chipboard, installation with alternate joints
- 3. Vapor barrier

- 4. PHONOTECH RD starting rule
- 5. PHONOTECH DK acoustic panels (600 x 1200 mm)
- 6. Waterproofing membrane



*- Compress the mattress for tightening
- The last rule is to cut to size*

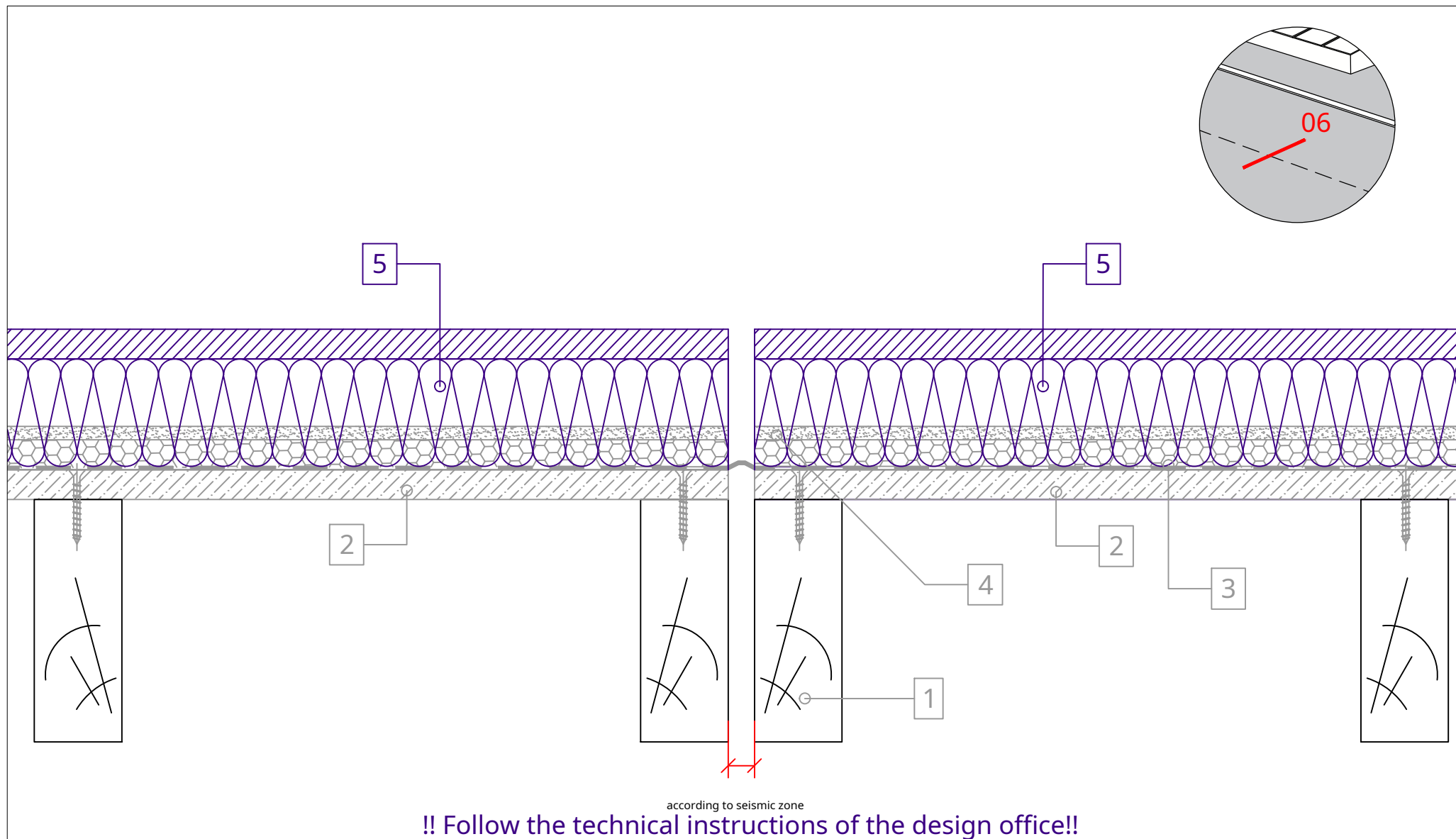


according to seismic zone

!! Follow the technical instructions of the design office!!

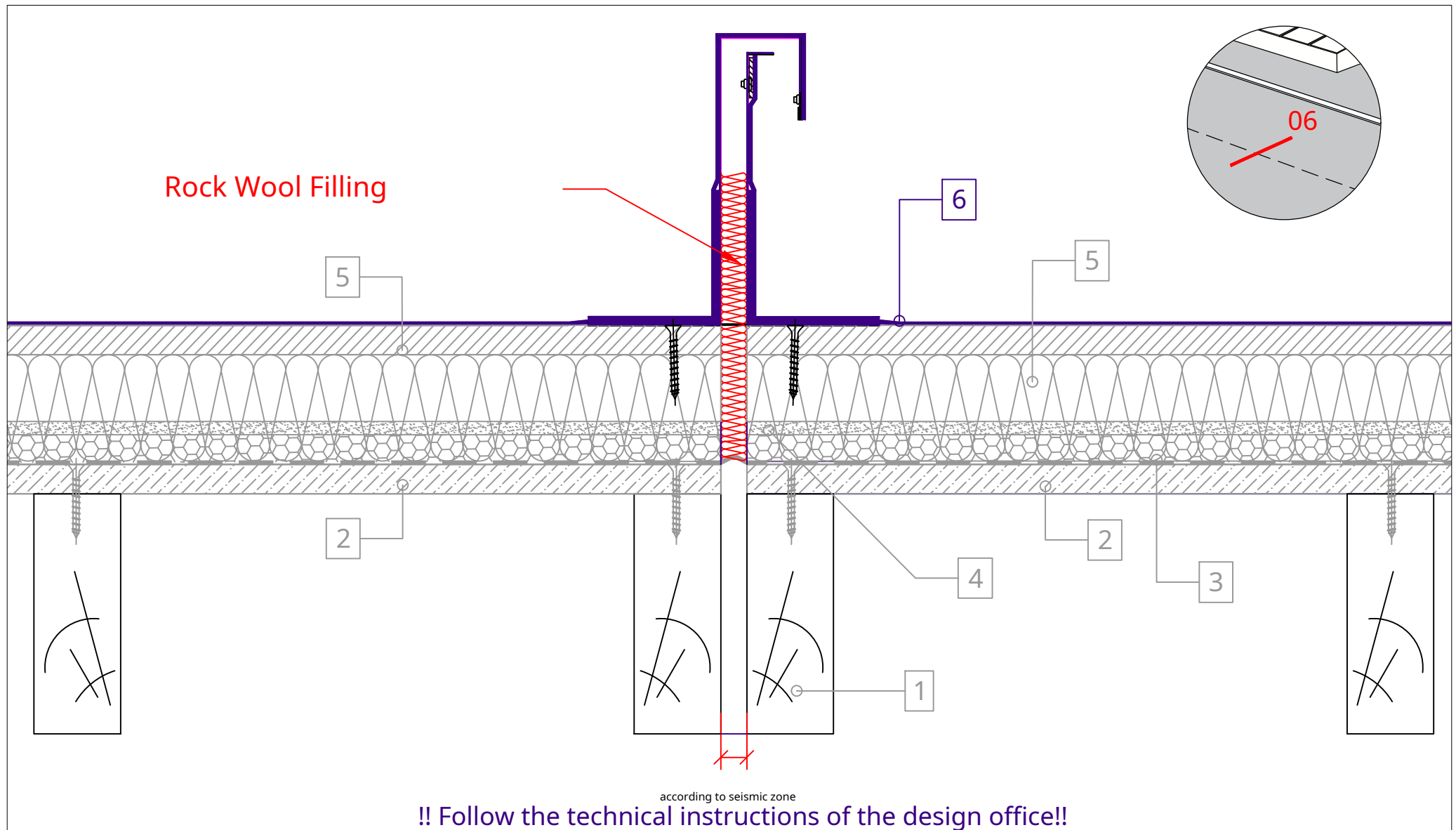
- 1. Supporting structure (frame) of the roof
- 2. P5 grooved/tongued chipboard, installation with alternate joints
- 3. Vapor barrier

- 4. PHONOTECH RD starting rule
- 5. PHONOTECH DK acoustic panels (600 x 1200 mm)
- 6. Waterproofing membrane



- 1. Supporting structure (frame) of the roof
- 2. P5 grooved/tongued chipboard, installation with alternate joints
- 3. Vapor barrier

- 4. PHONOTECH RD starting rule
- 5. PHONOTECH DK acoustic panels (600 x 1200 mm)
- 6. Waterproofing membrane



- 1. Supporting structure (frame) of the roof
- 2. P5 grooved/tongued chipboard, installation with alternate joints
- 3. Vapor barrier

- 4. PHONOTECH RD starting rule
- 5. PHONOTECH DK acoustic panels (600 x 1200 mm)
- 6. Waterproofing membrane